

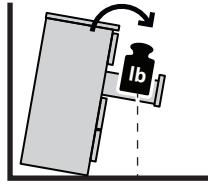
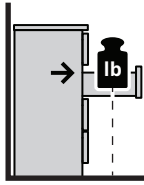
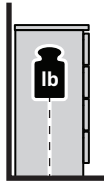
Chest of drawer wall anchoring (interlock/unlock) template for LG NA, AA-2303856-1

Template is valid only for interlock with INCLUDED PLUG



Design and Quality
IKEA of Sweden

These symbols shall be placed on each text page.



English

WARNING!

Children have died from furniture tipover. To reduce the risk of furniture tipover:

- ALWAYS install tipover restraint provided.
- NEVER put a TV on this product.
- NEVER allow children to stand, climb or hang on drawers, doors or shelves.
- NEVER open more than one drawer at a time.
- DO NOT defeat or remove the drawer interlock system.
- Place heaviest items in the lowest drawers.

Symbol ID: 0619629

Should be added to Visual Object order.

Example text

One of this warning text should be added to Visual Object order.

Text name: **Child safety: tipover warning ASTM1**

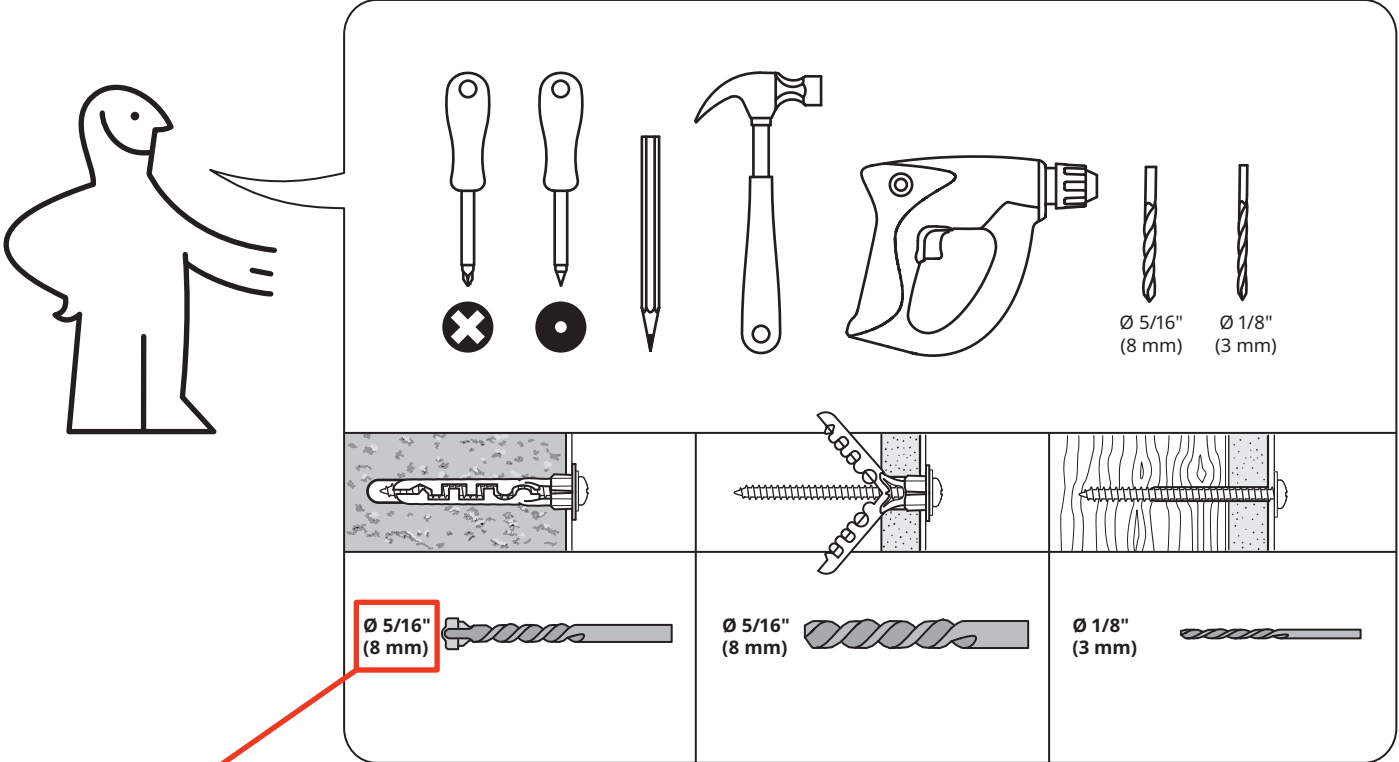
Text ID: 000001864



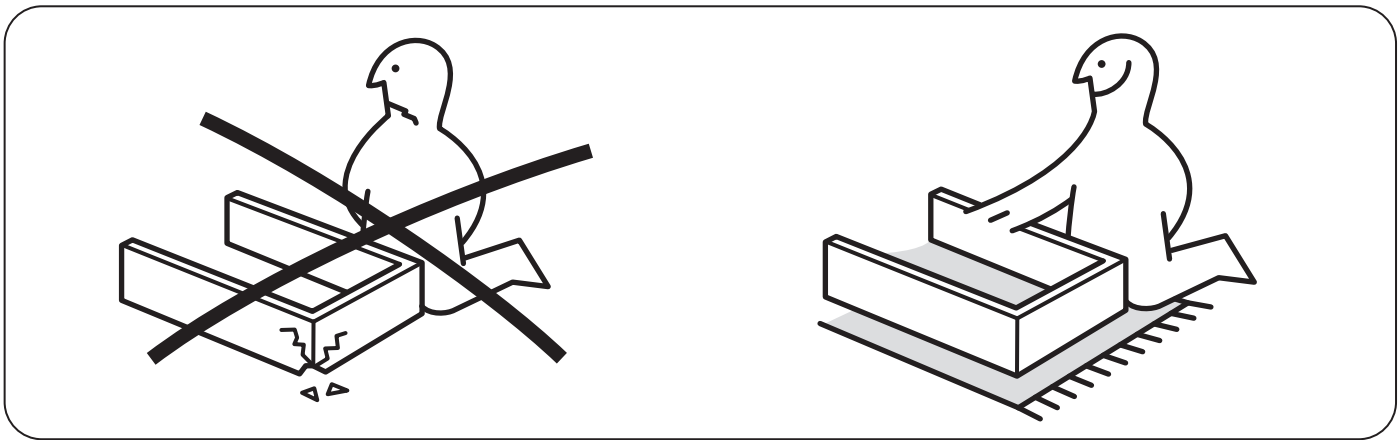
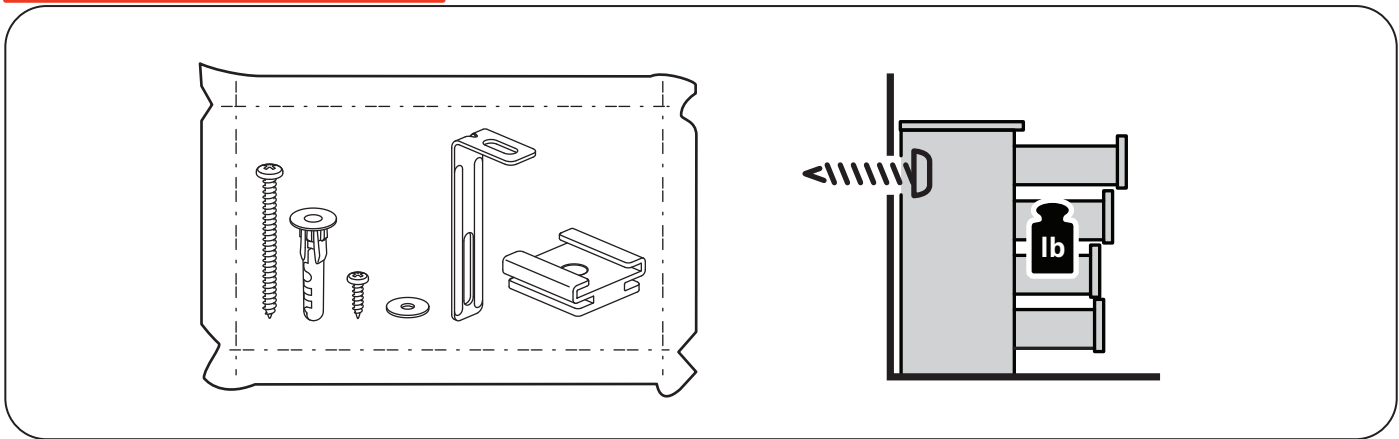
Text name: **Child safety: tipover warning ASTM3**

Text ID: 000001866

These tools are required for the wall attachment.



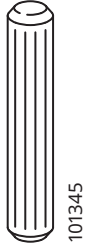
Inch first in LG NA



1



14x



22x



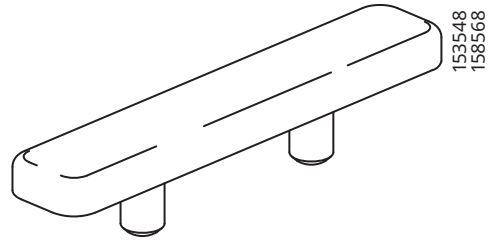
4x



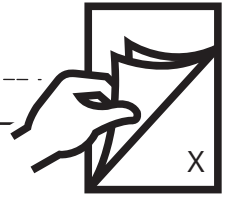
18x

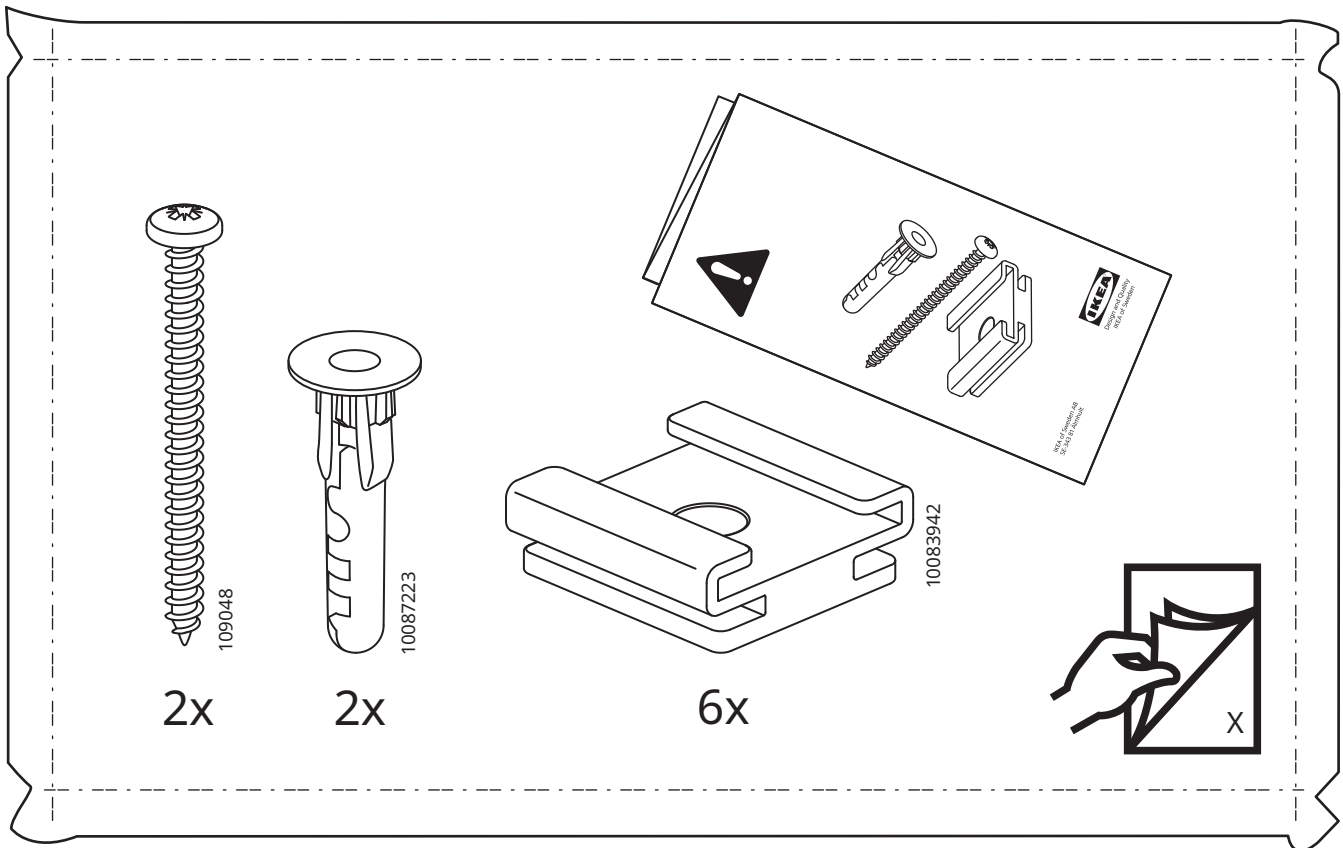
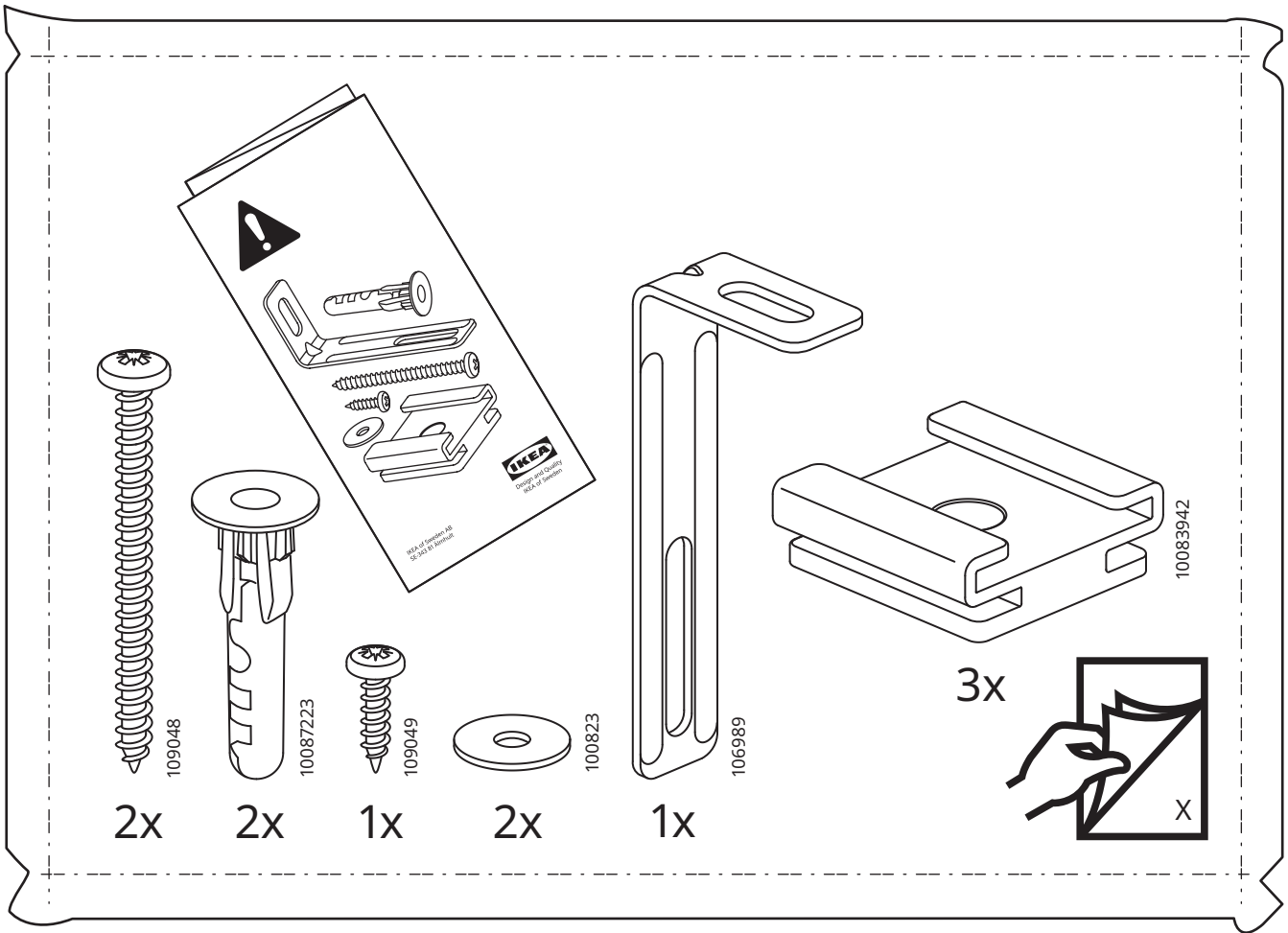


14x



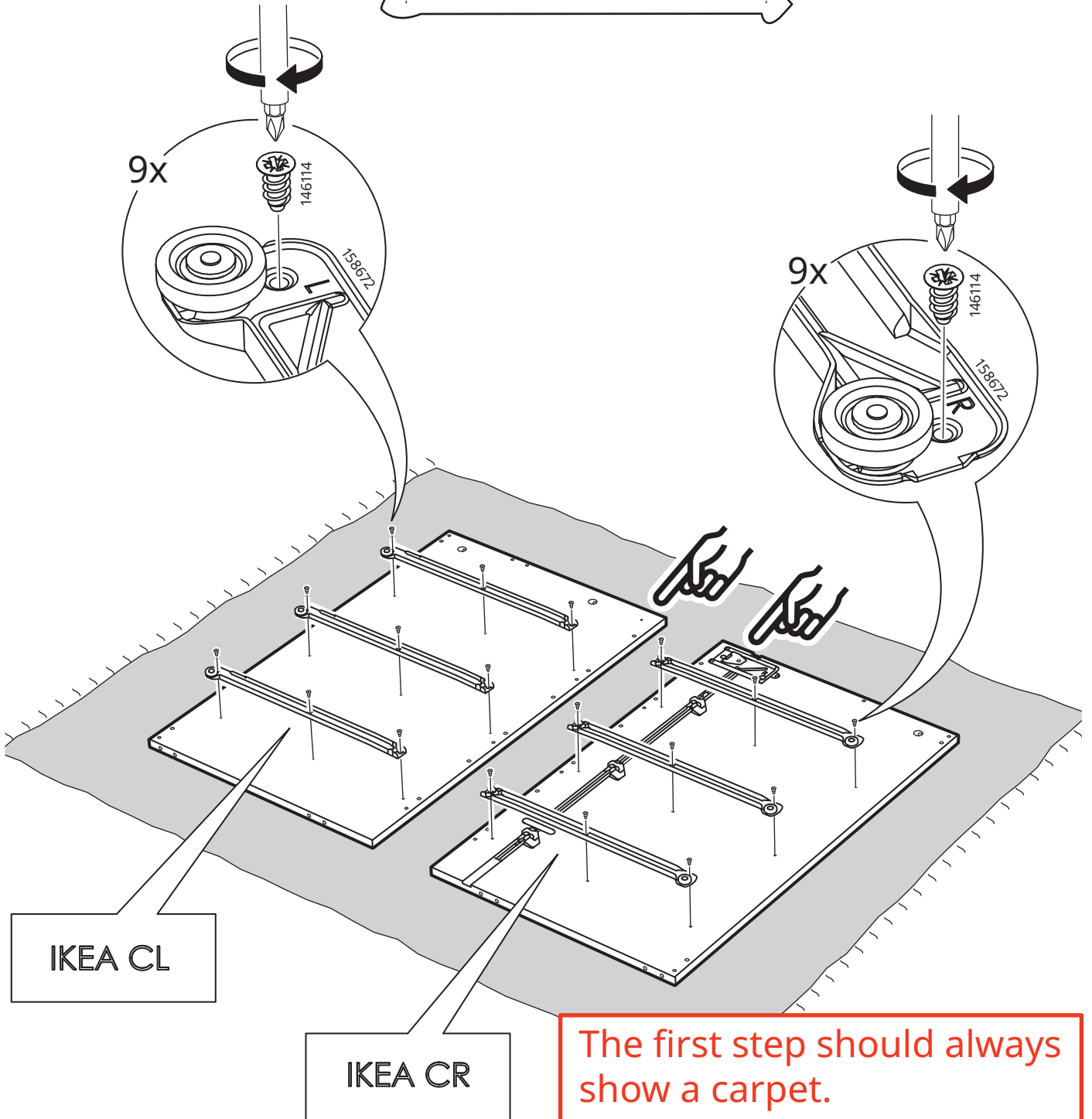
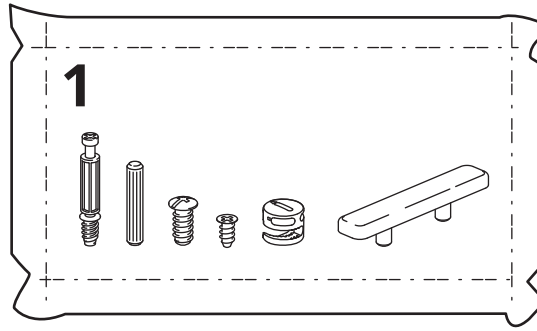
5x



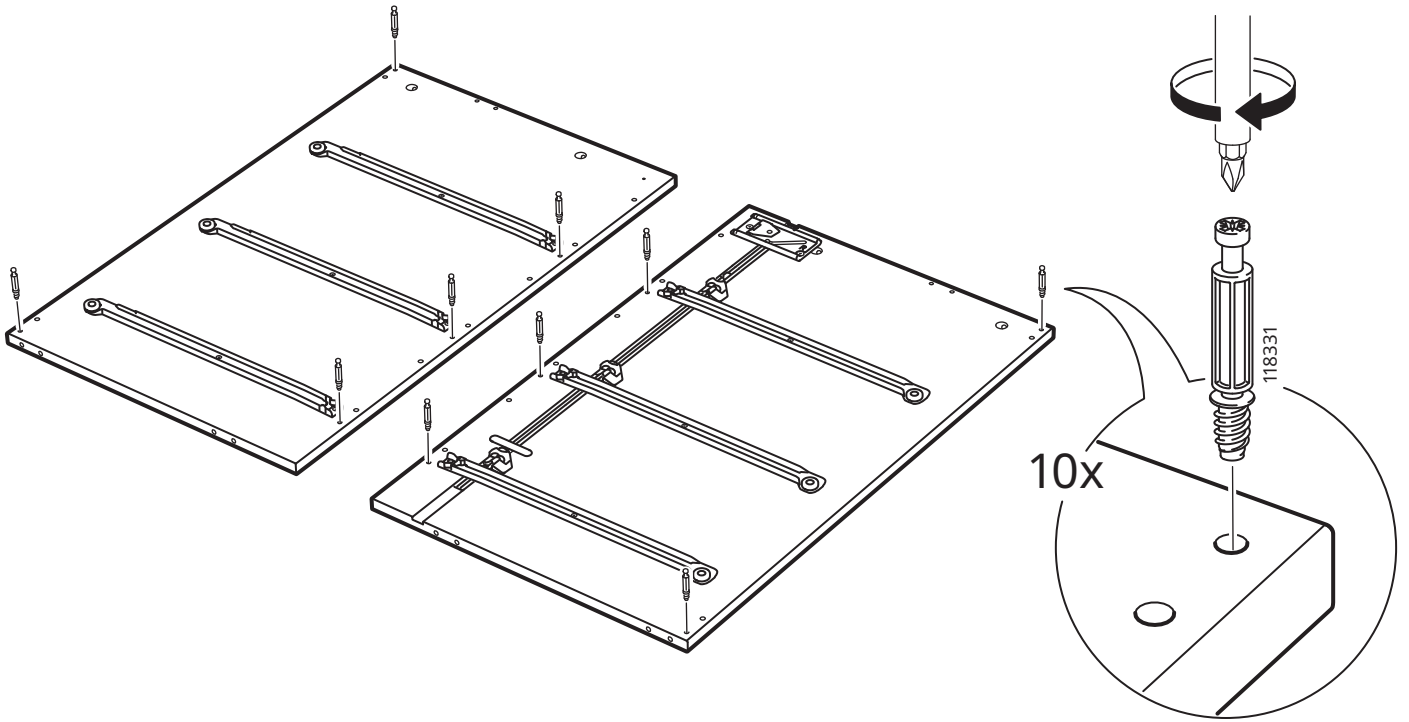


With this kit, remove step 3, 21 and 26. 2x on step 20 and 25.

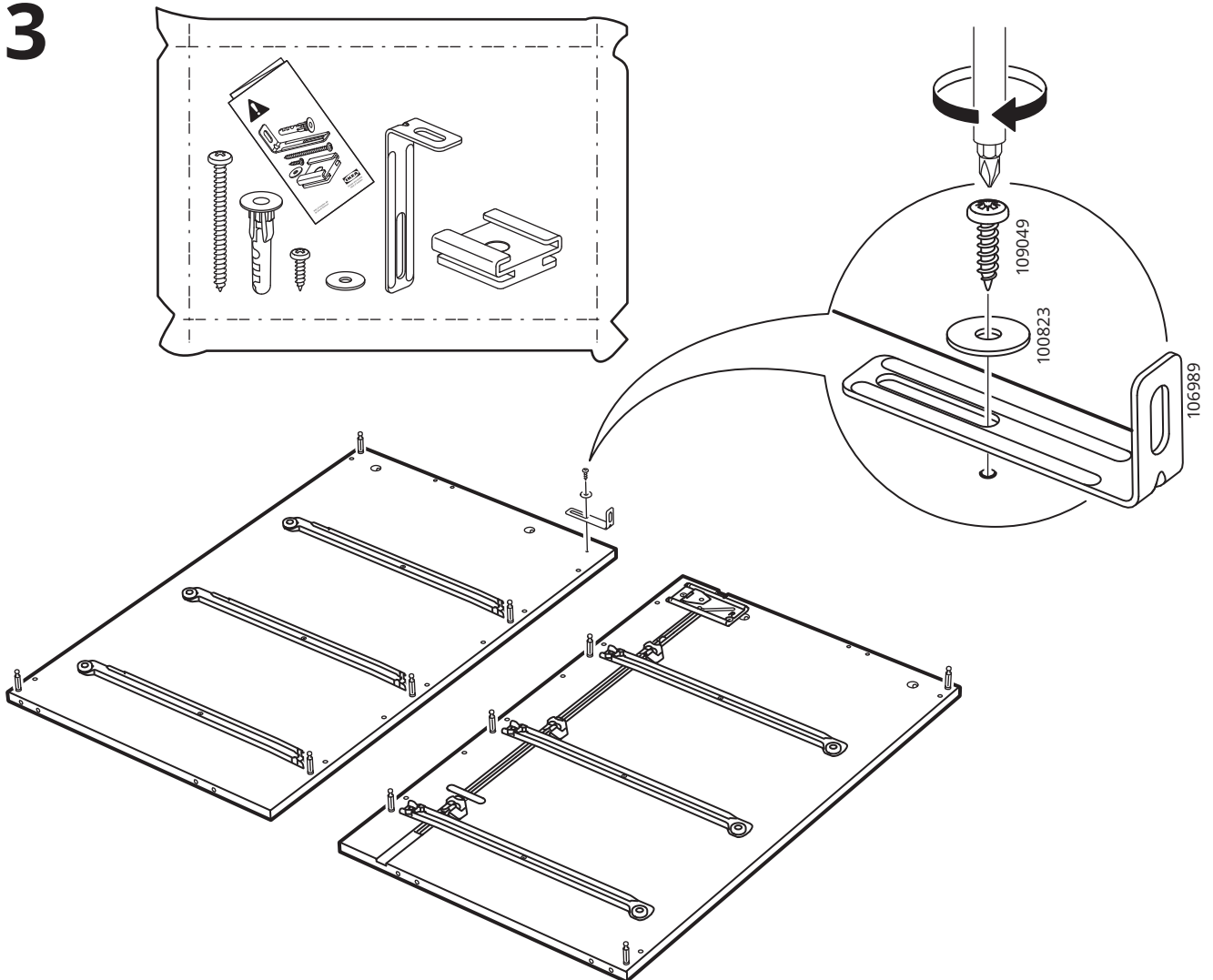
1



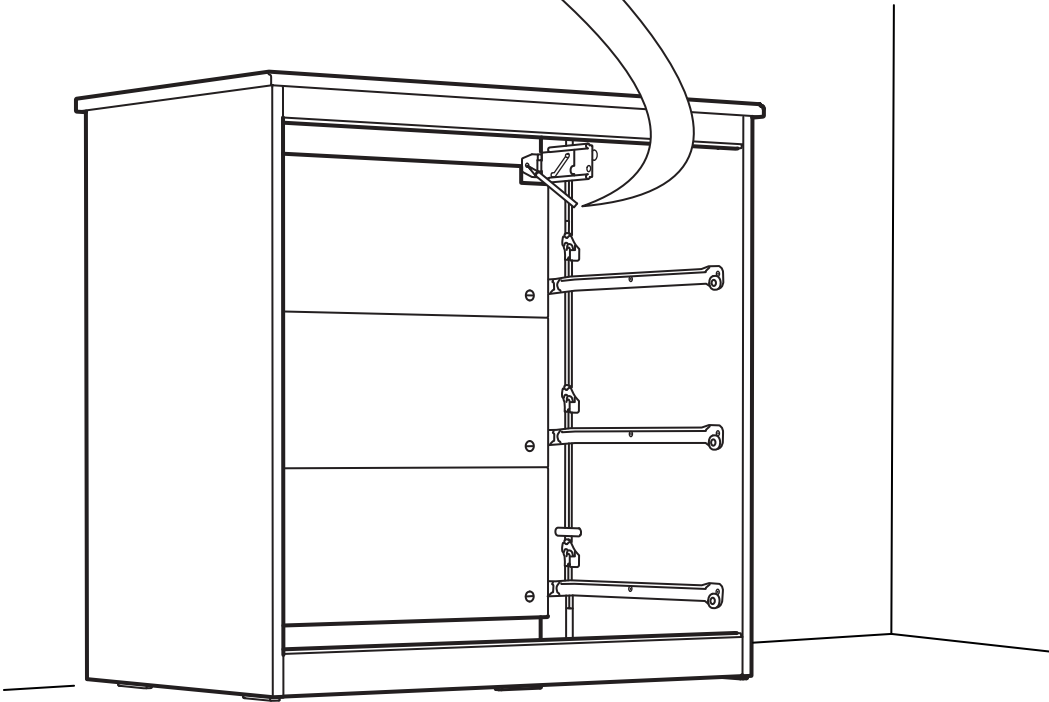
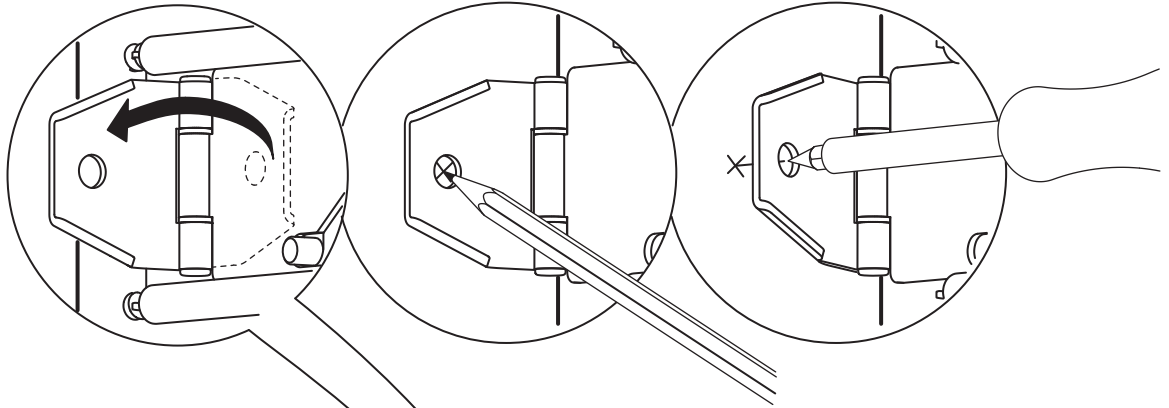
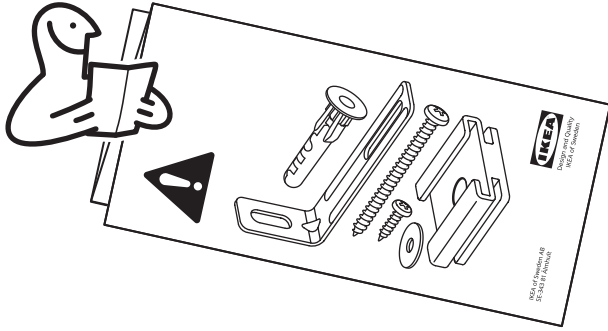
2



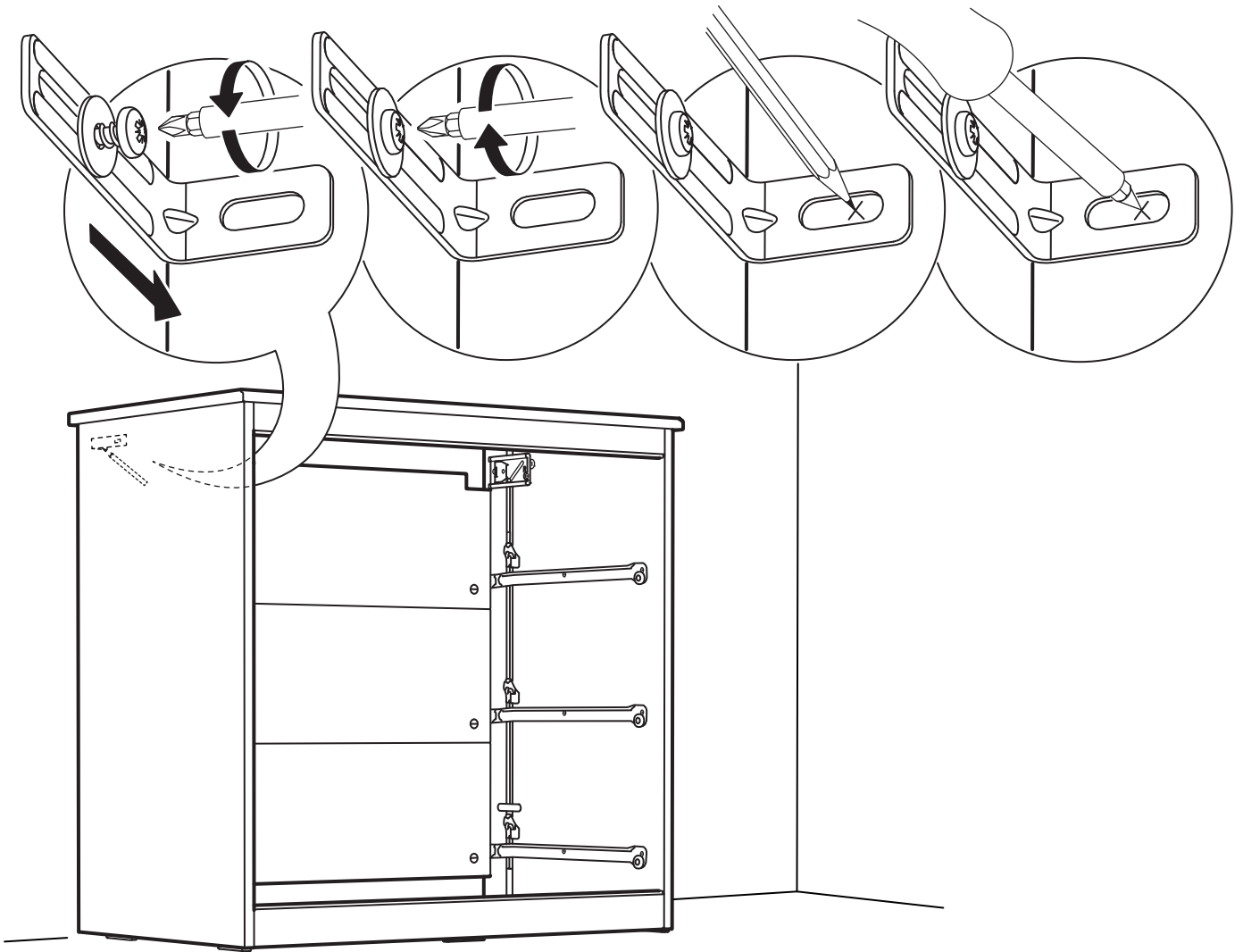
3



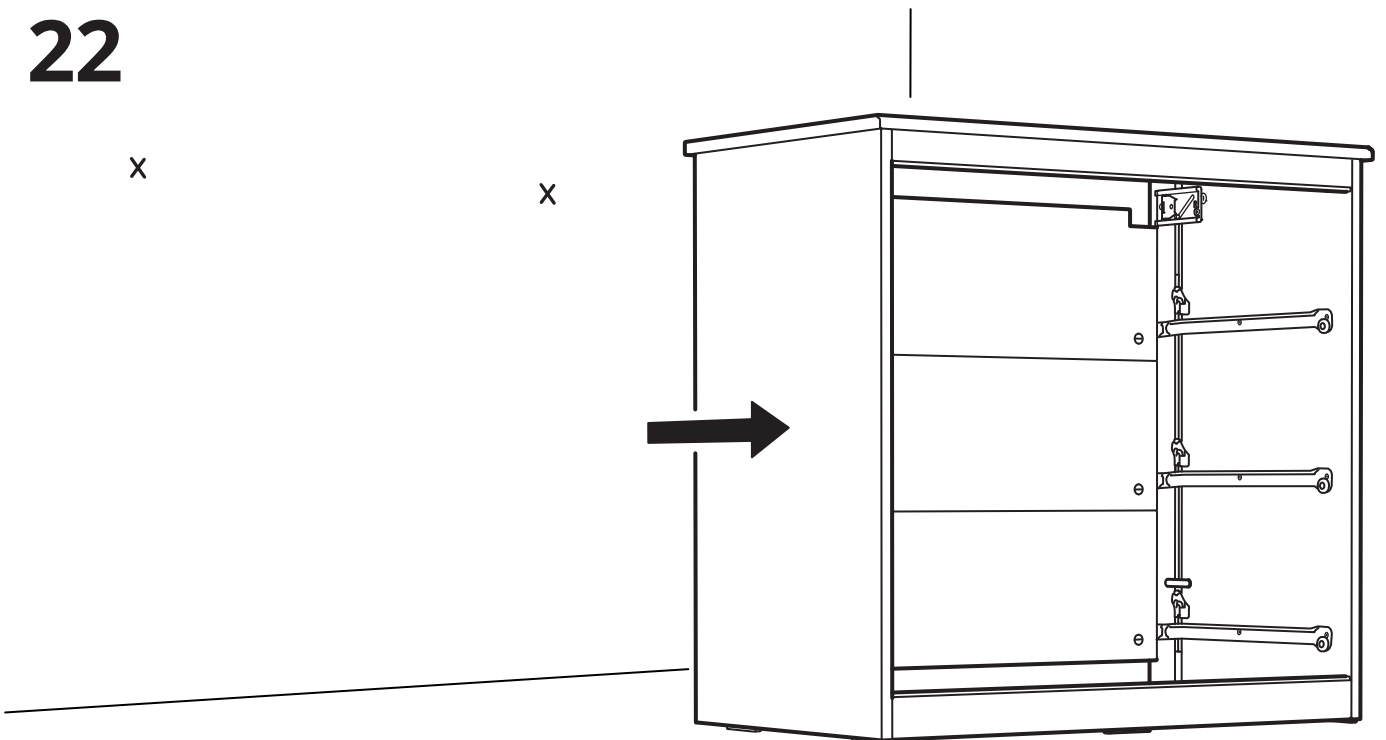
Assemble frame, step 4 to step 19.



21

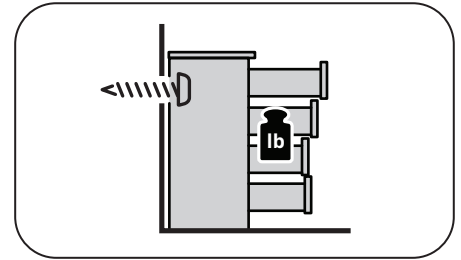


22





www.IKEA.com/secure-it



23

English

The screw(s) and plug(s) supplied can be used with most solid (A) and hollow (B) walls. For solid wood (C) use the screw(s) without plug(s). If you are uncertain, seek professional advice.

Text name: Screw(s) and plug(s) supplied

Text ID: 000001951

Should be added to Visual Object order.

A

Ø 5/16" (8 mm)

1 **Inch first in NA**

2

2 3/4" (70 mm)

3

B

Ø 5/16" (8 mm)

1

2

≈ 1 1/4" (≈ 30 mm)

3

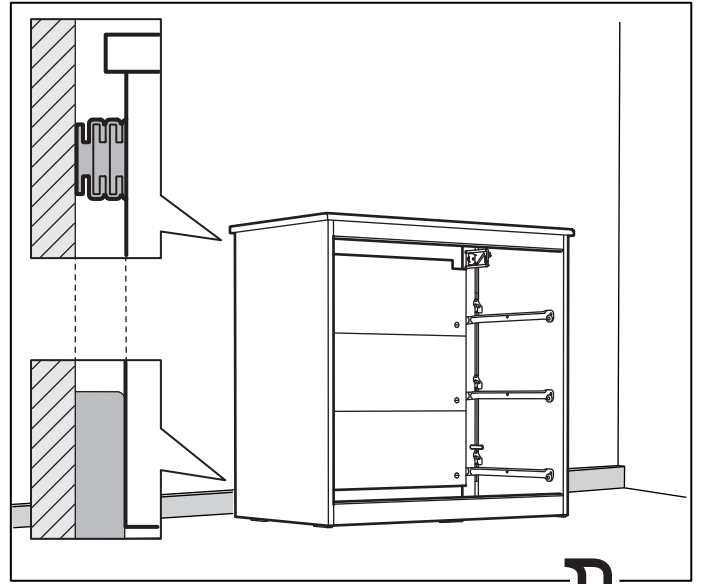
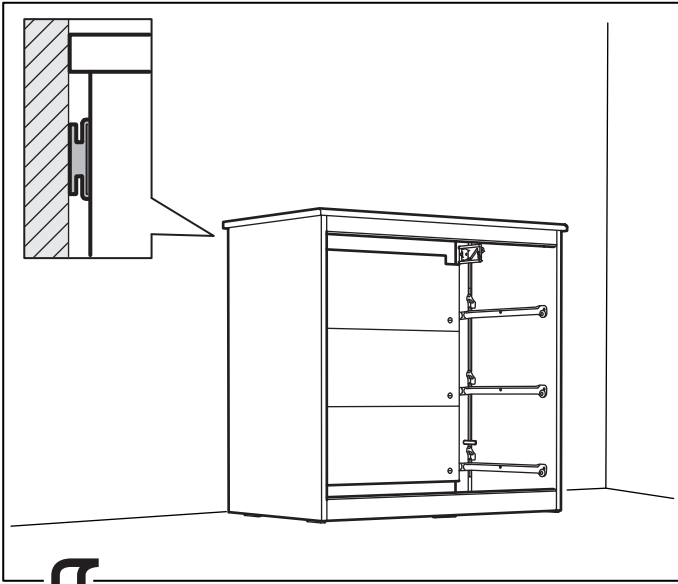
C

Ø 1/8" (3 mm)

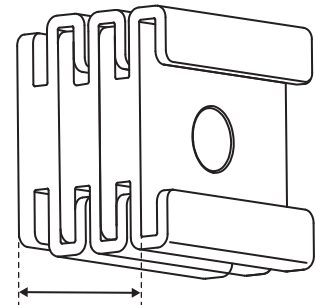
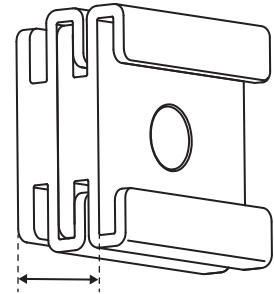
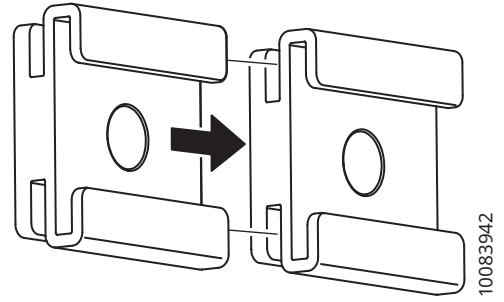
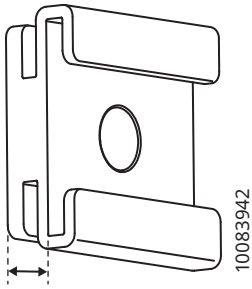
1

2

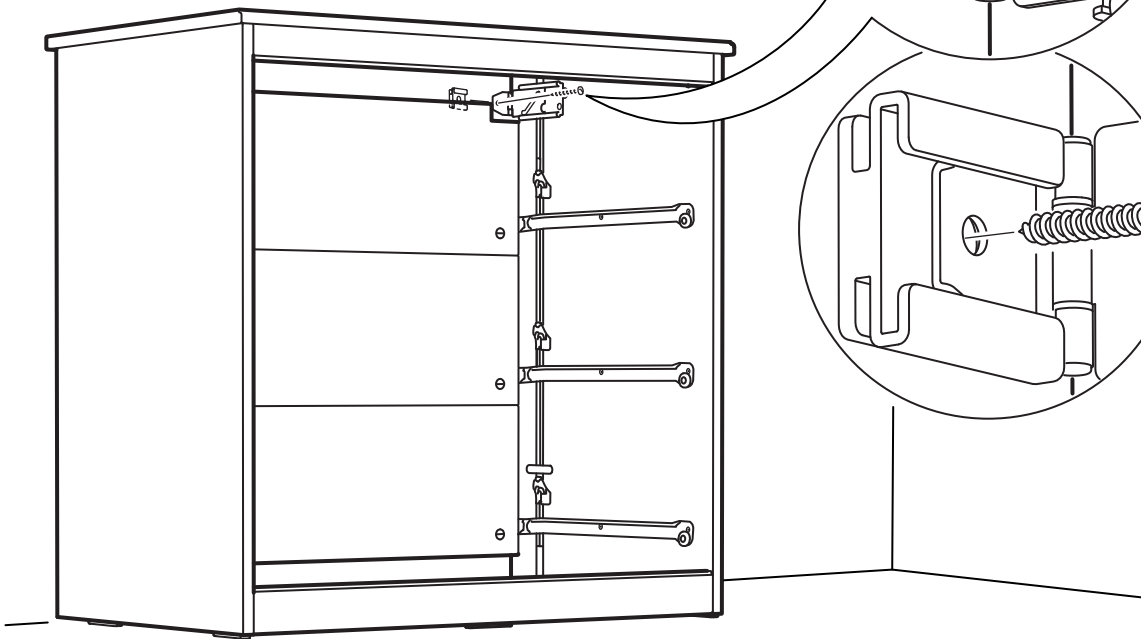
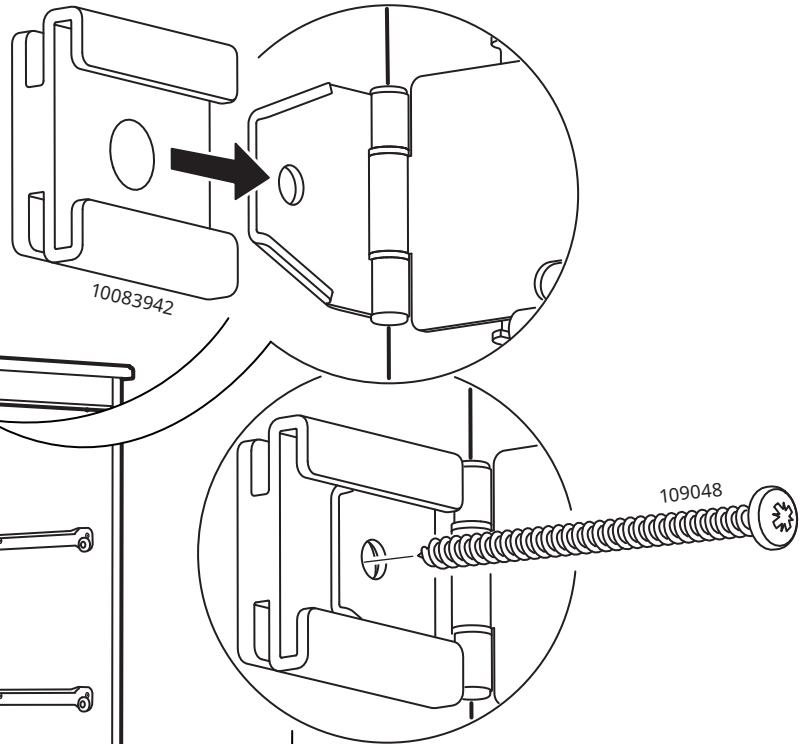
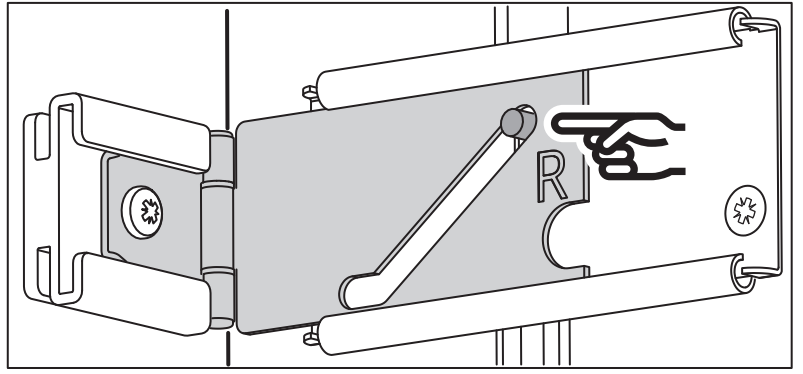
≈ 1 1/4" (≈ 30 mm)



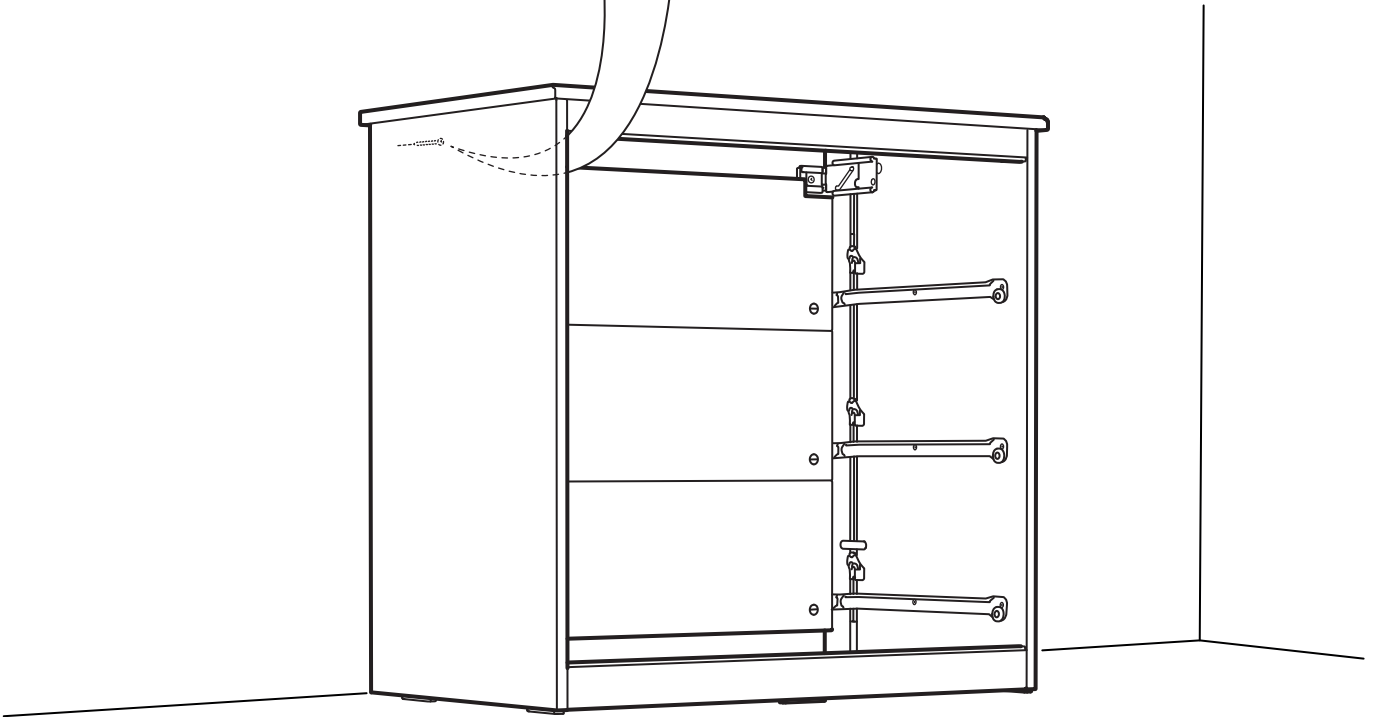
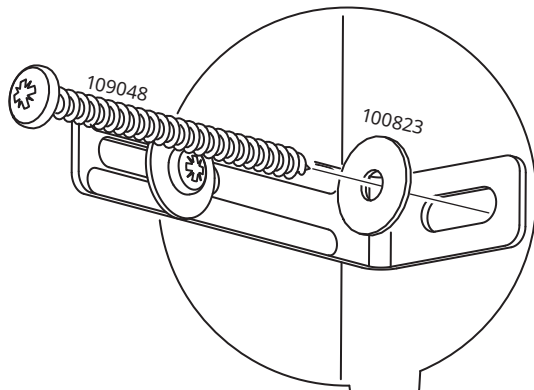
24



25



26

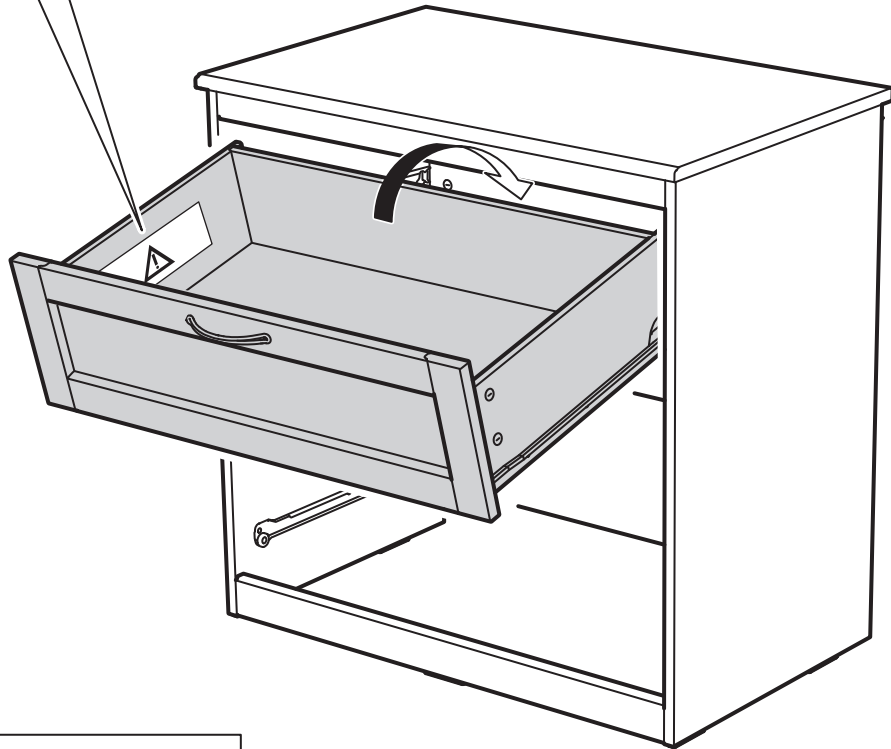
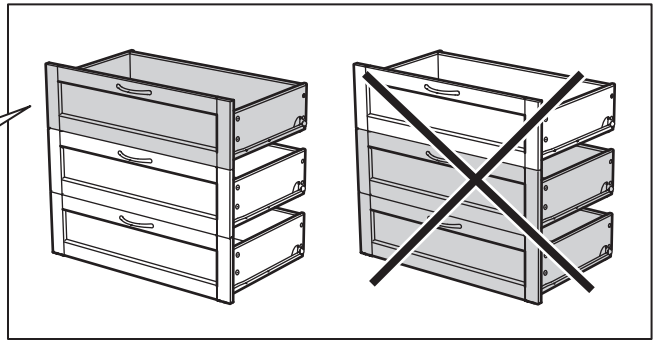


Assemble drawers, step 27 to step 37.

38

i

⚠ WARNING	⚠ ATTENTION	⚠ ADVERTENCIA
<p>• Children should not climb on furniture. Always use proper care when using furniture.</p> <p>• Always use proper care when using furniture. Do not use furniture as a step ladder or to reach high places.</p> <p>• Do not use furniture in the bathroom.</p> <p>• This is a permanent fixture. Do not remove.</p>	<p>• Eviter que les enfants grimpent sur le mobilier. Prendre toujours les précautions d'usage.</p> <p>• Toujours utiliser le mobilier avec précaution. Ne pas utiliser le mobilier comme échelle pour atteindre des hauteurs.</p> <p>• Ne pas utiliser le mobilier dans la salle de bain.</p> <p>• Ceci est un élément permanent. Ne pas enlever.</p>	<p>• Evitar que los niños suban al mueble. Siempre usar el mueble con cuidado.</p> <p>• Siempre utilizar el mueble con precaución. No usar el mueble como escalera para alcanzar alturas.</p> <p>• No utilizar el mueble en el baño.</p> <p>• Esto es un elemento permanente. No desmontarlo.</p>



39

