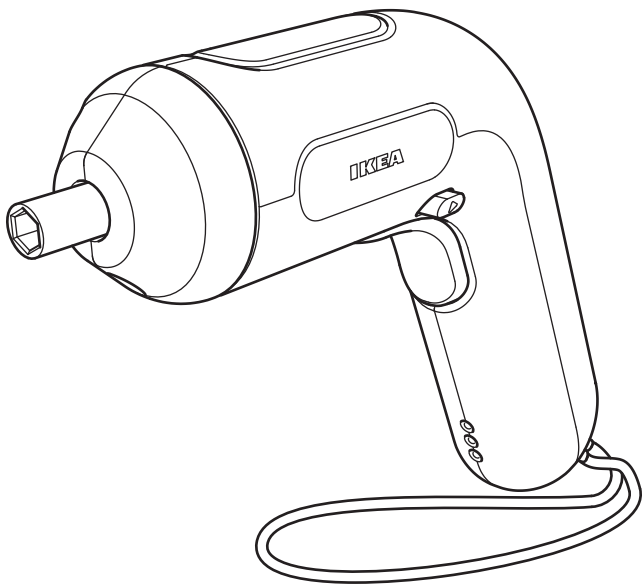
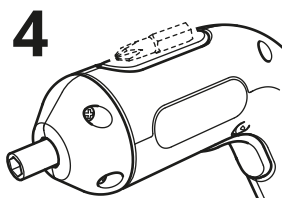
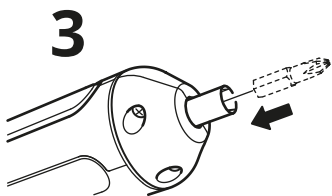
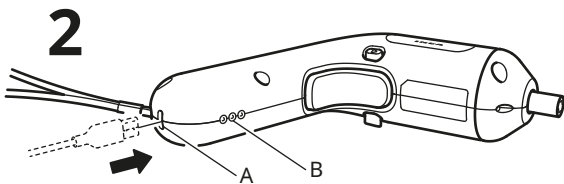
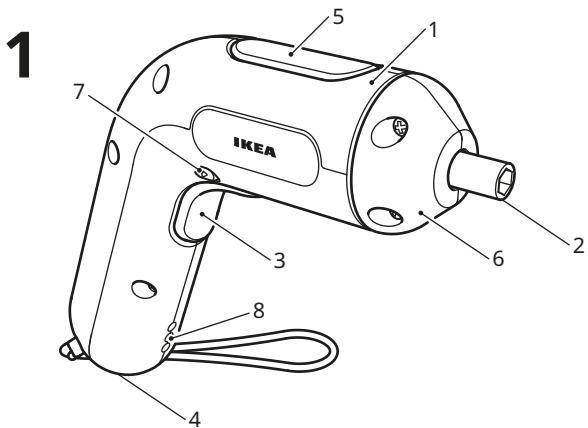


TRIXIG



Design and Quality
IKEA of Sweden



English	Original instructions	4
Česky	Originální instrukce	12
Magyar	Eredeti instrukciók	20
Polski	Oryginalne instrukcje	29
Eesti	Originaaljuhiseid	38
Latviešu	Orģinālā instrukcija	46
Lietuvių	Originalios instrukcijos	55
Slovensky	Prvotné pokyny	63
Українська	Інструкція від виробника	72

English

TRIXIG Cordless screwdriver 3.6V

TECHNICAL SPECIFICATIONS

Model: TRIXIG

Type: P2201

Voltage: 3.6 Vdc

Battery type: 1.5 Ah/5.4Wh Lithium-Ion

Charging time: <300 Min

Max. hard torque: approx. 5 Nm

Max no load speed: 200/min

Bit holder: 6.35 mm (1/4")

Vibration (according to EN 62841-1, EN 62841-2-2):

Screwdriving without impact: $a_h=0.34 \text{ m/s}^2$, $K=1.5 \text{ m/s}^2$.

Noise (according to EN 62841-1):

Noise pressure level $L_{pA} = 59 \text{ dB (A)}$, $K_{pA} = 3 \text{ dB (A)}$

Noise power level $L_{wA} = 70 \text{ dB (A)}$, $K_{wA} = 3 \text{ dB (A)}$

INDOOR USE ONLY.

Recommended charging ratings:

5.0V d.c. / 1.0-3.0A (type C), charging temperature 0-50°C

Product features

The numbering of the product features shown refers to the illustration no. 1 on the graphic page.

1. Screwdriver main body
2. Screwdriver bit holder
3. ON/OFF switch
4. USB-C charging socket
5. Magnetic bit holder
6. LED work light
7. Rotation direction switch
8. LED power status indicator

NOTE!

USB-C cable and USB charger are not included.

AREAS OF USE

The electric screwdriver is suitable for the insertion and removal of screws.

The tool is to be used only for its prescribed purpose. Any other use is deemed to be a case of misuse.

GENERAL SAFETY INSTRUCTIONS

General safety instructions for power tools



WARNING! Read all safety warnings, instructions, illustrations and specifications provided with this power tool. Failure to follow all instructions listed below may result in electric shock, fire and/or serious injury.

Save all warnings and instructions for future reference

The term "power tool" in the warnings refers to your mains-operated (corded) power tool or battery-operated (cordless) power tool.

Work area safety

- Keep work area clean and well lit.** Cluttered and dark areas invite accidents.
- Do not operate power tools in explosive atmospheres, such as in the presence of flammable liquids, gasses or dust.** Power tools create sparks which may ignite the dust of fumes.
- Keep children and bystanders away while operating a power tool.** Distractions can cause you to lose control.

Electrical safety

- Power tool plugs must match the outlet. Never modify the plug in any way. Do not use any adapter plugs with earthed (grounded) power tools.** Unmodified plugs and matching outlets will reduce risk of electric shock.
- Avoid body contact with earthed or grounded surfaces such as pipes, radiators, ranges and refrigerators.** There is an increased risk of electric shock if your body is earthed or grounded.
- Do not expose power tools to rain or wet conditions.** Water entering a power tool will increase the risk of electric shock.
- Do not abuse the cord. Never use the cord for carrying, pulling or unplugging the power tool. Keep the cord away from heat, oil, sharp edges or moving parts.** Damaged or entangled cords increase the risk of electric shock.
- When operating a power tool outdoors, use an extension cord suitable for outdoor use.** Use of a cord suitable for outdoor use reduces the risk of electric shock.
- If operating a power tool in a damp location is unavoidable, use a residual current device (RCD) protected supply.** Use of an RCD reduces the risk of electric shock.

Personal safety

- Stay alert, watch what you are doing and use common sense when operating a power tool. Do not use a power tool while you are tired or under the influence of drugs, alcohol or medication.** A moment of inattention while operating power tools may result in serious personal injury.
- Use personal protective equipment. Always wear eye protection.** Protective equipment such as dust mask, non-skid safety shoes, hard hat, or hearing protection used for appropriate conditions will reduce personal injuries.

- c. **Prevent unintentional starting: Ensure that the switch is in the off-position before connecting to power source and/or battery pack, picking up or carrying the tool.** Carrying power tools with your finger on the switch or plugging in power tools that have the switch on invites accidents.
- d. **Remove any adjusting key or wrench before turning the power tool on.** A wrench or a key left attached to a rotating part of the power tool may result in personal injury.
- e. **Do not overreach. Keep proper footing and balance at all times.** This enables better control of the power tool in unexpected situations.
- f. **Dress properly. Do not wear loose clothing or jewellery. Keep your hair, clothing and gloves away from moving parts.** Loose clothes, jewellery or long hair can be caught in moving parts.
- g. **If devices are provided for the connection of dust extraction and collection facilities, ensure these are connected and properly used.** Use of these devices can reduce dust related hazards.
- h. **Do not let familiarity gained from frequent use of tools allow you to become complacent and ignore tool safety principles.** A careless action can cause severe injury within a fraction of a second.

Power tool use and care

- a. **Do not force the power tool. Use the correct power tool for your application.**
The correct power tool will do the job better and safer at the rate for which it was designed.
- b. **Do not use the power tool if the switch does not turn it on and off.** Any power tool that cannot be controlled with the switch is dangerous and must be repaired.
- c. **Disconnect the plug from the power source and/or the battery pack before making any adjustments, changing accessories, or storing power tools.** Such preventive safety measures reduce the risk of starting the power tool accidentally.
- d. **Store idle power tools out of the reach of children and do not allow persons unfamiliar with the power tool or these instructions to operate the power tool.**
Power tools are dangerous in the hands of untrained users.
- e. **Maintain power tools. Check for misalignment or binding of moving parts, breakage of parts and any other condition that may affect the power tool's operation. If damaged, have the power tool repaired before use.** Many accidents are caused by poorly maintained power tools.
- f. **Keep cutting tools sharp and clean.** Properly maintained cutting tools with sharp cutting edges are less likely to bind and are easier to control.
- g. **Use the power tool, accessories and tool bits etc., in accordance with these instructions and in the manner intended for the particular type of power tool, taking into account the working conditions and the work to be performed.**
Use of the power tool for operations different from those intended could result in a hazardous situation.
- h. **Keep handles and grasping surfaces dry, clean and free from oil and grease.**
Slippery handles and grasping surfaces do not allow for safe handling and control of the tool in unexpected situations.

Battery tool use and care

- a. **Recharge only with the charger specified by the manufacturer.** A charger that is suitable for one type of battery pack may create a risk of fire when used with another battery pack.

- b. **Use power tools only with specifically designated battery packs.** Use of any other battery packs may create a risk of injury and fire.
- c. **When battery pack is not in use, keep it away from other metal objects, like paperclips, coins, keys, nails, screws or other small metal objects that can make a connection from one terminal to another.** Shorting the battery terminals together may cause burns or a fire.
- d. **Under abusive conditions, liquid may be ejected from the battery; avoid contact. If contact accidentally occurs, flush with water. If liquid contacts eyes, additionally seek medical help.** Liquid ejected from the battery may cause irritation or burns.
- e. **Do not use a battery pack or tool that is damaged or modified.** Damaged or modified batteries may exhibit unpredictable behaviour, resulting in fire, explosion or risk of injury.
- f. **Do not expose a battery pack or tool to fire or excessive temperatures.** Exposure to fire or a temperature above 130 °C may cause an explosion.
- g. **Follow all charging instructions and do not charge the battery pack or tool outside the temperature range specified in the instructions.** Charging improperly or at temperatures outside the specified range may damage the battery and increase the risk of fire.

Service

- a. **Have your power tool serviced by a qualified repair person using only identical replacements parts.**
This will ensure that the safety of the power tool is maintained.
- b. **Never service damaged battery packs.** Service of battery packs should only be performed by the manufacturer or authorised service providers.

MACHINE-SPECIFIC SAFETY INSTRUCTION

Safety warnings for drills and screwdrivers

Hold the power tool by the insulated gripping surfaces when performing an operation where the fastener may contact hidden wiring. Fasteners contacting a "live" wire may make exposed metal parts of the power tool conductive and could give the operator an electric shock

Use appropriate detectors to determine if utility lines are hidden in the work area or call your local utility company for assistance. Contact with electric lines can lead to fire and electric shock. Damaging a gas line can lead to explosion. Penetrating a water line causes property damage or may cause an electric shock.

Switch off the power tool immediately when the tool becomes blocked or stuck. Be prepared for high reaction torque that can cause kickback. The tool becomes blocked when:

- the power tool is subjected to overload
- or it becomes wedged in the workpiece.

Hold the machine with a firm grip. High reaction torque can briefly occur while driving in and loosening screws.

Secure the workpiece. A workpiece clamped with clamping devices or in a vice is held more secure than by hand.

Keep your workplace clean. Blends of materials are particularly dangerous. Dust from light alloys can burn or explode.

Always wait until the machine has come to a complete stop before placing it down. The tool insert can jam and lead to loss of control over the power tool.

Avoid unintentional switching on. Ensure the trigger is in the off position before inserting battery pack. Carrying the power tool with your finger on the trigger or inserting the battery pack into power tools that have the switch on invites accidents.

Safety Warnings for battery chargers



For indoor use only.

Keep the battery charger away from rain or moisture. Penetration of water in the battery charger increases the risk of an electric shock.

Do not charge other batteries. The battery charger is suitable only for charging the batteries that were supplied with your power tool. Otherwise there is danger of fire and explosion.

Keep the battery charger clean. Contamination can lead to danger of an electric shock.

Before each use, check the battery charger, cable and plug. If damage is detected, do not use the battery charger. Never open the battery charger yourself. Have repairs performed only by a qualified technician. Damaged battery chargers, cables and plugs increase the risk of an electric shock.

Do not operate the battery charger on easily inflammable surfaces (e. g., paper, textiles, etc.) or surroundings. The heating of the battery charger during the charging process can pose a fire hazard.

Children should be supervised to ensure that they do not play with the battery charger.

VIBRATION AND NOISE INFORMATION

Vibration and noise level

The vibration and noise emission level stated in this instruction manual has been measured in accordance with a standardised test in EN 62841. It may be used to compare

one tool with another and as a preliminary assessment of exposure to vibration and noise when using the tool for the applications mentioned in this manual. However, using the tool for different applications, or with different or poorly maintained accessories, may significantly increase the exposure level.

An estimation of the level of exposure to vibration and noise should also take into account the times when the tool is switched off or when it is running but not being used, as this may significantly reduce the exposure level over the total working period. Protect yourself against the effects of vibration and noise by maintaining the tool and its accessories, keeping your hands warm and organising your work.

Other risks

Even when the power tool is used as prescribed, it is not possible to eliminate all other risk factors. The following hazards may arise in connection with the power tool's construction and design:



Damage to lungs if an effective dust mask is not worn.



Damage to hearing if effective hearing protection is not worn.



Damages to health resulting from vibrations if the power tool is being used over longer period of time or not properly handled and maintained.



WARNING! This power tool produces an electromagnetic field during operation. Under some circumstances, this field may interfere with active or passive medical implants. To reduce the risk of serious or fatal injury, we recommend persons with medical implants to consult their physician and the medical implant manufacturer before operating this machine.

ASSEMBLY

Before any work on the machine (e.g. maintenance, tool change, etc.) as well as during transport and storage, set rotational direction switch to the centre position. Unintentional actuation of the trigger can lead to injuries.

Charging the screwdriver

First read the safety instructions and then follow the charging instructions. Connect the USB-C cable end to the USB-C port (Pic. 2) (A) in the screwdriver. Then connect the other USB cable end to a USB-charger or USB-outlet that can provide sufficient power to charge the screwdriver. Make sure that there are no knots or sharp bends in the cable.

When the screwdriver is connected to the electricity supply with a USB-C cable, three diodes on the screwdriver (Pic. 2) (B) light up to indicate the charging status:

- Pulsating light - charging in progress
- Steady light - charging completed

After the screwdriver's battery is fully charged and the screwdriver remains connected to power supply, the diodes will stay lit. Under normal conditions of use the screwdriver can be recharged several hundred times.

ATTENTION! The recharging process generates heat in the battery. It is not advisable to recharge the battery in temperatures below freezing. The battery will gradually lose its charge over a period of time, even if the tool is not used.

NOTE!

The battery that is supplied with the screwdriver has been charged for test purposes only and must be fully recharged before first time use.

The lithium-ion battery is protected against deep discharging by the "Electronic Cell Protection (ECP)". When the battery is empty, the machine is switched off by means of a protective circuit: The inserted tool no longer rotates.



WARNING Do not continue to press the On/Off switch after the machine has been automatically switched off. The battery can be damaged.



WARNING! Recharge the battery on a non-flammable surface. Do not recharge the battery for more than eight hours.

INSTRUCTIONS FOR USE

Operation

This basic cordless screwdriver will accept various types and length of screwdriver bits that have a hexagonal shank that is 6.35mm (1/4") across the flats.

Inserting the screwdriver bits (Pic.3)

Select the correct screwdriver bit for the screws being used. Insert the screwdriver bit into the screwdriver drive, ensuring that it is pushed firmly home.

Note: It is advisable to always drill a pilot hole when driving screws with this product.

Switching ON and OFF

For screwdriving, squeeze the ON/OFF switch (3). Releasing the ON/OFF switch will stop the screwdriver. For screw removal and changing the rotation direction, push the rotation direction switch (7).

Spindle Auto-Lock

The tool's spindle is automatically locked when the tool is switched off. This enables to use the screwdriver as a manual tool.

Magnetic bit holder

You can place the bits you are currently using on the magnetic bit holder (5) on top of the screwdriver to keep them close at hand while you are working.

LED work light

The screwdriver has a built-in LED work light to illuminate the work area. The LED work light lights up every time the trigger switch is squeezed and then turns off when the trigger switch is released.

Maintenance and cleaning

Keep the screwdriver clean and dry at all times to ensure proper and safe operation. Wipe off any debris using a soft cloth moistened with water. Do not use any cleaning agents or solvents.

For safe and proper working, always keep the machine and ventilation slots clean.

This product is intended for domestic use in the home, not for commercial or qualified measurements carried out by professionals.

Keep this manual for future use.

Manufacturer: IKEA of Sweden AB

Address: Box 702, SE-343 81 Älmhult, SWEDEN



Batteries and rechargeable batteries are not household waste! As a consumer, you are required by law to dispose of all batteries and accumulators, whether they contain harmful substances* or not, at a collection point in your municipality/neighbourhood or via a commercial entity offering battery disposal so that they can be disposed of in an environmentally sound manner.

* marked with: Cd = cadmium, Hg = mercury, Pb = lead



The crossed-out wheeled bin symbol indicates that the item should be disposed of separately from household waste. The item should be handed in for recycling in accordance with local environmental regulations for waste disposal. By separating a marked item from household waste, you will help reduce the volume of waste sent to incinerators or land-fill and minimize any potential negative impact on human health and the environment. For more information, please contact your IKEA store.

Česky

TRIXIG, aku šroubovák, 3.6 V

TECHNICKÉ SPECIFIKACE

Model: TRIXIG

Typ: P2201

Napětí: 3.6 Vdc

Typ baterie: 1.5 Ah/ 5.4Wh Lithium-Ion

Doba nabíjení: <300 min.

Max. tvrdý krouticí moment: cca 5 Nm

Maximální rychlost bez zatížení: 2000/min

Držák bitů: 6.35 mm (1/4")

Vibrace (podle EN 62841-1, EN 62841-2-2):

Šroubování bez přiklepu: $a_h = 0.34 \text{ m/s}^2$, $K = 1.5 \text{ m/s}^2$

Hluk (podle EN 62841-1):

Hladina hlučnosti $L_{pA} = 59 \text{ dB (A)}$, $K_{pA} = 3 \text{ dB (A)}$

Hladina hlučnosti $L_{wA} = 70 \text{ dB (A)}$, $K_{wA} = 3 \text{ dB (A)}$

POUZE VNITŘNÍ POUŽITÍ.

Doporučené údaje nabíjení:

5.0 V DC / 1.0–3.0 A (typ C), nabíjecí teplota 0–50 °C

Vlastnosti výrobku

Číslování zobrazených vlastností výrobku odkazuje na obrázek č. 1 na stránce s grafikou.

1. Hlavní tělo šroubováku
2. Držák vrtáků
3. Spínač ON/OFF
4. Nabíjecí zásuvka USB-C
5. Magnetický držák vrtáků
6. Pracovní LED světlo
7. Přepínač směru otáčení
8. LED indikátor stavu napájení

POZNÁMKA!

Kabel USB-C a nabíječka USB nejsou součástí balení.

OBLASTI POUŽITÍ

Elektrický šroubovák je vhodný k upevnění a vyšroubování šroubků.

Nástroj se smí používat pouze pro stanovený účel. Jakékoli jiné použití se považuje za nesprávné použití.

VŠEOBECNÉ BEZPEČNOSTNÍ POKYNY

Všeobecné pokyny pro bezpečnost



VAROVÁNÍ! Prostudujte si všechna bezpečnostní varování, pokyny, ilustrace a specifikace dodávané s tímto elektrickým nářadím. V případě nedodržení všech uvedených pokynů hrozí úraz elektrickým proudem, požár a/nebo vážné zranění.

Všechna varování a pokyny uschovejte pro budoucí použití

Výraz „elektrické nářadí“ ve varováních označuje vaše elektrické nářadí napájené ze sítě (kabelové) nebo akumulátorové (bez kabelové) elektrické nářadí.

Bezpečné pracovní prostředí

- Udržujte vaše prostředí čisté a dobře osvětlené.** Tmavé pracovní prostředí plné nepořádku přímo volá po nehodě.
- Neppracujte s elektrickým nástrojem ve výbušném prostředí, jako je místo, kde se skladují hořlavé tekutiny, plyn a prach.** "Výkonné nástroje" vytváří jiskry, které mohou způsobit požár.
- Při práci by děti a diváci měli být v bezpečné vzdálenosti.** Rozptýlení může vést ke ztrátě kontroly nad přístrojem.

Bezpečnost při práci s elektřinou

- Elektrická zástrčka přístroje musí být určena pro typ vaší zásuvky. Nikdy neupravujte zástrčku žádným způsobem. Nikdy nepoužívejte žádné adaptéry, které uzemňují tyto nástroje.** Neupravené zástrčky a odpovídající zásuvky jsou zárukou snížení nebezpečí poranění elektrickým proudem.
- Vyvarujte se kontaktu těla s uzemněnými povrchy, jako jsou trouby, radiátory a chladničky.** Je zde zvýšené nebezpečí poranění elektrickým proudem.
- Nevystavujte elektrické přístroje dešti nebo vlhkému prostředí.** Voda v elektrickém přístroji může způsobit poranění elektrickým proudem.
- Nepoužívejte kabel k jiným účelům. Nikdy nepoužívejte kabel k přenášení přístroje a netahejte za něj. Kabel uschovávejte mimo teplo, olej, ostré hrany nebo pohyblivé části.** Poškozené nebo zamotané kabely zvyšují nebezpečí poranění elektrickým proudem.
- Při práci s elektrickým přístrojem venku, použijte prodlužující kabel vhodný k použití ve venkovním prostředí.**
- Použitím elektrického kabelu vhodného pro venkovní prostředí snižujete nebezpečí poranění elektrickým proudem.** Vždy používejte ve spojení s vypínačem zbytkové energie v okruhu.

Osobní bezpečnost

- Při zacházení s nářadím, napájeném elektřinou, buďte vždy ve střehu a používejte selský rozum. Nepracujte s těmito výrobky tehdy, když jste unavení, nebo pod vlivem drog, alkoholu či léků.** Chvilka nepozornosti může mít nedozírné následky.

- b. **Používejte bezpečnostní vybavení. Vždy mějte bezpečnostní brýle.** Riziko zranění sniží i protiprachová maska, protiskluzová obuv a ochrana sluchu.
- c. **Snažte se zabránit nechtěnému spuštění. Před zapojením do elektrického proudu se přesvědčte, že spínač je v poloze "off".** Pokud budete mít při manipulaci s výrobkem prst na spínači nebo pokud ho budete zapojovat do elektrického proudu ve chvíli, kdy bude zapnutý, koledujete si o malér.
- d. **Předtím, než přístroj zapnete, je nutné z něj odstranit nastavovací nebo francouzský klíč.** Pokud je zapomenete v rotační části přístroje, opět vám hrozí zranění.
- e. **Výrobek nepřetěžujte.** Používejte ho ve správné pozici, ve stabilní poloze.
- f. **Volte přiměřený oděv - přiléhající a bez šperků. Vlasy, oblečení i rukavice musí zůstat v bezpečné vzdálenosti od pohybujících se částí výrobku.** Jinak hrozí, že se do přístroje zachytí.
- g. **Pokud je výrobek vybaven ochranou proti prachu, je nutné ji používat -** prodloužíte tak jeho životnost.
- h. **Nedovolte, aby vám znalosti získané častým používáním určitých nástrojů umožňovaly podceňovat a ignorovat zásady bezpečnosti.** Neopatrné zacházení může způsobit vážné zranění během zlomku vteřiny.

Použití spotřebičů a péče o ně

- a. **Spotřebič nepřetěžujte.** Používejte správný nástroj - ten totiž svoji práci odvede bezpečněji a lépe tehdy, bude-li fungovat na takový rychlostní stupeň, na který byl vyroben.
- b. **Pokud má přístroj poškozený spínač, nikdy ho nepoužívejte - nedá se totiž spolehlivě ovládat.** V takovém případě je nutné ho dát opravit.
- c. **Před jakoukoli manipulací s přístrojem a úpravami na něm ho vypojte z proudu.** Zamezíte tak jeho nechtěnému spuštění.
- d. **Tyto spotřebiče skladujte z dosahu dětí a nedovolte nikomu, kdo s přístrojem pracovat neumí nebo kdo si nepřičetl tyto pokyny, s ním manipulovat.** Dostanou-li se tyto spotřebiče do nepovolaných rukou, mohou způsobit mnoho škody.
- e. **O výrobek se dobře starejte. Vždy zkontrolujte, zda je v bezvadném stavu, protože sebemenší poškození se může projevit na kvalitě / bezpečnosti práce. Pokud je výrobek rozbitý, je ho nutné neprodleně opravit.** Manipulace s poškozeným nářadím má na svědomí mnoho nehod.
- f. **Výrobky určené ke krájení, sekání a řezání je nutné udržovat ostré a čisté.** Takové přístroje se snadněji ovládají a odvádějí kvalitní práci.
- g. **Příslušenství používané s tímto výrobkem nesmí jít proti duchu těchto pokynů a musí brát v potaz pracovní podmínky i typ prováděné práce. Pokud budete výrobek používat pro jiné úkony, než pro které byl navržen, vzniká nebezpečí nehody. Používání náčiní pro jiné než určené účely může vést ke zranění.**
- h. **Udržujte rukojeti a úchopy suché, čisté a bez oleje a mastnoty.** Kluzké rukojeti a úchopy neumožňují bezpečné zacházení a ovládání nástroje v neočekávaných situacích.

Použití zařízení na baterie a péče o ně

- a. **Zařízení dobíjete pouze nabíječkou určenou výrobcem.** Nabíječka určená pro jeden výrobek může u jiného typu vést až k riziku vznícení.
- b. **Používejte pouze nástroje se speciálně navrženými obaly na baterie.** Používání jiných baterií může způsobit zranění nebo požár.

- c. **Když baterii nepoužíváte, uschovejte ji mimo dosah jiných kovových předmětů, jako jsou svorky, mince, klíče, hřebíky, šroubky nebo další malé kovové předměty, které by mohly vytvořit spojení mezi póly baterie.** Zkratování pólů baterie může vést k požáru.
- d. **V nevhodných podmínkách může z baterie vytéct tekutina; vyvarujte se kontaktu.** Pokud ke kontaktu dojde, opláchněte postižené místo vodou. **Vnikne-li tekutina do očí, je třeba vyhledat lékařskou pomoc.** Tato tekutina totiž může způsobit podráždění nebo popáleniny.
- e. **Nikdy nepoužívejte akumulátor nebo nářadí, které jsou poškozené nebo upravené.** Poškozené nebo upravené baterie se mohou chovat nepředvídatelně, což může mít za následek požár, výbuch nebo nebezpečí zranění.
- f. **Akumulátor ani nářadí nikdy nevystavujte ohni nebo nadměrným teplotám.** Vystavení ohni nebo teplotě nad 130 °C může způsobit výbuch.
- g. **Dodržujte všechny pokyny k nabíjení a nikdy nenabíjejte akumulátor ani nářadí mimo teplotní rozsah uvedený v pokynech.** Nabíjení nesprávným způsobem nebo při teplotách mimo stanovený rozsah může poškodit baterii a zvýšit riziko požáru.

Servis

- a. **Při opravě zařízení se obračete na servisního odborníka, který použije pouze identické náhradní součástky.** Jedině tak do budoucna zaručíte bezpečné fungování výrobku.
- b. **Nikdy neprovádějte servis poškozených akumulátorů.** Servis akumulátorů musí provést výrobce nebo autorizovaný poskytovatelé servisu.

BEZPEČNOSTNÍ POKYNY

Bezpečnostní upozornění pro vrtačky a šroubováky

Při provádění činností, při nichž může upevňovací prvek zasáhnout skryté vedení, držte elektrické nářadí za izolované uchopovací plochy. Při kontaktu upevňovacích prvků s „živým“ vodičem budou nechráněné kovové části elektrického nářadí vodivé a obsluha může utrpět zásah elektrickým proudem

Použijte vhodné detektory pro zjištění, zda nejsou v místě práce skryty inženýrské sítě. Nebo požádejte o pomoc energetické společnosti. Kontakt s elektrickým vedením může vést k požáru nebo úrazu elektrickým proudem. Poškození plynového potrubí může vést k explozi. Pronikající voda způsobí škodu na majetku nebo může způsobit úraz elektrickým proudem.

Elektrické nářadí okamžitě vypněte, pokud se nářadí zablokuje nebo zasekne. Buďte připraveni na vysoký reakční točivý moment, který může způsobit zpětný ráz. Nářadí se zablokuje, když:

- je elektrické nářadí vystaveno přetížení
- nebo se zaklíní v obrobku.

Držte přístroj pevně. Vysoký točivý moment může nastat při zašroubování vrutů/šroubů a povolování šroubů.

Zajistěte obráběný kus. Obrobek upnutý v upínacím zařízení je zajištěn bezpečněji než v ruce.

Udržujte své pracoviště v čistotě. Směsy materiálů jsou obzvláště nebezpečné. Prach z lehkých slitin může hořet nebo explodovat.

Vždy čekejte až do úplného zastavení přístroje, než ho odložíte. Přístroj by se v opačném případě mohl zadřít nebo by mohlo dojít ke ztrátě kontroly.

Vyvarujte se nechtěnému zapnutí. Ujistěte se, že je spoušť v poloze OFF před vložením baterie. Přenášení náradí s prstem na spoušti a vkládání baterie do náradí, které je zapnuté, vede k úrazům.

Bezpečnostní upozornění pro nabíječky baterií



Pouze k vnitřnímu použití.

Nabíječku udržujte mimo déšť nebo vlhké prostředí. Průnik vody do nabíječky zvyšuje riziko úrazu elektrickým proudem.

Nenabíjejte jiné baterie. Nabíječka baterií je vhodná pouze pro nabíjení baterií, které byly dodány s elektrickým náradím. V opačném případě hrozí nebezpečí požáru a výbuchu.

Nabíječku udržujte čistou. Znečištění může vést k nebezpečí úrazu elektrickým proudem.

Před každým použitím zkontrolujte nabíječku, kabel a konektor. Pokud zjistíte poškození, nabíječku nepoužívejte. Nikdy neotevírejte nabíječku sami. Opravy může provádět pouze kvalifikovaný technik. Poškozené nabíječky baterií, kabelů a konektorů zvyšují riziko úrazu elektrickým proudem.

Nepoužívejte nabíječku na snadno hořlavém povrchu (např. papír, textil, atd.), nebo v jeho okolí. Zahřívání baterie během nabíjení může představovat nebezpečí požáru.

Děti by měly být pod dohledem, aby si nemohly s baterií hrát.

INFORMACE K VIBRACÍM A HLUKU

Hladina vibrací a hluku

Hladina vibrací a emisí hluku uvedená v tomto návodu k použití byla měřena v souladu se standardizovanou zkouškou v normě EN 62841. Může se použít ke vzájemnému porovnávání náradí a jako předběžné posouzení expozice vibracím a hluku při používání náradí pro aplikace uvedené v tomto návodu. Avšak při použití náradí pro jiné aplikace nebo s jiným nebo špatně udržovaným příslušenstvím může dojít k výraznému zvýšení hladiny expozice.

Odhad hladiny expozice vibracím a hluku musí rovněž zohledňovat dobu, kdy je nářadí vypnuté nebo je v chodu, ale nepoužívá se, protože tím se může výrazně snížit hladina expozice za celou dobu práce. Chraňte se před účinky vibračí a hluku prováděním údržby nářadí a jeho příslušenství, udržováním rukou v teple a organizováním práce.

Jiná rizika

I když se elektrické nářadí používá stanoveným způsobem, není možné eliminovat všechny ostatní rizikové faktory. V souvislosti s konstrukcí a provedením elektrického nářadí mohou vzniknout následující rizika:



Poškození plic, pokud se nepoužívá účinný respirátor.



Poškození sluchu, pokud se nepoužívá účinná ochrana sluchu.



Poškození zdraví v důsledku vibračí, pokud se elektrické nářadí používá delší dobu nebo v případě nesprávné manipulace a údržby.



VAROVÁNÍ! Toto elektrické nářadí vytváří během provozu elektromagnetické pole. Za určitých okolností může toto pole rušit aktivní nebo pasivní lékařské implantáty. Aby se omezilo riziko vážného nebo smrtelného zranění, doporučujeme osobám s lékařskými implantáty, aby se před používáním tohoto zařízení poradily se svým lékařem a výrobcem lékařských implantátů.

MONTÁŽ

Před každou prací s přístrojem (např. údržba, výměna nástrojů atd.), ale i během přepravy a skladování, nastavte přepínač směru otáčení do středové polohy. Neúmyslné stisknutí spouště může vést ke zranění.

Nabíjení šroubováku

Nejprve si přečtěte bezpečnostní pokyny a poté dodržujte pokyny k nabíjení. Konec kabelu USB-C zapojte do portu USB-C (obr. 2) (A) ve šroubováku. Poté druhý konec kabelu USB připojte k nabíječce USB nebo zásuvce USB, která může zajistit dostatečný výkon pro nabití šroubováku. Dbejte na to, aby na kabelu nebyly žádné smyčky ani ostré ohyby.

Po připojení šroubováku k elektrickému napájení pomocí kabelu USB-C se rozsvítí tři diody na šroubováku (obr. 2) (B), které signalizují stav nabití:

- Blikající světlo – probíhá nabíjení
- Stálé světlo – nabíjení dokončeno

Poté, co dojde k úplnému nabití baterie šroubováku a šroubovák zůstane připojený k napájecímu zdroji, zůstanou diody rozsvícené. Za normálních podmínek používání lze šroubovák nabít několikrát.

VAROVÁNÍ! Během nabíjení se baterie zahřívá. Nedoporučuje se nabíjet baterie při nižší teplotě než je bod mrazu. Po nějakém čase baterie postupně ztrácí svou kapacitu, i když se zařízení nepoužívá.

UPOZORNĚNÍ! Baterie, která je součástí šroubováku, byla nabita pouze za účelem testování, proto ji musíte před prvním použitím nabít.

Lithium-ionová baterie je chráněná proti rychlému vybití prostřednictvím funkce "Electronic Cell Protection (ECP)". Když je baterie zcela vybita, zařízení se přepne do bezpečnostního režimu: zařízení už dále nerotuje.



VAROVÁNÍ! Jakmile se zařízení automaticky vypne, už dále vypínač nemačkejte. Baterie by se mohla poškodit.



UPOZORNĚNÍ! Baterii nabíjejte na nehořlavém povrchu. Nenabíjejte ji déle než osm hodin.

INSTRUKCE K POUŽITÍ

Provoz

Tento bezdrátový šroubovák je vhodný na všechny typy vrtáků a bitů, které mají šestiúhelný dřík, 6.35 mm (1/4").

Vkládání vrtáků/bitů (Obr. 3)

Vyberte vhodný vrták na použité šroubky. Vložte vrták do vrtačky a ujistěte se, že v ní bezpečně drží. Pozn.: Je vhodné vždy napřed předvrtat zkušební otvor před zavedením šroubku do předmětu.

Zapnutí a vypnutí

Před šroubováním stiskněte spínač ON / OFF (3). Po uvolnění spínače ON/OFF se šroubovák zastaví. Pro odstranění šroubu a změnu směru otáčení stiskněte přepínač směru otáčení (7).

Automatická blokace hřídele

Hřídel zařízení se automaticky uzamkne, když se zařízení zastaví. Proto lze zařízení použít i jako manuální nástroj.

Magnetický držák bitů

Bity, které právě používáte, můžete umístit na magnetický držák bitů (5) na horní straně šroubováku, abyste je měli při práci po ruce.

LED pracovní světlo

Šroubovák má vestavěné LED pracovní světlo pro osvětlení pracovního prostoru. Pracovní LED světlo se rozsvítí při každém stisknutí spouštěcího spínače a poté zhasne, když je spouštěcí spínač uvolněn.

Péče a čištění

Udržujte šroubovák vždy čistý a suchý, aby byl zajištěn správný a bezpečný provoz. Veškeré nečistoty otřete měkkým hadříkem navlženým vodou. Nepoužívejte žádné čisticí prostředky.

Pro bezpečnou a správnou práci udržujte přístroj a větrací otvory vždy čisté.

Tento výrobek je určen pro domácí použití, nikoli pro komerční nebo kvalifikovaná měření prováděná profesionály.

Tento návod uschovejte pro budoucí použití.

Výrobce: IKEA of Sweden AB

Adresa: Box 702, SE-343 81 Älmhult, ŠVÉDSKO



Baterie a dobíjecí baterie nejsou domovním odpadem! Jako spotřebitelé jste ze zákona povinni zlikvidovat všechny baterie a akumulátory, ať už obsahují škodlivé látky* nebo ne, na sběrném místě ve vaší obci/okolí nebo prostřednictvím komerčního subjektu nabízejícího likvidaci baterií, aby mohly být baterie zlikvidovány způsobem šetrným k životnímu prostředí.

* označeno: Cd = kadmium, Hg = rtuť, Pb = olovo



Symbol přeškrtnutého kontejneru označuje, že tento výrobek musí být likvidován odděleně od běžného domácího odpadu. Výrobek by měl být odevzdán k recyklaci v souladu s místními předpisy pro nakládání s odpadem. Oddělením označeného výrobku z komunálního odpadu, pomůžete snížit objem odpadů posílaných do spaloven nebo na skládku a minimalizovat případný negativní dopad na lidské zdraví a životní prostředí. Pro více informací, prosím, kontaktujte obchodní dům IKEA.

Magyar

TRIXIG Vezeték nélküli fúró 3.6 V

MŰSZAKI SPECIFIKÁCIÓK

Modell: TRIXIG

Típus: P2201

Feszültség: 3.6 Vdc

Akkumulátor típus: 1.5 Ah/ 5.4Wh Lithium-Ion

Töltési idő: <300 perc

Max. forgató nyomaték: kb 5 Nm

Max töltési sebesség: 200/min

Fúró tartó: 6.35 mm (1/4")

Rezgés (EN 62841-1 és EN 62841-2-2 szerint)

Üresjárat sebesség: $a_h = 0.34 \text{ m/s}^2$, $K = 1.5 \text{ m/s}^2$

Zaj (EN 62841-1 alapján):

Hangnyomásszint $L_{pA} = 59 \text{ dB (A)}$, $K_{pA} = 3 \text{ dB (A)}$

Hangteljesítményszint $L_{wA} = 70 \text{ dB (A)}$, $K_{wA} = 3 \text{ dB (A)}$

KIZÁRÓLAG BELTÉRI HASZNÁLATRA.

Ajánlott töltési paraméterek:

5.0 V dc / 1.0-3.0A (C típus), töltési hőmérséklet 0-50°C

A termék részei

A termékjellemzőknél feltüntetett számozás a grafikus oldalon található 1. számú ábrára vonatkozik.

1. Csavarozógép törzse
2. Csavarozó bitfej-befogó
3. BE/KI kapcsoló
4. USB-C töltőaljzat
5. Mágneses bitfej-befogó
6. LED munkalámpa
7. Forgásirány-kapcsoló
8. Töltöttségi állapotjelző LED-es fény

MEGJEGYZÉS:

Az USB-C kábel és az USB-töltő nem tartozék.

FELHASZNÁLÁSI TERÜLET

Az elektromos csavarhúzó csavarok ki- és becsavarásához használható.

Az eszköz csak az előírt célra használható. Bármely egyéb célra történő felhasználása nem rendeltetésszerű használatnak minősül.

ÁLTALÁNOS BIZTONSÁGI UTASÍTÁSOK

Általános biztonsági utasítások



FIGYELEM! Olvasd el az elektromos kéziszerszámhoz mellékelte összes biztonsági figyelmeztetést, utasítást, ábrát és specifikációt. Az alábbi utasítások be nem tartása áramütést, tüzet és/vagy súlyos sérülést okozhat.

Őrizd meg a figyelmeztetéseket és utasításokat a későbbi felhasználás céljából

A figyelmeztetéseken szereplő "elektromos eszköz" kifejezés a hálózatról működtetett (vezetékes) vagy akkumulátoros (vezeték nélküli) elektromos kéziszerszámokra vonatkozik.

Biztonságos munkaterület

- Mindig tartsd tisztán és jól kivilágítva a munkaterületedet.** Rendetlen és sötét részek baleset forrásai lehetnek.
- Ne működtess elektromos szerszámot robbanékony környezetben, mint például gyúlékony folyadékok, gázok vagy por jelenlétében.** Az elektromos szerszámok könnyen szikrát vethetnek, melyek lángra lobbantathatják az éghető anyagokat.
- Tartsd távol a gyerekeket és a körülötted álló embereket, míg az elektromos szerszámot használod.** Ha nem figyelsz oda a műveletre, könnyen elvesztheted a szerszám feletti irányítást.

Elektromos biztonság

- Az elektromos kéziszerszám dugaszának megegyezőnek kell lennie a dugaszoló aljzattal. Soha ne módosíts a dugaszon. Ne használj földelt adaptert.** Csak az át nem alakított dugaszoló és a hozzá megfelelő aljzat csökkenti az áramütés veszélyét.
- Kerüld a testi érintkezést földelt felületekkel, mint például fali csövek, radiátor, tűzhely és hűtőgép.** Nagyobb az esélye, hogy áramütés ér, ha a tested földelt.
- Ne használj esőben vagy nedves környezetben az elektromos kéziszerszámot.** Nő az esélye az áramütés lehetőségének, ha víz éri az elektromos kéziszerszámot.
- Ne rongáld meg az elektromos vezetéket. Soha ne húzd, hordozd, vagy távolítsd el az elektromos kéziszerszámot, az elektromos vezetéket használva.** A sérült vagy összetekeredett vezetékek esetében nagy az áramütés kockázata.
- A szabadban történő használathoz, csak olyan elektromos hosszabbítót használj, melyet szintén szabadban történő használatra szántak.** Mindig használj árammegszakítóval rendelkező csatlakozót. Ezzel is az áramütés veszélyét csökkented.
- Ha elkerülhetetlen, hogy nedves helyen használj az elektromos szerszámot, használj egy hibaáram elleni eszközt (RCD).** Az RCD használata csökkenti az áramütés kockázatát.

Személyi biztonság

- Légy elővigyázatos, folyamatosan figyelj oda arra, amit csinálsz és használj a józan eszed az elektromos kéziszerszám működtetése közben. Ne használj az**

- elektromos kéziszerszámot ha fáradt vagy, továbbá drogok, alkohol, gyógyszerek befolyása alatt állsz.** Az elektromos kéziszerszám használata során, egy pillanatnyi figyelmetlenség is komoly sérülést okozhat.
- b. **Használj személyes védőfelszerelést. Mindig viselj védőszemüveget.** Biztonsági eszközök, úgymint porvédő maszk, csúszásmentes biztonsági cipő, a védősisak és a fűldugó megfelelő használata, csökkentik a sérülések veszélyét.
 - c. **Előzd meg a véletlen bekapcsolást: Győződj meg róla, hogy a kapcsoló kikapcsolt állásban áll, mielőtt csatlakoztatnád az áráforrást és/vagy az elemeket, vagy felemelnéd a szerszámot.** Ügyelj arra, hogy a kéziszerszám szállításakor, az ujjad a bekapcsolón, vagy az elektromos aljzatba történő dugáskor, bekapcsolt állapotban lévő eszköz, a balesetek esélyét növelik
 - d. **Bekapcsolás előtt távolítsd el az állítókulcsot vagy a franciakulcsot.** Az elektromos kéziszerszám forgó részein hagyott állítókulcs vagy franciakulcs az eszköz bekapcsolásakor könnyen balesetet okozhat.
 - e. **Ne tartsd nagyon nagy távolságra az elektromos kéziszerszámot.** Tartsd a lábad mindig biztonságos egyensúlyban. Ezzel jobban tudsz uralkodni a kéziszerszám felett, akár váratlan helyzetekben is.
 - f. **Öltözz megfelelően. Ne viselj bő ruhát vagy bármilyen ékszert. Tartsd a hajad, ruházatod és a védőkesztyűd távol a mozgó részektől.** A bő ruházatot, ékszereket és hosszú hajat könnyen elkapathatják a mozgó részek.
 - g. **Ha az eszközön lehetőség van porelszívó, porgyűjtő csatlakoztatására, abban az esetben biztosítsd a csatlakoztatást és a megfelelő használatát.** Ezen eszközök használatával, csökkentet a porral összefüggő baleseteket.
 - h. **A rendszer használatból adódó tapasztalat ne befolyásoljon az eszközre vonatkozó biztonsági előírások betartásában.** A figyelmetlenség súlyos sérülésekhez vezethet akár pillanatok alatt.

Az elektromos eszköz használata és karbantartása

- a. **Ne erőltesd az elektromos kéziszerszámot. A feladatnak megfelelő elektromos kéziszerszámot használj.** A helyesen kiválasztott szerszámmal jobban és biztonságosabban tudsz dolgozni.
- b. **Ne használd az elektromos kéziszerszámot, ha a ki/be kapcsoló nem működik.** Bármely elektromos kéziszerszám veszélyes, melynek nem működik a kapcsolója, ezért minél előbb vidd szerelőhöz.
- c. **Húzd ki az elektromos aljzataból, mielőtt bármit is állítanál, cserélnél rajta, vagy tárolnál azt.** Az ilyen megelőző biztonsági intézkedések csökkentik a szerszám véletlen bekapcsolódásának kockázatát.
- d. **A használaton kívüli elektromos kéziszerszámot úgy tárolj, hogy a gyerekek ne férhessenek hozzá, és ne engedj, hogy olyan személy használja, aki nem ismeri a szerszámot és a működtetéshez szükséges tudnivalókat.** Gyakorlatlan felhasználó kezében a kéziszerszám veszélyesek lehet.
- e. **A szerszámgépek karbantartása. Ellenőrizd a mozgó részek illesztését, rögzítését, a törött részeket és bármilyen más tényezőt, amely befolyásolhatja a szerszámgép működését. Ha sérült, használat előtt javítsd meg a szerszámot.** Gyakran okoz balesetet a nem megfelelően karbantartott szerszám.
- f. **Tartsd a vágószerszámokat élesen és tisztán.** A megfelelően karbantartott, éles vágóélű szerszám kevésbé fog megakadni, és könnyebb irányítani.

- g. **A szerszámgépet, illetve annak alkatrészeit és tartozékait az utasítások szerint, a munkakörülményeknek és az elvégzendő munkának megfelelően használd.** A szerszám ettől eltérő használata veszélyhez vezethet.
- h. **Az eszközt tartsd szárazon, tisztán és ügyelj rá, hogy ne legyen olajos vagy zsíros.** Ha az eszköz felülete csúszós, nem lehet biztonságosan használni és a kontrollvesztés balesethez vezethet.

Akkumulátoros eszközök használata és gondozása

- a. **Csak a gyártó által előírt akkumulátor töltőt használd.** Tűzveszélyt okozhat, ha a töltőt nem az ajánlott akkumulátor töltésére hasznárod.
- b. **A szerszámokat csak a hozzájuk való akkumulátorokkal használd.** Másmilyen akkumulátor használata sérülést, vagy tüzet okozhat.
- c. **Ha az akkumulátort nem hasznárod, tartsd távol a fém tárgyaktól, például iratkapcsoktól, érméktől, kulcsoktól, szögektől, csavaroktól vagy egyéb, más apró fém tárgyaktól, melyek összekapcsolhatják a pólusokat.** Az akkumulátor rövidre zárása égési sérülést, vagy tüzet okozhat.
- d. **Nem megfelelő körülmények között az akkumulátorból folyadék szivároghat ki; ügyelj rá, hogy a bőröd ne érintkezzen a folyadékkal. Ha véletlenül mégis hozzáérsz, bő vízzel öblítsd le magadról. Ha a folyadék a szembe kerül, mindenképpen keress fel egy orvost.** Az akkumulátorból kiszivárgott folyadék irritációt, vagy égési sérülést okozhat.
- e. **Ne használd sérült vagy átalakított akkumulátort vagy eszközt.** A sérült vagy átalakított akkumulátorok kiszámíthatatlan működése tűz-, robbanás- és sérülésveszélyes lehet.
- f. **Az akkumulátort vagy az eszközt ne tedd ki tűznek vagy túl magas hőmérsékletnek.** Tűznek vagy 130 °C feletti hőmérsékletnek kitéve robbanást okozhat.
- g. **Tartsd be a töltésre vonatkozó összes utasítást, és az akkumulátorokat vagy az eszközt ne töltsd a használati utasításban megadott hőmérsékleti tartományon kívül.** A helytelenül végzett vagy a megadott tartományon kívüli hőmérsékleten történő töltés károsíthatja az akkumulátort és fokozza a tűz keletkezésének kockázatát.

Szervizelés

- a. **Elektromos szerszámodat szakképzett szerelővel javítsd és csak megegyező csere alkatrészekkel.** Ezáltal biztosan biztonságos marad a szerszám.
- b. **Soha ne próbáld megjavítani a sérült akkumulátorokat.** Az akkumulátorok szervizelését kizárólag a gyártó vagy a hivatalos márkaszerviz végezheti.

GÉPSPECIFIKUS BIZTONSÁGI UTASÍTÁSOK

Biztonsági figyelmeztetések

Ha olyan műveletet végzel, ahol a rögzítőelemek hozzáérhetnek a rejtett vezetékekhez, az elektromos eszközt a szigetelt markolatfelületeknél fogd meg. Az „élő” vezetékkel érintkező rögzítőelemek vezetőképessé tehetik az elektromos kiegészzerszám szabadon lévő fémrészeit, és áramütést okozhatnak

A rejtett hálózati vezetékek megtalálásához használj megfelelő érzékelőket, vagy hívd fel a helyi közüzemi vállalatot segítségért. Az elektromos vezetékek érintése tüzet, vagy áramütést okozhat. A gázvezeték sérülése robbanást okozhat. A vízvezeték megsértése anyagi kárt, vagy áramütést okozhat.

Ha az elektromos kéziszerszám megakad vagy megszorul, azonnal ki kell kapcsolni. Készülj fel a nagy reakciónyomatokra, amely visszarúgást okozhat. Az eszköz megakad, ha:

- az elektromos kéziszerszám túlterhelésnek van kitéve
- vagy beékelődik a munkadarabba.

Szilárdan fogd a gépet. Csavarok be-, illetve kihajtása esetén gyakran előfordulhat nagy nyomoték.

Biztosítsd a munkadarabot. Az összefogó eszközökkel, vagy satuval összefogott munkadarab sokkal biztonságosabb, mintha kézzel fognád azt.

Tartsd tisztán munkaterületet. A különböző anyagok keveréke különösen veszélyes. A könnyűfémekből származó por lángra lobbánhat, vagy fel is robbanhat.

Mindig várd meg, hogy a gép teljesen megálljon, mielőtt letennéd azt. A szerszámot beragadhat, és elveszítheted az uralmat a szerszám felett.

Ne kapcsolod be véletlenül a szerszámot. A töltőbe helyezés előtt bizonyosodj meg arról, hogy ki van kapcsolva. Balesetveszélyes lehet, ha a kapcsolóra tett ujjal viszed a kezében a szerszámot, vagy bekapcsolt állapotban helyezed azt a töltőbe.

Biztonsági figyelmeztetések a töltőkhöz



Kizárólag beltéri használatra.

Tartsd távol a töltőt az esőtől és nedvességtől. Ha víz kerül a töltőbe, azzal nőhet az áramütés kockázata.

Ne tölts más akkumulátorokat. A töltő csak a szerszámhoz mellékelt akkumulátor töltésére alkalmas. Egyéb esetben tűz, vagy robbanás veszélye állhat fenn.

Tartsd tisztán a töltőt. A szennyeződés áramütéshez vezethet.

Minden használat előtt ellenőrizd az akkumulátor töltőt, a kábelt és a dugót. Ha sérülést látsz, ne használd a töltőt. Soha ne nyisd fel egyedül a töltőt. Csak szakképzett szerelő végezzen javítást. A sérült töltők, kábelek és dugók növelik az áramütés kockázatát.

Ne használd a töltőt könnyen gyulladó felületeken (pl. papír, szövet, stb.) vagy azok közelében. A töltő melegedése a töltési folyamat közben tűzveszélyes lehet.

A gyerekeket felügyelni kell, hogy ne játsszanak a töltővel.

REZGÉSRE ÉS ZAJRA VONATKOZÓ INFORMÁCIÓK

Rezgés- és zajszint

A jelen használati utasításban megadott rezgés- és zajkibocsátási szintek mérését az EN 62841 szabványban előírt vizsgálatoknak megfelelően végeztük el. A mérés alkalmazható két eszköz összehasonlítására, valamint az eszköz jelen használati útmutatóban feltüntetett célra történő használata során a rezgés- és zajterhelés előzetes felmérésére. Az eszköz egyéb célra történő felhasználása, illetve az előírástól eltérő vagy nem megfelelően karbantartott tartozékokkal való használata azonban jelentősen megnövelheti a rezgés- és zajszintet.

A rezgés- és zajterhelés szintjének becslésénél figyelembe kell venni azokat az időszakokat is, amikor az eszköz ki van kapcsolva, illetve amikor működik, de nincs használatban. Ez jelentősen csökkentheti a teljes munkaidő alatt mért értékeket. A rezgés- és zajterhelés hatásai csökkenthetők az eszköz és tartozékai karbantartásával, a kezek melegen tartásával és a munka megszervezésével.

Egyéb kockázatok

Az elektromos kéziszerszám előírászerű használata esetén sem lehet minden egyéb kockázati tényezőt kiküszöbölni. Az elektromos kéziszerszám használatából fakadóan az alábbi veszélyek merülhetnek fel:



Hatékony porvédő maszk használata nélkül - tüdőkárosodás.



Hatékony fülvédő használata nélkül - halláskárosodás.



Az eszköz hosszabb ideig történő használata, illetve nem megfelelő kezelés vagy karbantartás esetén a rezgésekből eredő egészségkárosodás.



FIGYELEM! Ez az elektromos kéziszerszám működés közben elektromágneses mezőt hoz létre. Bizonyos körülmények között ez a mező zavarhatja az aktív vagy passzív orvosi implantátumokat. A súlyos vagy halálos sérülések kockázatának elkerülésének érdekében javasoljuk, hogy az orvosi implantátummal rendelkező személyek az eszköz használata előtt konzultáljanak a kezelőorvosukkal és az orvosi implantátum gyártójával.

SZERELÉS

Mielőtt bármit tennél a géppel (pl. karbantartás, eszközcsere, stb.), illetve szállításkor és tároláskor állítsd középső állásba a forgásirány kapcsolót. A kapcsoló véletlen aktiválása balesetet okozhat.

A fúró töltése

Először olvasd el a biztonsági utasításokat, majd kövesd a töltésre vonatkozó utasításokat.

Csatlakoztasd az USB-C kábel végét a csavarozógép USB-C portjához (2. kép) (A). Ezután csatlakoztasd az USB-kábel másik végét egy USB-töltőhöz vagy USB-kimenethez, amely elegendő energiát biztosít a csavarozó töltéséhez.

Ügyelj arra, hogy a kábel ne legyen összetekeredve vagy megtörve.

Amikor a csavarozógépet USB-C kábellel csatlakoztatod az elektromos hálózathoz, a csavarozón (2. kép) (B) három dióda világít, amelyek a töltés állapotát jelzik:

- Villogó fény - töltés folyamatban

- Folyamatosan világít - a töltés befejeződött

Ha a csavarozó akkumulátora teljesen feltöltődött, de az eszköz

az áramforráshoz csatlakoztatva marad, a diódák világítanak. Normál használati körülmények között a csavarozó több százszor újratölthető.

FIGYELEM! A töltési procedura hőt generál az akkumulátorban. Nem ajánlott az akkumulátort tölteni 0 fok alatti hőmérsékleten. Az akkumulátor bizonyos idő után elveszti töltöttségét, még akkor is, ha nem használod a terméket.

FIGYELMEZTETÉS!

A termékhez mellékelte akkumulátor kizárólag tesztelési okokból lett feltöltve és az első használat előtt teljesen fel kell tölteni.

A lítium-ion akkumulátort "Elektromos Cellavédelem (ECP)" védi a mély kisütés ellen. Ha az akkumulátor kiürült, a gép kikapcsol a biztonsági áramkör miatt: A behelyezett eszköz nem forog tovább.



FIGYELMEZTETÉS! Ne nyomd tovább a ki/bekapcsoló gombot, ha a gép automatikusan kikapcsolt. Sérülhet az akkumulátor.



FIGYELEM! Az akkumulátort ne töltsd gyúlékony felületen. Ne töltsd tovább, mint 8 óra.

HASZNÁLATI UTASÍTÁS

Működése

Ez a vezeték nélküli csavarhúzó különböző típusú és hosszúságú hatszögű csavarokhoz használható, melyek az egyenes oldaluknál keresztbe 6.35 mm (1/4") hosszúak.

A csavarhúzó fej behelyezése (3.kép)

Válaszd ki a megfelelő csavarhúzó fejet, mely illik a csavarhoz. Helyezd a csavarhúzó fejet a csavarhúzó első részéhez, és nyomd be határozottan.

Megjegyzés: Ajánlatos mindig egy vezető lyukat furni csavarozás előtt.

Be- és Kikapcsolás

A csavarozáshoz nyomd meg a BE/KI kapcsolót (3). A BE/KI kapcsoló elengedése leállítja a csavarozót. Csavar eltávolításához és a forgásirány megváltoztatásához nyomd meg a forgásirány-kapcsolót (7).

Automata lezárás

A csavarhúzó automatikusan lezáródik, ha a készülék ki van kapcsolva. Ebben az állapotában manuálisan használható.

Mágneses bitfejtartó

A használni tervezett bitfejeket a mágneses tárolóba (5) helyezheted, így kéznél lesznek munka közben.

LED-es fény

A termékben egy beépített LED-es fényforrás is van, amely megvilágítja a munkaterületet. Ez minden alkalommal bekapcsol, amikor a gombot megnyomod és kikapcsol, ha elengeded.

KARBANTARTÁS ÉS TISZTÍTÁS

Mindig tartsd tisztán és szárazon a terméket, hogy biztosítsd a megfelelő és biztonságos működést. A törmelékeket puha, nedves ruhával töröld le. Ne használj semmilyen tisztító-, vagy oldószert.

A biztonságos és megfelelő munkavégzés érdekében mindig tartsd tisztán a gépet és a szellőzőnyílásokat.

Ez a termék otthoni használatra készült, nem professzionális használatra.

Őrizd meg az útmutatót a későbbi felhasználás céljából.

Gyártó: IKEA of Sweden AB

Cím: Box 702, SE-343 81 Älmhult, SVÉDORSZÁG



Az elemek és az újratölthető elemek nem minősülnek háztartási hulladéknak! Fogyasztóként törvény kötelez arra, hogy minden elemet és akkumulátort - függetlenül attól, hogy tartalmaz-e káros anyagokat* vagy sem - adj le a településen vagy annak környékén található gyűjtőhelyen vagy az elemek ártalmatlanítását felajánló kereskedelmi egységben annak érdekében, hogy azok környezetkímélő módon kerüljenek ártalmatlanításra.

* jelölés: Cd = kadmium, Hg = higany, Pb = ólom



Az áthúzott, kerekes szemetetést ábrázoló szimbólum azt jelzi, hogy a terméket a háztartási hulladéktól különválasztva kell elhelyezni. A terméket a helyi szabályozásnak megfelelően, újrahasznosítás céljából a megfelelő helyen kell leadni. Azzal, hogy az így jelölt termékeket a háztartási hulladéktól különválasztod, segítesz csökkenteni a hulladékégetőbe kerülő vagy a földben elhelyezett szemét mennyiségét, ezzel minimalizárod az egészségre és a környezetre ártalmas lehetséges negatív hatásokat. További információért kérjük, lépj kapcsolatba a legközelebbi IKEA áruházal!

Polski

TRIXIG Wkrętarka akumulatorowa 3.6 V

PARAMETRY TECHNICZNE

Model: TRIXIG

Typ: P2201

Napięcie: 3.6 Vdc

Rodzaj akumulatora: 1.5 Ah/ 5.4Wh litowo-jonowy

Czas ładowania: <300 min

Maks. twardy moment obrotowy: ok. 5 Nm

Maks. prędkość bez obciążenia: 200/min

Uchwyt bitu: 6.35 mm (1/4")

Wibracje (zgodnie z normami EN 62841-1 i EN 62841-2-2):

Wkręcanie bez udaru: $a_h = 0.34 \text{ m/s}^2$, $K = 1.5 \text{ m/s}^2$

Poziom hałasu (zgodnie z normą EN 62841-1):

Poziom ciśnienia akustycznego $L_{pA} = 59 \text{ dB (A)}$, $K_{pA} = 3 \text{ dB (A)}$

Poziom mocy akustycznej $L_{wA} = 70 \text{ dB (A)}$, $K_{wA} = 3 \text{ dB (A)}$

TYLKO DO UŻYTKU W POMIESZCZENIU.

Zalecane parametry ładowania:

5.0 V DC / 1.0-3.0 A (typ C), temperatura ładowania 0-50°C

Części produktu

Numeracja przedstawionych funkcji produktu odnosi się do ilustracji nr 1 na stronie graficznej.

1. Korpus główny wkrętaka
2. Uchwyt do wiertła wkrętaka
3. Przełącznik ON/OFF
4. Gniazdo ładowania USB-C
5. Magnetyczny uchwyt na wiertła
6. Światło robocze LED
7. Przełącznik kierunku obrotów
8. Wskaźnik LED stanu zasilania

UWAGA!

Kabel USB-C i ładowarka USB nie są dołączone.

ZASTOSOWANIA

Elektryczny wkrętak może być wykorzystywany do wkręcania i wykręcania śrub. Narzędzie może być używane tylko zgodnie z jego przeznaczeniem. Każde inne zastosowanie uważa się za przypadek niewłaściwego użycia.

OGÓLNE INSTRUKCJE DOT. BEZPIECZEŃSTWA

Praca z urządzeniami elektrycznymi



OSTRZEŻENIE! Należy przeczytać wszystkie ostrzeżenia dotyczące bezpieczeństwa, zapoznać się z instrukcjami, i specyfikacjami dołączonymi do tego elektronarzędzia. Nieprzestrzeganie wszystkich wymienionych poniżej instrukcji może spowodować porażenie prądem, pożar i/lub poważne obrażenia.

Zachowaj wszystkie ostrzeżenia i instrukcje do wykorzystania w przyszłości.

Termin „elektronarzędzie” w ostrzeżeniach odnosi się do elektronarzędzia zasilanego z sieci (przewodowego) lub akumulatorowego (bezprowodowego).

Bezpieczeństwo w miejscu pracy

- a. **Miejsce pracy powinno być czyste i dobrze oświetlone.** Wypadki częściej zdarzają się w ciemnych i zagraconych pomieszczeniach.
- b. **Nie korzystaj z urządzeń elektrycznych w pomieszczeniach, w których może dojść do wybuchu, na przykład ze względu na obecność łatwopalnych cieczy, gazów lub pyłów.** Urządzenia elektryczne mogą wytworzyć iskrę, która doprowadzi do wybuchu.
- c. **Dzieci oraz osoby obserwujące pracę nie powinny stać w pobliżu działającego urządzenia.** Ich obecność może spowodować obniżoną koncentrację i utratę kontroli nad urządzeniem.

Zasady bezpieczeństwa: elektryczność

- a. **Wtyczka urządzenia musi pasować do gniazdka. Nigdy nie modyfikuj wtyczki. Nie używaj żadnych przejściówek w połączeniu z urządzeniami elektrycznymi z uziemieniem.** Niemodyfikowane wtyczki i pasujące gniazdka ograniczają ryzyko porażenia prądem.
- b. **Unikaj kontaktu z uziemionymi powierzchniami, takimi jak rury, kaloryfery, lodówki i kuchenki.** Kontakt z uziemionym urządzeniem zwiększa ryzyko porażenia prądem.
- c. **Nie narażaj urządzeń elektrycznych na kontakt z deszczem lub wilgocią.** Znajdująca się w urządzeniu woda zwiększa ryzyko porażenia prądem.
- d. **Dbaj o przewód elektryczny. Nie przenoś, nie ciągnij i nie próbuj wyłączyć urządzenia trzymając za przewód. Przewód powinien znajdować się w bezpiecznej odległości od źródeł ciepła, oleju, ostrych krawędzi lub ruchomych części.** Uszkodzone lub poplątane przewody zwiększają ryzyko porażenia prądem.
- e. **Korzystając z urządzeń elektrycznych na zewnątrz, użyj przedłużacza nadającego się do stosowania na zewnątrz.** Użycie odpowiedniego przedłużacza pozwala zmniejszyć ryzyko porażenia prądem.
- f. **Jeśli korzystasz z urządzenia w wilgotnym pomieszczeniu, skorzystaj z gniazdka, na którym nie osadza się wilgoć.** Skorzystanie z odpowiedniego gniazdka pozwala ograniczyć ryzyko porażenia prądem.

Bezpieczeństwo osobiste

- a. **Podczas korzystania z urządzeń elektrycznych zachowaj ostrożność, kontroluj to, co robisz i używaj zdrowego rozsądku. Nie korzystaj z urządzenia jeśli czujesz się zmęczony, lub jesteś pod wpływem leków, alkoholu lub narkotyków.** Podczas pracy, chwila nieuwagi może doprowadzić do poważnych wypadków.
- b. **Używaj sprzętu ochronnego. Zawsze noś ochraniacze na oczy.** Maski przeciwpyłowa, obuwie na nieślizgających podszewkach, kask i ochraniacze na uszy zastosowane w odpowiedni sposób pozwolą zmniejszyć ryzyko obrażeń.
- c. **Zapobiegaj przypadkowemu włączeniu urządzeń: przed podłączeniem do prądu lub źródła zasilania, a także przed przeniesieniem urządzenia, upewnij się, czy urządzenie jest wyłączone.** Przenoszenie lub podłączanie do prądu włączonych urządzeń elektrycznych może doprowadzić do wypadków.
- d. **Przed włączeniem urządzenia, usuń wszystkie klucze regulujące jego pracę.** Klucz lub zacisk pozostawiony na ruchomej części urządzenia może spowodować wypadek.
- e. **Nie staraj się sięgnąć dalej, niż jest to bezpieczne. Zawsze zachowuj równowagę i stabilną postawę.** Dzięki temu w nieoczekiwanych sytuacjach zachowasz lepszą kontrolę nad urządzeniem.
- f. **Noś odpowiednią odzież. Zdejmij zbyt luźne rzeczy i biżuterię. Włosy, ubrania i rękawice powinny znajdować się poza zasięgiem ruchomych części urządzenia.** Luźne ubrania, biżuteria lub włosy mogą wplątać się w ruchome części.
- g. **Jeśli narzędzia zaopatrzone w urządzenie zbierające i magazynujące pył, upewnij się, że zostało ono poprawnie podłączone i użyte.** Użycie powyższych urządzeń ogranicza ryzyko wypadków.
- h. **Nie pozwól, aby doświadczenie wynikające z częstego używania narzędzi sprawiło, że stanieś się nieostrożny i zignorujesz zasady bezpiecznego używania narzędzi.** Nieostrożne działanie może w ułamku sekundy spowodować poważne obrażenia.

Konserwacja urządzeń elektrycznych

- a. **Nie obciążaj nadmiernie urządzeń elektrycznych.** Używaj odpowiednich narzędzi do rodzaju wykonywanej pracy. Odpowiednie narzędzie pomoże Ci wykonać pracę szybciej, bezpieczniej i efektywniej.
- b. **Nie korzystaj z urządzenia jeśli jego włącznik jest uszkodzony.** Urządzenia, których nie można w pełni kontrolować są bardzo niebezpieczne i powinny zostać oddane do naprawy.
- c. **Odłącz urządzenie od źródła zasilania przed rozpoczęciem jakichkolwiek prac konserwacyjnych, wymianą akcesoriów lub odłożeniem do miejsca przechowywania.** Dzięki temu zabezpieczysz się przed przypadkowym włączeniem urządzenia.
- d. **Przechowuj urządzenia poza zasięgiem dzieci i nie zezwalaj, aby z urządzenia korzystały osoby, które nie wiedzą, jak go poprawnie używać i które nie zapoznały się z instrukcją.** Urządzenia elektryczne w nieodpowiednich rękach mogą być bardzo niebezpieczne.
- e. **Dbaj o urządzenia elektryczne. Sprawdź, czy elementy ruchome są wypośrodkowane, nie zacinają się lub nie wystąpiły inne wady wpływające na pracę urządzenia. W przypadku zauważenia jakichkolwiek wad, przed rozpoczęciem pracy oddaj urządzenie do naprawy.** Uszkodzone narzędzia mogą spowodować wypadek.

- f. **Narzędzia przeznaczone do cięcia powinny być czyste i ostre.** Odpowiednia konserwacja ostrzy zapobiega wyginaniu i ułatwia kontrolowanie pracy urządzenia.
- g. **Korzystaj z urządzeń elektrycznych, akcesoriów i dodatków zgodnie z instrukcją oraz wyłącznie do wykonywania prac, do których są przeznaczone, zawsze biorąc pod uwagę warunki, w których praca będzie wykonywana.** Używanie elektronnarzędzia do prac niezgodnych z przeznaczeniem, może doprowadzić do sytuacji niebezpiecznej.
- h. **Uchwyty i powierzchnie chwytne powinny być suche, czyste i wolne od olejów i smarów.** Śliskie uchwyty i powierzchnie chwytne nie pozwalają na bezpieczne obchodzenie się z narzędziem i sterowanie nim w nieprzewidzianych sytuacjach.

Konserwacja i wykorzystanie urządzeń na baterie

- a. **Korzystaj wyłącznie z ładowarki określonej przez producenta.** Użycie ładowarki odpowiedniej dla innego rodzaju baterii może doprowadzić do pożaru.
- b. **Używaj narzędzi wyłącznie z zalecanymi bateriami.** Użycie innego rodzaju baterii może doprowadzić do pożaru lub innych wypadków.
- c. **Baterie powinny być przechowywane z dala od metalowych przedmiotów, takich jak spinacze do papieru, monety, klucze, śruby, gwoździe oraz inne drobiazgi, które mogą spowodować połączenie dwóch biegunów baterii.** Połączenie biegunów baterii może doprowadzić do pożaru.
- d. **Unikaj kontaktu z płynem wydostającym się z baterii w skutek nadmiernego użytkowania. Jeśli przypadkiem dotkniesz płynu, przemyj ręce wodą. Jeśli płyn dostanie się do oczu, skontaktuj się z lekarzem.** Płyn może doprowadzić do podrażnień i poparzeń.
- e. **Nie należy używać akumulatora lub narzędzia, które jest uszkodzone lub zmodyfikowane.** Uszkodzone lub zmodyfikowane akumulatory mogą charakteryzować się nieprzewidywalnym działaniem, co może spowodować pożar, wybuch lub ryzyko obrażeń.
- f. **Nie należy narażać akumulatora lub narzędzia na działanie ognia lub nadmiernej temperatury.** Narażenie na działanie ognia lub temperatury powyżej 130 °C może spowodować wybuch.
- g. **Należy przestrzegać wszystkich instrukcji ładowania i nie wolno ładować akumulatora ani narzędzia poza zakresem temperatur podanym w instrukcji.** Nieprawidłowe ładowanie lub ładowanie w temperaturze wykraczającej poza podany zakres może spowodować uszkodzenie akumulatora i zwiększyć ryzyko pożaru.

Serwis

- a. **Narzędzia elektryczne powinny być serwisowane przez wykwalifikowanego specjalistę korzystającego wyłącznie z oryginalnych części zamiennych.** Dzięki temu narzędzia elektryczne będą bezpieczne i odpowiednio konserwowane.
- b. **Nigdy nie należy serwisować uszkodzonych zestawów akumulatorów.** Serwisowanie zestawów akumulatorów powinno być wykonywane wyłącznie przez producenta lub autoryzowany serwis.

ZASADY BEZPIECZEŃSTWA DLA DANEGO URZĄDZENIA

Bezpieczne korzystanie z wkrętaka/wiertarki

W przypadku wykonywania czynności, podczas których element mocujący może zetknąć się z ukrytym okablowaniem, należy trzymać elektronarzędzie za izolowane powierzchnie chwytne. Elementy złączne stykające się z przewodem „pod napięciem” mogą spowodować, że odsłonięte metalowe części elektronarzędzia będą przewodzić prąd i mogą spowodować porażenie prądem operatora.

Użyj odpowiednich urządzeń, lub skontaktuj się z administracją budynku aby sprawdzić, czy w powierzchni, w której chcesz wiercić nie znajdują się żadne przewody. Uszkodzenie przewodów elektrycznych może doprowadzić do pożaru lub porażenia prądem. Uszkodzenie linii gazowej może doprowadzić do wybuchu. Uszkodzone rury z wodą mogą zalać lub doprowadzić do porażenia prądem.

Należy natychmiast wyłączyć elektronarzędzie w przypadku zablokowania lub zaklinowania się narzędzia, na wystąpienie wysokiego poziomu momentu reakcji, który może spowodować odrzut. Narzędzie zostaje zablokowane, gdy:

- elektronarzędzie jest narażone na przeciążenie
- lub zaklinuje się w obrabianym elemencie.

Trzymaj mocno narzędzie. Podczas wkręcania i poluzowywania śrub, gdy zmniejszy się opór, urządzenie może mocniej szarpnąć, ponieważ nabierze większych obrotów. **Zabezpiecz powierzchnię, nad którą pracujesz.** Umieszczenie jej w imadle jest bezpieczniejsze niż podtrzymywanie ręką.

Miejsce pracy powinno być czyste. Mieszanki poszczególnych materiałów są szczególnie niebezpieczne. Pył z lekkich stopów może się zapalić lub eksplozować.

Zanim odłożysz maszynę, upewnij się, czy uległa całkowitemu zatrzymaniu. Umieszczone w narzędziu wiertła mogą się zaklinować i doprowadzić do utraty kontroli nad urządzeniem.

Unikaj przypadkowego włączenia maszyny. Przed zainstalowaniem baterii upewnij się, że jest wyłączona. Przenoszenie urządzenia przy jednoczesnym trzymaniu palca na włączniku lub podłączanie baterii gdy urządzenie jest włączone może doprowadzić do wypadku.

Zasady bezpiecznego korzystania z ładowarek



Wyłącznie do użytku w pomieszczeniu.

Ładowarka nie powinna być narażona na wilgoć. Woda, która dostanie się do ładowarki zwiększa ryzyko porażenia prądem.

Nie używaj ładowarki do ładowania innych baterii. Ładowarka powinna być używana wyłącznie do ładowania baterii dostarczonej z urządzeniem. Ładowanie innych baterii może doprowadzić do pożaru lub wybuchu.

Zachowaj baterię i ładowarkę w czystości. Zanieczyszczenie może doprowadzić do porażenia prądem.

Przed każdym użyciem sprawdź ładowarkę, przewód i wtyczkę. Jeśli zauważysz jakiegokolwiek wady, nie korzystaj z urządzenia. Nigdy nie staraj się otwierać lub naprawiać ładowarki. Wszystkie naprawy powinny być dokonywane przez wykwalifikowanych specjalistów. Uszkodzenie baterii, ładowarki lub przewodu zwiększa ryzyko porażenia prądem.

Nie korzystaj z ładowarki na łatwopalnych powierzchniach (papier, materiał itp.). Nagrzewanie baterii podczas ładowania może doprowadzić do pożaru.

Dzieci nie powinny korzystać z ładowarki.

INFORMACJE O DRGANIACH I HAŁASIE

Poziom drgań i hałasu

Poziom emisji drgań i hałasu podany w niniejszej instrukcji obsługi został zmierzony zgodnie ze znormalizowanym testem określonym w normie EN 62841. Można go użyć do porównania jednego narzędzia z innym oraz jako wstępnej oceny narażenia na drgania i hałas podczas używania narzędzia do zastosowań wymienionych w niniejszym podręczniku. Jednakże używanie narzędzia do różnych zastosowań lub z różnymi lub źle konserwowanymi akcesoriami może znacznie zwiększyć poziom zagrożenia.

Przy określaniu poziomu narażenia na drgania i hałas należy również uwzględnić czas, kiedy narzędzie jest wyłączone lub kiedy pracuje, ale nie jest używane, ponieważ może to znacznie zmniejszyć poziom zagrożenia w całym okresie pracy. Chroni się przed skutkami drgań i hałasu poprzez konserwację narzędzia i jego akcesoriów, zapewnienie ciepła rąk i organizację pracy.

Inne rodzaje zagrożeń

Nawet jeśli elektronarzędzie jest używane zgodnie z zaleceniami, nie jest możliwe wyeliminowanie wszystkich innych czynników ryzyka. W związku z budową i konstrukcją elektronarzędzia mogą wystąpić następujące zagrożenia:



Uszkodzenie płuc w przypadku nie noszenia skutecznej maski przeciwpyłowej.



Uszkodzenie słuchu w przypadku nie stosowania skutecznych ochronników słuchu.



Uszczerbek na zdrowiu spowodowany drganiami, jeśli elektronarzędzie jest używane przez dłuższy czas lub nie jest właściwie obsługiwane i konserwowane.



OSTRZEŻENIE! Niniejsze elektronarzędzie wytwarza podczas pracy pole elektromagnetyczne. W pewnych okolicznościach pole to może zakłócać działanie aktywnych lub pasywnych implantów medycznych. Aby zmniejszyć ryzyko poważnych lub śmiertelnych obrażeń, zalecamy osobom z implantami medycznymi, aby przed rozpoczęciem obsługi tego urządzenia skonsultowały się ze swoim lekarzem i producentem implantów medycznych.

MONTAŻ

Przed rozpoczęciem konserwacji urządzenia lub wymianą akcesoriów, a także podczas transportu lub przechowywania przełącznik kierunku obrotów powinien znajdować się w środkowej (neutralnej) pozycji. Przypadkowe naciśnięcie spustu może spowodować obrażenia.

Ładowanie śrubokręta

Najpierw należy zapoznać się z instrukcją bezpieczeństwa, a następnie postępować zgodnie z instrukcją ładowania.

Podłącz końcówkę kabla USB-C do portu USB-C (Fot. 2) (A) we wkładaku. Następnie podłącz drugą końcówkę kabla USB do ładowarki USB lub gniazda USB, które może zapewnić wystarczającą moc do ładowania wkładaka. Upewnij się, że na kablu nie ma żadnych węzłów ani ostrych zagięć.

Po podłączeniu wkładaka do sieci elektrycznej za pomocą kabla USB-C, trzy diody na wkładaku (fot. 2) (B) zapalają się, aby wskazać stan ładowania:

- Pulsujące światło - ładowanie w toku
- Stałe światło - ładowanie zakończone

Po całkowitym naładowaniu akumulatora wkładaka, gdy wkładak pozostaje podłączony do zasilania, diody będą się świecić. W normalnych warunkach użytkowania wkładak może być ładowany kilkaset razy.

UWAGA! Podczas ładowania akumulator nagrzewa się. Nie zaleca się ładowania akumulatora w temperaturach niższych niż zero stopni Celsjusza. W miarę upływu czasu akumulator będzie się rozładowywał nawet, jeżeli narzędzie nie jest używane.

UWAGA! Akumulator dostarczany wraz z wkładarką został naładowany wyłącznie do przeprowadzenia testów i należy go w pełni naładować przed pierwszym użyciem.

Akumulator litowo-jonowy jest zabezpieczony przed całkowitym rozładowaniem dzięki systemowi „Electronic Cell Protection (ECP)”. Kiedy akumulator jest pusty urządzenie wyłącza się dzięki obwodowi ochronnemu: urządzenie przestaje się obracać.



OSTRZEŻENIE Nie wolno dalej przyciskać przełącznika Włącz/Wyłącz po tym, jak urządzenie zostanie automatycznie wyłączone. Może to spowodować uszkodzenie akumulatora.



OSTRZEŻENIE! Ładowanie akumulatora powinno odbywać się na niepalnej powierzchni. Nie wolno ładować akumulatora dłużej niż osiem godzin.

INSTRUKCJA UŻYCIA

Razem z tym prostym, bezprzewodowym wkrętakiem można stosować różne typy sześciokątnych nasadek o różnych długościach i średnicy 6.35mm (1/4").

Instalacja nasadek (Rys. 3)

Wybierz nasadkę pasującą do śruby. Włóż nasadkę we wgłębienie na śrubie, upewniając się, że jest odpowiednio dopasowana.

Uwaga: Przy użyciu tego produktu zaleca się wstępne nawiercenie niewielkiego otworu.

Włączanie i wyłączanie (ON i OFF)

Do wkręcania śrub należy przycisnąć przełącznik ON/OFF (3). Zwolnienie przełącznika ON/OFF spowoduje zatrzymanie wkrętarki. W celu wykręcenia śruby i zmiany kierunku obrotów należy nacisnąć przełącznik kierunku obrotów (7).

Blokada obrotów

Głowica wkrętaka blokuje się automatycznie po wyłączeniu urządzenia. Dzięki temu można korzystać z urządzenia jak ze zwykłego śrubokrętu.

Magnetyczny uchwyt na bity

Możesz włożyć aktualnie używane bity do magnetycznego uchwytu (5) znajdującego się w górnej części wkrętarki, by mieć je pod ręką.

Oświetlenie LED

Wkrętarka ma wbudowane oświetlenie LED oświetlające obszar roboczy. Oświetlenie LED włącza się każdorazowo przy naciśnięciu spustu i wyłącza się po zwolnieniu nacisku.

Konserwacja i czyszczenie

Dbaj, by wkrętarka była zawsze czysta i sucha, co zapewni jej prawidłowe i bezpieczne działanie. Usuń wszelkie zanieczyszczenia za pomocą miękkiej szmatki zwilżonej wodą. Nie używaj żadnych detergentów ani rozpuszczalników.

Dla zachowania bezpieczeństwa i prawidłowego działania urządzenia otwory wentylacyjne powinny być zawsze czyste.

Ten produkt jest przeznaczony do użytku domowego, a nie do zastosowań komercyjnych lub kwalifikowanych pomiarów przeprowadzanych przez profesjonalistów.

Zachowaj tę instrukcję na przyszłość.

Producent: IKEA of Sweden AB

Adres: Box. 702, SE-343 81 Älmhult, SZWECJA



Baterie i akumulatory nie są odpadami domowymi! Jako konsument jesteś zobowiązany przez prawo do pozbycia się wszystkich baterii i akumulatorów, niezależnie od tego, czy zawierają one substancje szkodliwe*, czy nie, w punkcie zbiórki w swojej gminie/ sąsiedztwie lub za pośrednictwem podmiotu komercyjnego oferującego utylizację baterii, tak aby mogły one zostać zutylizowane w sposób przyjazny dla środowiska.

* oznaczone: Cd = kadm, Hg = rtęć, Pb = ołów



Przekreślony symbol kosza na odpady oznacza, że oznaczony produkt nie może być wyrzucany wraz ze zmieszanyimi odpadami komunalnymi z gospodarstwa domowego. Zużyty sprzęt elektryczny i elektroniczny należy przekazać do przetwarzania i recyklingu zgodnie z obowiązującymi w danym kraju przepisami ochrony środowiska dotyczącymi gospodarowania odpadami. Selektywna zbiórka odpadów m.in. z gospodarstw domowych przyczynia się do zmniejszenia ilości odpadów przekazanych na składowiska lub do spalarni oraz ograniczenia ich potencjalnego negatywnego wpływu na zdrowie ludzi i środowisko. Aby uzyskać więcej informacji, skontaktuj się z najbliższym sklepem IKEA.

Eesti

TRIXIG akukruvikeeraja 3.6 V

TEHNILISED ANDMED

Mudel: TRIXIG

Tüüp: P2201

Pinge: 3.6 Vdc

Aku tüüp: 1.5 Ah/ 5.4Wh liitiumioonaku

Laadimisaeg: <300 min

Max pöördemoment: umbes 5 Nm

Max koormuseta kiirus: 200/min

Otsakuheidik: 6.35 mm (1/4")

Vibratsioon (vastavalt EN 62841-1, EN 62841-2-2):

Kruvi keeramine ilma löögita: $a_n=0.34 \text{ m/s}^2$, $K=1.5 \text{ m/s}^2$

Müra (vastavalt EN 62841-1):

Müra- ja vibratsioonitase $L_{pA} = 59 \text{ dB (A)}$, $K_{pA} = 3 \text{ dB (A)}$

Müra võimsuse tase $L_{wA} = 70 \text{ dB (A)}$, $K_{wA} = 3 \text{ dB (A)}$

AINULT SISERUUMIDES KASUTAMISEKS.

Soovitavad laadimisvõimsused:

5.0 V alalisvool / 1.0–3.0 A (tüüp C), laadimistemperatuur 0–50°C

Toote omadused

Esitatud toote omaduste numeratsioon viitab graafilisel lehel olevale joonisele nr 1.

1. Kruvikeeraja põhikorpused
2. Kruvikeeraja otsa hoidik
3. Sisse-/väljalülitamise lüliti
4. USB-C laadimispesa
5. Magnetiline otsa hoidik
6. LED-töötuli
7. Pöörlemis-suuna lüliti
8. LED-olekuindikaator

MÄRKUS!

USB-C kaabel ja USB-laadija ei kuulu komplekti.

KASUTUSALA

Elektriline kruvikeeraja sobib kruvide sisse keeramiseks ja eemaldamiseks.

Tööriista tohib kasutada ainult selle ettenähtud otstarbel. Mis tahes muud kasutust loetakse väärkasutuseks.

ÜLDISED OHUTUSJUHISED

Elektriliste tööriistade üldised ohutusjuhendid



HOIATUS! Lugege kõiki selle elektritööriistaga kaasas olevaid ohutushoiatusi, juhiseid, jooniseid ja tehnilist teavet. Mis tahes allpool loetletud juhiste eiramine võib põhjustada elektrilöögi, tulekahju ja/või raske vigastuse.

Säilitage kõik hoiatused ja juhised edaspidiseks kasutuseks.

Hoiatuses kasutatav termin „elektritööriist“ viitab vooluvõrgus (juhtmega) või akutoitega (juhtmeta) töötavale elektritööriistale.

Töökoha ohutus

- Hoidke töökoht puhas ja hästi valgustatud.** Segadus ja valgustamata tööpiirkonnad võivad põhjustada õnnetusi.
- Ärge kasutage elektrilisi tööriistu plahvatusohtlikus keskkonnas, nt kus leidub tuleohtlikke vedelikke, gaase või tolmu.** Elektrilisetest tööriistadest eraldub sädemeid, mis võivad süüdata tolmu/aurud .
- Hoidke lapsed ja teised isikud töökohast eemale.** Segamine võib põhjustada õnnetuse.

Elektriohutus

- Seadme pistik peab sobima pistikupesasse. Ärge muutke pistikut ühelgi juhul. Ärge kasutage adapter pistikuid maandatud (maandusega) tööriistadel.** Muutmata pistikud ja sobivad pistikupesad vähendavad elektrilöögi saamise riski.
- Vältige kontakti maandatud pindadega, nagu torud, radiaatorid, pliidid ja külmikud.** On suurenenud risk elektrilöögi saamiseks, kui teie keha on maandatud.
- Ärge jätke seadet vihma ja niiskuse kätte.** Vee sattumine elektritööriistale suurendab elektrilöögi saamise riski.
- Ärge kahjustage juhet. Ärge kunagi kasutage juhet seadme tassimiseks, ülesriputamiseks ega pistiku pistikupesast väljatõmbamiseks. Hoidke toitejuhet kuumuse, õli, teravate servade ja liikuvate osade eest.** Kahjustatud või keerdu juhtmed suurendavad elektrilöögi saamise ohtu.
- Kui töötate elektrilise tööriistaga vabas õhus, kasutage ainult pikendusjuhtmeid, mis sobivad välitingimustes kasutamiseks.** Välitingimustesse sobivate juhtmete kasutamine vähendab elektrilöögi saamise ohtu.
- Kui elektrilise tööriista kasutamine niiskes keskkonnas on vältimatu, kasutage rikkevooluseadmega kaitstud toidet.** Rikkevoolukaitsme kasutamine vähendab elektrilöögi saamise ohtu.

Ohutus

- a. **Püsige valvel, jälgige oma tegevust hoolikalt ja kasutage elektrilist tööriista mõistlikult. Ärge kasutage seadet, kui olete väsinud või narkootikumide, alkoholi või ravimite mõju all.** Juba üks hetk, mil teie tähelepanu hajub, võib lõppeda tõsise vigastusega.
- b. **Kasutage kaitsevarustust. Kaitske alati oma silmi.** Vastavas olukorras kasutuses olev kaitsevarustus, nagu tolmu- ja libisemiskindla tallaga jaltsid, kiiver, kuulmiskaitse, hoiab ära suurema vigastusohu.
- c. **Vältige soovimatut käivitumist: veenduge, et lüliti on OFF-positioonis enne, kui ühendate seadme vooluallika või akuga, ja enne, kui kannate tööriista ühest kohast teise.** Hoides näppu seadme kandmise ajal lüliti või lülitades seadme vooluvõrku, kui see on sisselülitatud, võite põhjustada õnnetuse.
- d. **Eemaldage reguleerimisvõti või mutrivõti enne, kui seadme sisse lülitate.** Mutrivõti või võti, mis on jäetud seadme pöörleva osa külge, võib põhjustada vigastusi.
- e. **Ärge pingutage üle. Vaadake, et püsiakude koguaeg tasakaalus ja teil oleks piisav toetuspind.** Nii on teil seadme üle suurem kontroll ka ootamatutes olukordades.
- f. **Riietage end vastavalt. Ärge kandke lohvakaid rõivaid või ehteid. Hoidke oma riided, juuksed ja kindad liikuvatest osadest eemal.** Lohvakad rõivad, ehted ja pikad juuksed võivad takerduda liikuvatesse osadesse.
- g. **Kui kaasas on ühendused, mis kinnituvad tolmu väljatõmbamiseks või kogumiseks mõeldud tarvikute külge, veenduge, et need on korralikult ühendatud ja kasutatud.** Selliste tarvikute kasutamine võib vähendada tolmu seotud ohte.
- h. **Ära lase tööriista sagedast kasutamisest tingitud vilumusel muuta end mugavaks ega ignoreeri tööriista kasutamise ohutuspõhimõtteid.** Hooletu tegevus võib põhjustada tõsiseid vigastusi vaid sekundite jooksul.

Elektrilise tööriista kasutamine ja hooldus

- a. **Vältige seadme ülekoormust. Kasutage töö tegemiseks selleks ettenähtud elektrilist tööriista.** Õige tööriist teeb, seda õige koormusega rakendades, töö paremini ja ohutumalt.
- b. **Ärge kasutage elektrilist tööriista, mille lüliti ei lülitu sisse või välja.** Elektriline tööriist, mida ei saa lüliti abil juhtida, on ohtlik ning seda tuleb remontida.
- c. **Ühendage pistik pistikupesast välja ja/või eemaldage seadme aku enne seadme reguleerimist, tarvikute vahetamist või seadme hoiustamist.** Sellised ennetavad turvameetmed aitavad ära hoida elektritööriista soovimatut käivitumist.
- d. **Hoidke elektrilisi tööriistu alati lastele kättesaamatus kohas ja ärge lubage kasutada inimestel, kes pole tutvunud seadme ohutusjuhenditega.** Elektrilised tööriistad võivad oskamatu kasutaja käes olla ohtlikud.
- e. **Hooldage elektrilist tööriista. Kontrolli, et seadme liikuvad osad ei painduks, oleks paigast ära, paindunud, murdunud või muul moel kahjustatud viisil, mis võib mõjutada seadme töökindlust.** Kui mõnel osal esineb kahjustusi, tuleb seade enne kasutamist parandada. Paljude õnnetuste põhjuseks on halvasti hooldatud elektrilised tööriistad.
- f. **Hoida lõiketerad teravad ja puhtad.** Õigesti hooldatud lõiketerad on teravad ja kiiluvad harvemini kinni ning neid on lihtsam juhtida.
- g. **Kasuta elektrilist tööriista, lisatarvikuid ja otsikuid vastavalt siin toodud juhistele ja nagu on ette nähtud seda tüüpi elektrilise tööriista puhul, võttes arvesse töötingimusi ja teostatava töö iseloomu.** Elektriliste tööriistade kasutamine

mitte selleks ettenähtud eesmärkidel võib põhjustada ohtlikke olukordi.

- h. Hoida käepidemed ja haaratavad pinnad kuivad, puhtad ning vabad õldest ja rasvainetest.** Libedad käepidemed ja haaratavad pinnad ei lase tööriista turvaliselt kasutada ning seda ootamatutes olukordades kontrollida.

Akutööriista kasutamine ja hooldamine

- a. **Laadige seadet ainult tootja poolt ettenähtud laadijaga.** Akulaadija, mis sobib teatud tüüpi akudele, võib olla tuleohtlik, kui seda kasutatakse teiste akudega.
- b. **Kasutage elektrilisi tööriistu ainult ettenähtud akudega.** Kõik teised akud võivad tekitada vigastusi ja tulekahju.
- c. **Kui patareisid ei kasutata, hoidke neid eemal metallesemetest nagu kirjaklambreid, mündid, võtmed, naelad, kruvid või muud väikesed metallist esemeid, mis võivad üksteise külge kinnituda ja patareid ühendada.** Lühise tagajärjel võite saada põletusi või võib tekkida tulekahju.
- d. **Patareist/akust vedeliku eraldumise korral vältige kontakti sellega. Kokkupuute korral loputage veega. Kui vedelik satub silma, pöörduge lisaks arsti poole.** Akust/patareidest eralduv vedelik võib põhjustada nahaärritusi või põletusi.
- e. **Ärge kasutage kahjustatud või muudetud akupakki ega tööriista.** Kahjustatud või muudetud akud võivad käituda ettearvamatult, põhjustades tulekahju, plahvatused või vigastuste ohtu.
- f. **Ärge laske akupakil või tööriistal puutuda kokku tule ega kõrge temperatuuriga.** Kokkupuude tulega või temperatuuriga üle 130 °C võib põhjustada plahvatused.
- g. **Järgige kõiki laadimisjuhiseid ja ärge laadige akupakki ega tööriista väljaspool juhistes määratud temperatuurivahemikku.** Valesti või väljaspool määratud temperatuurivahemikku laadimine võib akut kahjustada ja suurendada tulekahju ohtu.

Hooldus

- a. **Laske oma tööriista hooldada kvalifitseeritud parandaja juures, kasutades ainult sellele tööriistale ettenähtud varuosi.** See tagab elektrilise tööriista ohutuse säilimise.
- b. Ärge mitte kunagi hooldage kahjustatud akupakke. Akupakke tohivad hooldada ainult tootja või volitatud teenusepakkujad.

SEADMEPÕHISED OHUTUSJUHISED

Trelli ja kruvikeeraja ohutusjuhendid

Hoidke elektritööriista isoleeritud haardepindadest, kui teete toimingut, kus kinnitusdetailid võivad puutuda kokku varjatud juhtmetega. Voolu all oleva juhtmega kokku puutuvad kinnitusdetailid võivad muuta elektritööriista metallosad voolu juhtivaks ja põhjustada seadme kasutajale elektrilöögi.

Kasutage sobivaid detektoreid, et teha kindlaks, kas tööpiirkonnas on peidetud trasse või helistage kohalikesse kommunaalteenustesse. Kokkupuutel elektrijuhtmetega on tulekahju ja elektrilöögi saamise oht. Gaasijuhtme kahjustamine võib põhjustada plahvatused. Katkine veetoru võib põhjustada varalise kahju või elektrilöögi.

Lülitage elektritööriist kohe välja, kui tööriist on blokeeritud või kinni jäänud. Olge valmis suureks reaktsioonimomendiks, mis võib põhjustada tagasilööki. Tööriist blokeerub, kui:

- elektritööriist on ülekoormatud;
- või see jääb töödetaali kinni.

Hoidke masinat tugevalt. Kui keerate kruvisid lahti/kinni, võib korraks tekkida suur pöördemoment.

Kinnitage toorik. Toorik kinnitage klambrite või kruustangidega, see tagab detaili parema paigalpüsimise kui käsitsi kinnihoidmine.

Hoidke oma töökoht puhas. Materjalide segud on eriti ohtlikud. Kergete sulamite tolm on tuleohtlik või plahvatusohtlik.

Alati oodake, kuni masin on täielikult seiskunud, enne kui selle käest maha panete. Lisatud tööriista otsik võib kinni kiiluda ja te võite kaotada kontrolli masina üle.

Vältige seadme tahtmatut sisselülitamist. Enne aku sisestamist veenduge, et tööriist on välja lülitatud. Elektrilise tööriista kandmine, näpp päästikul või aku sisse panemine, kui tööriista päästik on „sisse“ asendis, võib põhjustada õnnetusi.

Laadija ohutusjuhend



Ainult siseruumides kasutamiseks.

Ärge jätke laadijat vihma või niiskuse kätte. Niiskuse tungimine laadijasse suurendab elektrilöögi saamise riski.

Ärge kasutage laadijat muude patareide laadimiseks. Laadija on ettenähtud ainult selle elektrilise tööriistaga koos tarnitud patareide laadimiseks. Muidu tulekahju- ja plahvatusoht.

Hoidke laadija puhas. Saastumine võib tekitada elektrilöögi saamise ohu.

Enne igat kasutuskorda kontrollige laadijat, juhet ja pistikut. Kui mõnel osal esineb kahjustusi, ei tohi laadijat kasutada. **Ärge kunagi avage laadijat iseseisvalt.** Seadet tohib parandada ainult kvalifitseeritud tehnik. Kahjustatud laadija, juhtmed ja pistikud suurendavad elektrilöögi saamise riski.

Ärge asetage laadijat kergesti süttivatele pindadele (paber, tekstiilid jne) või nende lähedusse. Laadimise ajal laadija kuumeneb ja on tuleohtlik.

Tuleb jälgida, et lapsed ei mängiks laadijaga.

VIBRATSIOONI JA MÜRA TEAVE

Vibratsioon ja müratase

Käesolevas kasutusjuhendis esitatud vibratsiooni ja müraheitme taset on mõõdetud standardi EN 62841 standardiseeritud testi alusel. Seda võib kasutada ühe tööriista võrdlemiseks teisega ning vibratsiooni ja müraga kokkupuute esialgseks hindamiseks, kui tööriista kasutatakse käesolevas juhendis nimetatud toimingute jaoks. Kuid tööriista kasutamine erineva toimingu puhul või erinevate või halvasti hooldatud tarvikutega võib kokkupuute taset märkimisväärselt suurendada.

Vibratsiooni ja müraga kokkupuute taseme hindamisel tuleb võtta arvesse ka aega, mil tööriist on välja lülitatud või kui see töötab, kuid seda ei kasutata, kuna see võib vähendada kokkupuute taset märkimisväärselt kogu tööaja jooksul. Kaitske end vibratsiooni ja müra mõjude eest, hooldades tööriista ja selle tarvikuid, hoides käed soojas ja organiseerides oma tööd.

Muud ohud

Isegi kui elektritööriista kasutatakse ettenähtud viisil, ei ole võimalik kõiki muid ohutegureid kõrvaldada. Elektritööriista konstruktsiooni ja disainiga seoses võivad tekkida järgmised ohud.



Kopsukahjustus, kui ei kasutata tõhusat tolmu maski.



Kuulmiskahjustus, kui ei kasutata tõhusat kuulmiskaitsevahendit.



Vibratsioonist tulenevad tervisekahjustused, kui elektritööriista kasutatakse pikema aja jooksul või kui seda ei käsitseta ega hooldata nõuetekohaselt.



HOIATUS! See elektritööriist tekitab töötamise ajal elektromagnetvälja. Mõnel juhul võib see väli häirida aktiivseid või passiivseid meditsiinilisi implantaate. Raskete või surmaga lõppevate vigastuste ohu vähendamiseks soovitame meditsiiniliste implantaatidega inimestel enne selle seadme kasutamist konsulteerida oma arsti ja meditsiinilise implantaadi tootjaga.

KOKKUPANEK

Enne seadme hooldustöid, osade vahetust jne ning transporti ja hoiustamist tuleb pöörlemissuuna lüliti seada keskmisesse asendisse. Päästiku tahtmatu vallandamine võib põhjustada vigastusi.

Akukruvikeeraja laadimine

Lugege esmalt ohutusjuhiseid ja seejärel järgige laadimisjuhiseid.

Ühendage USB-C-kaabli ots kruvikeeraja USB-C-porti (pilt. 2) (A). Seejärel ühendage USB-kaabli teine ots USB-laadijasse või USB-pistikupessa, mille toide on kruvikeeraja laadimiseks piisav. Kontrollige, et kaablis ei oleks sõlmesid ega teravaid painutusi. Kui kruvikeeraja on ühendatud elektritoitega USB-C kaabli abil, siis kruvikeeraja kolm diodi (pilt. 2) (B) süttivad, et näidata laadimise olekut järgmiselt.

- Vilkuv tuli: laadimine on pooleli.

- Püsiv tuli: laadimine on lõpetatud.

Kui kruvikeeraja aku on täielikult laetud ja kruvikeeraja jääb toiteallikaga ühendatuks, jäävad diodid põlema. Kruvikeeraja tavalistes kasutustingimustes saab seda laadida mitusada korda.

TÄHELEPANU! Laadides aku kuumeneb. Aku laadimine miinuskraadide käes ei ole soovitatav. Aja jooksul aku laetus väheneb – ka siis, kui tööriista ei kasutata.

PANE TÄHELE! Kruvikeerajaga kaasas olev aku on laetud vaid testimiseks ja see tuleb enne esimest kasutuskorda uuesti täis laadida.

Äärmise tühjenemise eest kaitseb liitiumioonakut EPC (elektrooniline akukaitse). Kui aku on tühi, lülitab kaitsesüsteem selle välja ja sisestatud otsak lakkab pöörlemast.



HOIATUS. Kui seade on end automaatselt välja lülitanud, ära jätka sisse-väljalülitusnupu vajutamist. See võib akut kahjustada.



HOIATUS! Lae akut mittesüttival pinnal. Ära lae akut järjest üle 8 tunni.

KASUTUSJUHISED

Sellele juhtmeta kruvikeerajale võite lisada erinevat tüüpi ja pikkusega kruvikeerajaotsikuid, millel on kuusnurkne jalg 6.35 mm (1/4 ").

Otsiku sisestamine (Joonis 3)

Valige õige kruvikeeraja otsik kruvidele, mida soovite kasutada. Sisestage otsik kruvikeerajasse, nii, et see kinnitub kindlalt pesasse.

Märkus: Enne selle kruvikeerajaga kruvide keerama asumist on soovitatav alati teha eelaugud.

Sisse- ja väljalülitamine

Kruvikeeraja kasutamiseks vajutage sisse-/väljalülitamise lülitit (3). Sisse-/väljalülitamise lüliti vabastamine peatab kruvikeeraja. Kruvide eemaldamiseks ja pöörlemissuuna muutmiseks vajutage pöörlemissuuna lülitit (7).

Võlli automaatlukustus

Tööriista võll lukustub automaatselt, kui tööriist on välja lülitatud. See võimaldab kasutada kruvikeerajat manuaalse tööriistana.

Magnetiga otsakuhoidja

Parajasti kasutatavaid otsakuid saab hoida kruvikeeraja peal oleval magnetiga otsakuhoidjal (5), et need oleksid töötades käepärast.

LED-töötuli

Kruvikeerajal on sisseehitatud LED-töötuli, mis valgustab tööpiirkonda. LED-tuli süttib päästiku vajutamisel ja kustub, kui päästik vabastatakse.

Hooldus ja puhastamine

Hoia kruvikeeraja alati kuiv ja puhas, et see töötaks õigesti ja ohutult. Määrumise korral puhasta seda vees niisutatud pehme lapiga. Ära kasuta puhastusaineid ega lahusteid.

Ohutuse ja töökorra huvides hoia seade ja selle ventilatsioonivad puhtad.

Toode on kodus kasutamiseks, mitte teenuse pakkumiseks ega erialaseks tööks.

Hoidke kasutusjuhend alles edaspidiseks kasutamiseks.

Tootja: IKEA of Sweden AB

Address: Box 702, SE-343 81 Älmhult, ROOTSI



Patareid ja laetavad akud ei ole olmeprügi! Tarbijana olete seadusega kohustatud kõik patareid ja akud kasutusest kõrvaldama, olenemata sellest, kas need sisaldavad kahjulikke aineid* või mitte, teie omavalitsuses/naabruskonnas asuvas kogumispunktis või patareide kõrvaldamist pakkuvas asutuses, et neid saaks kõrvaldada keskkonnale ohutul viisil.

* tähistatud järgmiselt: Cd = kaadmium, Hg = elavhõbe, Pb = plii



Läbikriipsutatud prügikasti märk tähendab, et toode tuleb hävitada olmeprügist eraldi. Toode tuleb viia ümbertötluspunkti kooskõlas kohalike keskkonnakaitse regulatsioonidega, mis puudutavad jäätmekäitlust. Eraldades tähistatud toote olmeprügist, aitate vähendada jäätmete kogust, mis saadetakse põletusahju või prügimägedele ja minimeerite nii võimalikku negatiivset mõju inimeste tervisele ja keskkonnale. Täpsema info saamiseks võtke ühendust IKEA keskusega.

Latviešu

TRIXIG bezvadu skrūvgriezis, 3.6 V

TEHNISKĀ SPECIFIKĀCIJA

Modelis: TRIXIG

Tips: P2201

Spriegums: 3.6 Vdc

Akumulatora tips: 1.5 Ah/ 5.4Wh litija jonu

Uzlādes laiks: <300 min

Maksimālais griezes moments cietiem materiāliem: aptuveni 5 Nm

Maks. apgriezienu skaits tukšgaitā: 200/min

Uzgaļu turētājs: 6.35 mm (1/4")

Vibrācija (atbilstoši EN 62841-1 un EN 62841-2-2 standartam):

skrūvējot bez trieciena funkcijas: $a_n=0.34 \text{ m/s}^2$, $K=1.5 \text{ m/s}^2$.

Trokšņa līmenis (atbilstoši EN 62841-1 standartam):

Trokšņa spiediena līmenis $L_{PA} = 59 \text{ dB (A)}$, $K_{PA} = 3 \text{ dB (A)}$

Trokšņa jaudas līmenis $L_{WA} = 70 \text{ dB (A)}$, $K_{WA} = 3 \text{ dB (A)}$

LIETOŠANAI TIKAI IEKŠTELPĀS.

Ieteiktās uzlādes nominālvērtības:

5.0 V lādēstrāva /1.0–3.0 A (C tips), uzlādes temperatūra 0–50 °C

Preces daļas

Parādītie produkta funkciju numuri attiecas uz 1. attēlu grafiku lapā.

1. Skrūvgrieža galvenais korpuss
2. Skrūvgrieža uzgaļu turētājs
3. Ieslēgšanas/izslēgšanas slēdzis
4. USB-C uzlādes kontaktligzda
5. Magnētiskais urbja uzgaļu turētājs
6. LED darba gaisma
7. Rotācijas virziena slēdzis
8. LED jaudas statusa indikators

PIEZĪME!

USB-C kabelis un USB lādētājs nav iekļauts komplektācijā.

PIELIETOJUMS

Elektriskais skrūvgriezis paredzēts skrūvju ieskrūvēšanai un izskrūvēšanai.

Instrumentu drīkst izmantot tikai paredzētajam nolūkam. Jebkura cita izmantošana tiek uzskatīta par neatbilstošas lietošanas gadījumu.

VISPĀRĪGA DROŠĪBAS INSTRUKCIJA

Vispārīga elektroinstrumentu drošības instrukcija



BRĪDINĀJUMS! Izlasiet visus drošības brīdinājumus, norādījumus, attēlus un specifiskācijas, kas iekļautas šī elektroinstrumenta komplektācijā. Neievērojot visus tālāk sniegtos norādījumus, iespējams elektriskās strāvas trieciens, aizdegšanās un/vai nopietnas traumas.

Saglabājiet visus brīdinājumus un norādījumus, lai tos izmantotu turpmākai atsaucēi.

Brīdinājumos izmantotais jēdziens "elektroinstrumenti" tiek attiecināts ar elektrotīkla darbināto (ar vadu) elektroinstrumentu vai akumulatora darbināto (bezvada) elektroinstrumentu.

Darba zonas drošība

- Nodrošiniet, lai darba zona būtu tīra un labi apgaismota.** Nekārtīgās un tumšās vietās iespējami negadījumi.
- Nedarbiniet elektroinstrumentus sprādzienbīstamā vidē, piemēram, uzliesmojošu šķidrumu, gāzu vai putekļu klātbūtnē.** Elektroinstrumenti rada dzirksteles, kas var aizdedzināt putekļus vai izgarojumu tvaikus.
- Elektroinstrumenta darbināšanas laikā tā tuvumā nedrīkst atrasties bērni un citas nepiederošas personas.** Nevērības dēļ var zaudēt vadību pār ierīci.

Elektrodrošība

- Elektroinstrumenta kontaktspraudņiem ir jāatbilst kontaktligzdai. Nekādā veidā nepārveidojiet kontaktspraudni. Nelietojiet nekādus spraudsavienojumus kopā ar iezemētiem elektroinstrumentiem.** Lietojot nepārveidotus kontaktspraudņus un atbilstošas kontaktligzdas, tiek samazināts elektriskās strāvas trieciena risks.
- Izvairieties no saskares ar iezemētām virsmām, piemēram, caurulēm, radiatoriem, plītīm un ledusskapjiem.** Elektriskās strāvas trieciena risks palielinās, ja jūsu ķermenis ir iezemēts.
- Nepakļaujiet elektroinstrumentus lietus vai mitruma iedarbībai.** Ūdens iekļūšana elektroinstrumentos palielina elektriskās strāvas trieciena risku.
- Pareizi izmantojiet vadu. Nekad lietojiet vadu, lai elektroinstrumentu pārvietotu, vilktu vai izslēgtu. Neturiet vadu karstumā un eļļu, asmeņu vai kustīgu daļu tuvumā.** Bojāti vai sapinušies vadi palielina elektriskās strāvas trieciena risku.
- Darbinot elektroinstrumentu ārpus telpām, izmantojiet pagarinātāju, kas piemērots lietošanai ārpus telpām.** Izmantojot vadu, kas ir paredzēts lietošanai ārpus telpām, tiek samazināts elektriskās strāvas trieciena risks.
- Ja nevar izvairīties no elektroinstrumenta darbināšanas mitrās vietās, izmantojiet barošanu, kas aizsargāta ar noplūdes strāvas aizsardzības ierīcēm.** Noplūdes strāvas aizsardzības ierīču izmantošana samazina elektriskās strāvas trieciena risku.

Personiskā drošība

- a. **Darbinot elektroinstrumentu, esiet piesardzīgs, sekojiet līdzi tam, ko darāt, un lietojiet veselo saprātu. Nelietojiet elektroinstrumentu, ja esat noguris vai atrodaties narkotisku vielu, alkohola vai medikamentu iedarbībā.** Mirkļus neuzmanības elektroinstrumentu darbināšanas laikā var izraisīt smagus miesas bojājumus.
- b. **Lietojiet personiskos aizsarglīdzekļus. Vienmēr izmantojiet acu aizsargus.** Aizsarglīdzekļi, piemēram, pretputekļu maska, neslīdoši drošības apavi, ķivere vai dzirdes aizsargierīces, kas izmantoti atbilstošos apstākļos, pasargās no savainojumiem.
- c. **Pasargājiet ierīci no nejaušas iedarbināšanas Pirms ierīces pacelšanas, pārvietošanas vai pievienošanas strāvas avotam un/vai akumulatora blokam pārliecinieties, vai slēdzis ir izslēgtā stāvoklī.** Elektroinstrumentu pārvietošana, turot pirkstu uz slēdža, vai sprieguma padeve elektroinstrumentiem, kuriem ir ieslēgts slēdzis, var izraisīt negadījumus.
- d. **Pirms ieslēdzat elektroinstrumentu, noņemiet visas regulēšanas atslēgas vai uzgriežņatslēgas.** Uzgriežņatslēga vai atslēga, kas atstāta piestiprināta pie elektroinstrumentu rotējošās daļas, var izraisīt miesas bojājumus.
- e. **Pārmērīgi neizstiepiet rokas. Vienmēr pareizi atbalstieties un noturiet līdzsvaru.** Tādējādi nodrošināsiet efektīvāku elektroinstrumenta vadību neparedzētās situācijās.
- f. **Lietojiet piemērotu apērību. Nevelciet brīvu apērību vai rotaslietas. Nodrošiniet, lai mati, apērbs un cimdi nenonāktu kustīgo daļu tuvumā.** Brīvs apērbs, rotaslietas un gari mati var iekerties kustīgajās daļās.
- g. **Ja ierīces ir paredzēts pievienot putekļu nosūkšanas un savākšanas ierīcēm, nodrošiniet, lai tās tiktu pareizi pievienotas un izmantotas.** Putekļu savācēju izmantošana var samazināt ar putekļiem saistīto kaitīgumu.
- h. **Pat tad, ja darbarīkus lieto bieži, ir jā saglabā modrība un jāievēro drošības nosacījumi.** Nevērība rada nopietnu ievainojumu risku.

Elektroinstrumenta lietošana un apkope

- a. **Nesteidziniet elektroinstrumenta darbību. Izmantojiet darbam piemērotāko elektroinstrumentu.** Pareizā elektroinstrumenta darbs būs efektīvāks un drošāks, strādājot tam paredzētajā ātrumā.
- b. **Nelietojiet elektroinstrumentu, ja nedarbojas tā slēdzis.** Elektroinstrumenta, kuram nedarbojas slēdzis, ir bīstams, un tas ir jāremontē.
- c. **Pirms veicat kādus pielāgojumus, mainīt piederumus vai novietojat elektroinstrumentu glabāšanā, atvienojiet kontaktspraudni no strāvas avota un/vai akumulatora bloku -no elektroinstrumenta.** Šādi profilaktiski drošības pasākumi samazina elektroinstrumenta nejaušas iedarbināšanas risku.
- d. **Uzglabājiet elektroinstrumentus bērniem nepieejamās vietās un neļaujiet tos darbināt personām, kas nepārzina elektroinstrumenta darbību vai nav iepazinušas ar šiem norādījumiem.** Elektroinstrumenti ir bīstami, ja ar tiem rīkojas neapmācīti lietotāji.
- e. **Elektroinstrumentu apkope. Pārbaudi instrumenta kustīgo daļu savienojumus, pārliecinies, vai neviena no kustīgajām daļām nav iesprūdsi, vai instrumentam nav salauzta detaļu vai citu bojājumu, kas varētu ietekmēt instrumenta funkcijas.** Ja elektroinstrumentam ir bojājumi, tie pirms instrumenta lietošanas jānovērš. Neatbilstoša elektroinstrumentu apkope ir daudzu nelaimes gadījumu cēlonis.

- f. **Griezējinstrumentu asmeņiem jābūt uzasinātiem un tīriem.** Griezējinstrumenti, kam ir veikta atbilstoša apkope un uzasināti asmeņi, retāk iesprūst un ir vieglāk vadāmi.
- g. **Elektroinstrumentu, tā piederumus un asmeņus lieto atbilstoši šai instrukcijai un mērķim, kam konkrētais elektroinstruments ir paredzēts, ņemot vērā darba apstākļus un veicamo darbu.** Elektroinstrumenta izmantošana citiem mērķiem, nekā konkrētais elektroinstruments paredzēts, var radīt bīstamas situācijas.
- h. **Rokturiem un saskares virsmām jābūt sausām un tīrām, un uz tām nedrīkst būt eļļas vai tauku.** Slideni rokturi un saskares virsmas neļauj droši rīkoties ar darbarīku un to kontrolēt negaidītās situācijās.

Akumulatora instrumentu lietošana un kopšana

- a. **Uzlādējiet akumulatorus tikai lādēšanas ierīcēs, ko iesaka ražotājs.** Lādēšanas ierīcei, kas piemērota noteiktam akumulatoru veidam, pastāv ugunsgrēka risks, ja tā tiek lietota ar citu akumulatoru.
- b. **Izmantojiet elektroinstrumentos tikai tiem speciāli paredzētus akumulatorus.** Cītu akumulatoru lietošana var izraisīt traumu un ugunsgrēka risku.
- c. **Kad akumulators netiek izmantots, glabājiet to drošā attālumā no tādiem metāla priekšmetiem kā saspauzes, monētas, atslēgas, naglas, skrūves un citiem nelieliem metāla priekšmetiem, kas var savienot abas spailes.** Īssavienojums var izraisīt apdegumus vai ugunsgrēku.
- d. **Ja akumulators tiek lietots nepareizi, no tā var izplūst šķidrums. Izvairieties no kontakta ar to. Nejauša kontakta gadījumā skalojiet ar ūdeni. Ja šķidrums nonāk acīs, sazinieties ar ārstu.** Akumulatora šķidrums var izraisīt ādas iekaisumus vai apdegumus.
- e. **Neizmantojiet bojātu vai modificētu akumulatoru bloku vai instrumentu.** Bojātu vai modificētu akumulatoru darbība var būt neparedzama un izraisīt aizdegšanos, sprādzienu vai traumas gūšanas risku.
- f. **Nepakļaujiet akumulatoru komplektu vai rīku uguns vai pārmērīgi augstas/zemas temperatūras iedarbībai.** Pakļaušana uguns iedarbībai vai temperatūrai, kas pārsniedz 130 °C, var izraisīt sprādzienu.
- g. **Rīkojieties saskaņā ar visiem uzlādes norādījumiem un neuzlādējiet akumulatoru bloku vai instrumentu ārpus norādījumos minētā temperatūras diapazona.** Neatbilstoša uzlāde vai uzlāde temperatūrā, kas pārsniedz norādīto diapazonu, var izraisīt akumulatora bojājumus un palielināt aizdegšanās risku.

Apkope

- a. **Elektroinstrumentu remontu drīkst veikt tikai kvalificēta persona, izmantojot vienīgi oriģinālas vai tām identiskas rezerves daļas.** Šādā veidā tiek nodrošināta elektroinstrumenta drošība.
- b. **Nekad neveiciet bojātu akumulatoru bloku tehnisko apkopi.** Akumulatoru bloku tehniskā apkope jāveic tikai ražotājam vai pilnvarotiem pakalpojumu nodrošinātājiem.

DROŠĪBAS TEHNIKAS INSTRUKCIJA

Urbju un skrūvgriežu drošības brīdinājumi

Veicot darbību, kuras laikā stiprinājums var nokļūt saskarē ar apslēptiem elektroinstalācijas vadiem, satveriet elektroinstrumentu aiz izolētajām turēšanas virsmām. Stiprinājumi, kas saskaras ar elektrotīklam pieslēgtu vadu, var padarīt elektroinstrumenta atklātās metāla daļas par vadītājiem un sagādāt operatoram elektriskās strāvas triecienu.

Lai noskaidrotu, vai darba zonā neatrodas komunālo pakalpojumu līnijas, lietojiet piemērotu indikatoru vai sazinieties ar vietējo komunālo pakalpojumu uzņēmumu. SASKARSMĒ AR ELEKTROLĪNIJĀM VAR IZRAISĪT UGUNSGRĒKU VAI ELEKTRISKĀS STRĀVAS TRIECIENU. Bojājumi gāzes vadā var izraisīt sprādzienu. Ūdensvada bojājumi var izraisīt īpašuma bojājumus vai elektriskās strāvas triecienu.

Ja elektroinstruments tiek bloķēts vai iestrēgst, nekavējoties izslēdziet to. Gatavojieties augstam reaktīvajam momentam, kas var izraisīt atsitienu. Instrumenta bloķēšana notiek, ja:

- elektroinstruments tiek pakļauts pārslodzei;
- tas tiek iekļīlēts sagatavē.

Turiet elektroinstrumentu cieši. Reaktīvais griezes moments parasti rodas skrūvēšanas laikā.

Nofiksējiet zāgējamo materiālu. Ar skavām nofiksēts materiāls ir stabilāks par materiālu, kas tiek pieturēts ar rokām.

Darba zonai jābūt tīrai. Dažādu materiālu saskarsme var būt bīstama. Viegļmetālu sakausējumu putekļi var aizdegties vai uzsprāgt.

Pirms ierīces nolikšanas nost, pārlicinieties, ka tā ir pilnībā apstājusies. Pretējā gadījumā ierīcē var iestrēgt kāds priekšmets, un jūs varat zaudēt kontroli pār to.

Nekādā gadījumā nelietojiet ierīci ar bojātu vadu. Ja vads sabojājas ierīces lietošanas laikā, nekādā gadījumā to neaiztieciot un nekavējoties atslēdziet ierīci no strāvas padeves avota. Bojāti vadi var izraisīt elektriskās strāvas triecienu.

Akumulatoru lādētāju drošības brīdinājumi



Lietošanai tikai iekštelpās.

Sargājiet lādētāju no lietus un mitruma, lai samazinātu elektriskās strāvas trieciena risku.

Lādējiet vienīgi akumulatorus, kas iekļauti elektroinstrumenta komplektā. Nav paredzēts citu akumulatoru lādēšanai. Pretējā gadījumā pastāv ugunsgrēka un sprādziena risks.

Akumulatora lādētājam jābūt tīram. Liels netīrumu daudzums var izraisīt elektriskās strāvas triecienu.

Pirms katras lietošanas reizes pārbaudiet lādētāju, tā kabeli un kontaktdakšu. Bojājumu gadījumā to nedrīkst lietot. Nemēģiniet lādētāju atvērt. Tā remonts jāveic kvalificētam speciālistam. Bojāts lādētājs, tā vads un kontaktdakša paaugstina strāvas trieciena risku.

Nelietojiet lādētāju uz viegli uzliesmojošām virsmām (piemēram, papīra, audumiem utt.) vai to tuvumā. Lādētājs lietošanas laikā sakarst, paaugstinot ugunsgrēka risku. **Uzraugiet, lai bērni ar lādētāju nespēlētos.**

INFORMĀCIJA PAR VIBRĀCIJĀM UN TROKSNI

Vibrāciju un trokšņa līmenis

Šajā lietošanas rokasgrāmatā norādītais vibrāciju un trokšņu emisiju līmenis ir mērīts saskaņā ar standartizētu testu, kas minēts standartā EN 62841. To var izmantot dažādu instrumentu salīdzināšanai un kā līdzekli, lai iepriekš novērtētu pakļaušanu vibrācijām un troksnim, izmantojot instrumentu šajā rokasgrāmatā minētajiem gadījumiem. Ja instrumentus tiek izmantots citiem gadījumiem, ar atšķirīgiem vai neatbilstoši uzturētiem piederumiem, ekspozīcijas līmenis var būtiski paaugstināties.

Aprēķinot ekspozīcijas pret vibrācijām un troksni līmeni, ir jāņem vērā arī tās reizes, kad instruments ir izslēgts vai darbojas, bet netiek izmantots, jo tas var būtiski samazināt ekspozīcijas līmeni kopējā darba periodā. Aizsargājiet sevi pret vibrāciju un trokšņa ietekmi, nodrošinot instrumenta un tā piederumu uzturēšanu, gādājot, lai plaukstas būtu siltas, un organizējot darbu.

Citi riski

Pat ja elektroinstrumenti tiek lietoti atbilstoši norādījumiem, nevar izslēgt visus pārējos riska faktorus. Saistībā ar elektroinstrumenta konstrukciju un dizainu var rasties tālāk minētie apdraudējumi.



Plaušu bojājumi, ja netiek izmantota efektīva putekļu aizsargmaska.



Dzirdes bojājumi, ja netiek izmantoti efektīvi dzirdes aizsarglīdzekļi.



Vibrāciju izraisīts veselības kaitējums, ja elektroinstrumenti tiek izmantoti ilgstošu periodu vai nav atbilstoši lietoti un uzturēti.



BRĪDINĀJUMS! Šis elektroinstrumentu darbības laikā rada elektromagnētisko lauku. Dažos apstākļos šis lauks var izraisīt aktīvo vai pasīvo medicīnisko implantu darbības traucējumus. Lai samazinātu nopietnu vai letālu traumu risku, personām ar medicīniskiem implantiem ieteicams pirms šīs ierīces lietošanas konsultēties ar ārstu un medicīniskā implanta ražotāju.

MONTĀŽA

Pirms jebkādu darbību veikšanas ar ierīci (piemēram, kopšanas, instrumentu nomaiņas utt.), kā arī to transportējot vai uzglabājot, vienmēr pārliecināties, ka rotācijas slēdzis atrodas vidus pozīcijā. Netīša slēdža nospiešana var izraisīt traumas.

Akukruvikeeraja laadimine

Vispirms izlasiet drošības norādījumus un pēc tam izpildiet uzlādes norādījumus. Pievienojiet USB-C kabeļa galu pie USB-C porta (2. attēls) (A) skrūvgriezī. Pēc tam pievienojiet otru USB kabeļa galu USB lādētājam vai USB kontaktlīdzdai, kas var nodrošināt pietiekamu jaudu, lai uzlādētu skrūvgriezi. Pārliecinieties, vai kabelī nav mezglu vai asu līkumu.

Kad skrūvgriezim ir izveidots savienojums ar elektrības padevi, izmantojot USB-C kabeli, iedegas trīs diodes skrūvgriezī (2. attēls) (B), norādot uzlādes statusu:

- pulsējoša gaisma — notiek uzlāde;
- degoša gaisma — uzlāde ir pabeigta.

Pēc skrūvgrieža akumulatora pilnas uzlādes, kamēr skrūvgriezim ir izveidots savienojums ar barošanas avotu, diodes turpina degt. Standarta lietošanas apstākļos skrūvgriezi var atkārtoti uzlādēt vairākus simtus reizi.

UZMANĪBU! Lādēšanas laikā akumulators uzsilst. Akumulatoru nav ieteicams lādēt temperatūrā, kas zemāka par 0 °C. Pat ja instruments netiek izmantots, akumulators ar laiku izlādējas.

UZMANĪBU! Komplektā iekļautais skrūvgrieža akumulators ir tikai daļēji uzlādēts testa vajadzībām. Pirms pirmās lietošanas reizes to nepieciešams uzlādēt pilnībā.

Litija-jonu akumulatorā ir pielietota elektroniskā elementu aizsardzība (Electronic Cell Protection (ECP)), kas to pasargā no dziļās izlādes. Ja akumulators ir izlādējies, Ipaša aizsardzības sistēma instrumentu izslēdz, un tas pārtrauc kustēties.



BRĪDINĀJUMS! Ja instruments ir automātiski izslēdzies, nespīest ieslēgšanas/izslēgšanas slēdzi. Tā var sabojāt akumulatoru.



BRĪDINĀJUMS! Akumulatora lādēšana jāveic uz neuzliesmojošas virsmas. Uzlādi nedrīkst veikt ilgāk par 8 stundām.

LIETOŠANAS INSTRUKCIJA

Šis vienkāršais akumulatora skrūvgriezis piemērots dažāda veida un garuma uzgaļiem ar seškanšu turētāju 6.35mm.

Skrūvgrieža uzgaļa ievietošana (3. attēls)

Izvēlieties piemērotu uzgali. Ievietojiet uzgali skrūvgrieža uzgaļu atverē, pārliecinoties, ka tas ir stingri nofiksēts.

Uzmanību: skrūvējot skrūves ar šo instrumentu, vispirms ieteicams izurbt caurumu.

Ieslēgšana un izslēgšana

Lai ieskrūvētu skrūves, nospiediet ieslēgšanas/izslēgšanas slēdzi (3). Atlaižot ieslēgšanas/izslēgšanas slēdzi, skrūvgriezis tiek apturēts. Lai izņemtu skrūves un mainītu rotācijas virzienu, nospiediet rotācijas virziena slēdzi (7).

Vārpstas automātiskā fiksācija

Kad skrūvgriezis ir izslēgts, tā vārpsta automātiski nofiksējas. Tas ļauj elektrisko skrūvgriezi izmantot kā parasto skrūvgriezi.

Magnētisks uzgaļu turētājs

Konkrētam darbam nepieciešamos uzgaļus var likt skrūvgrieža augšpusē esošajā magnētiskajā uzgaļu turētājā (5), lai tie būtu pa rokami.

LED darba apgaismojums

Skrūvgriezim ir iebūvēts LED darba apgaismojums, kas izgaismo darba zonu. LED darba apgaismojums ieslēdzas un izslēdzas līdz ar skrūvgriezi.

Apkope un tīrīšana

Lai skrūvgriezi varētu droši izmantot, tam visu laiku jābūt tīram un sausam. Putekļus vai citus netīrumus noslaucīt ar mīkstu, mitru drānu. Nelietot tīrīšanas līdzekļus un šķīdinātājus.

Pareizai un drošai ierīces lietošanai vienmēr pārliecināties, ka ventilācijas atveres ir tīras.

Šī prece ir paredzēta lietošanai mājāsaimniecībā, nevis komerciālām vajadzībām vai profesionālai lietošanai.

Hoidke kasutusjuhend alles edaspidiseks kasutamiseks.

Tootja: IKEA of Sweden AB

Adress: Box 702, SE-343 81 Älmhult, ROOTSI



Patareid ja laetavad akud ei ole olmeprügi! Tarbijana olete seadusega kohustatud kõik patareid ja akud kasutusest kõrvaldama, olenemata sellest, kas need sisaldavad kahjulikke aineid* või mitte, teie omavalitsuses/naabruskonnas asuvas kogumispunktis või patareide kõrvaldamist pakkuvas asutuses, et neid saaks kõrvaldada keskkonnale ohutul viisil.

* tähistatud järgmiselt: Cd = kaadmium, Hg = elavhõbe, Pb = plii



Nosvītrotais atkritumu konteiners simbols norāda, ka prece jālikvidē atsevišķi no citiem sadzīves atkritumiem. Šī prece jānodod pārstrādei, ņemot vērā vietējos vides aizsardzības noteikumus, kas attiecas uz atkritumu apsaimniekošanu. Nošķirot marķēto preci no sadzīves atkritumiem, jūs palīdzēsiet samazināt atkritumu apjomu, kas nonāk atkritumu sadedzināšanas iekārtās vai atkritumu poligonos, tādējādi samazinot to potenciālo negatīvo ietekmi uz veselību un vidi. Sīkāka informācija IKEA veikalos.

Lietuvių

TRIXIG belaidis suktuvas 3.6 V

TECHNINĖS SPECIFIKACIJOS

Modelis: TRIXIG

Tipas: P2201

Įtampa: 3.6 Vdc

Baterijos tipas: 1.5 Ah/ 5.4Wh ličio jonų

Įkrovos trukmė: <300 min

Maks. kietasis sukimo momentas: apie 5 Nm

Maks. greitis be apkrovos: 200/min

Antgalių laikiklis: 6.35 mm (1/4")

Vibracija (pagal EN 62841-1, EN 62841-2-2):

Nesmūginis gręžimas: $a_h = 0.34 \text{ m/s}^2$, $K = 1.5 \text{ m/s}^2$.

Triukšmas (pagal EN 62841-1):

Garso slėgio lygis $L_{pA} = 59 \text{ dB (A)}$, $K_{pA} = 3 \text{ dB (A)}$

Garso galios lygis $L_{wA} = 70 \text{ dBA}$, $K_{wA} = 3 \text{ dBA}$

NAUDOTI TIK VIDUJE.

Rekomenduojami įkrovimo rodikliai:

5.0V d.c. / 1.0-3.0A (C tipas), įkrovimo temperatūra 0-50 °C

Gaminio savybės

Pavaizduotų gaminio savybių numeracija atitinka iliustraciją Nr. 1 grafiniame puslapyje.

1. Suktuvo pagrindinis korpusas
2. Suktuvo antgalio laikiklis
3. ĮJUNGIMO / IŠJUNGIMO jungiklis
4. USB-C įkrovimo lizdas
5. Magnetinio antgalio laikiklis
6. Darbinė LED lemputė
7. Sukimosi krypties jungiklis
8. Šviesadiodis (LED) maitinimo būsenos indikatorius

DĖMESIO!

USB-C laidas ir USB įkroviklis nepridedami.

NAUDOJIMO PASKIRTIS

Elektrinis atsuktuvas skirtas įsukti ir išsukti varžtus.

Įrankis turi būti naudojamas tik pagal paskirtį. Bet koks kitas naudojimas laikomas netinkamo naudojimo atveju.

BENDROS SAUGOS INSTRUKCIJOS

Bendros elektrinių įrankių saugos instrukcijos



ĮSPĖJIMAS! Perskaitykite visus saugos įspėjimus, instrukcijas, peržiūrėkite iliustracijas ir specifikacijas, pateiktas su šiuo elektriniu įrankiu. Jei nesilaikysite visų toliau išvardytų nurodymų, galite patirti elektros smūgį, sukelti gaisrą ir (arba) sunkiai susižeisti.

Išsaugokite visus įspėjimus ir instrukcijas, kad galėtumėte peržiūrėti ateityje

Terminas „elektrinis įrankis“ įspėjimuose reiškia jūsų iš elektros tinklo maitinamą (laidinį) elektrinį įrankį arba baterijomis maitinamą (belaidį) elektrinį įrankį.

Darbo vieta

- Darbo vieta turi būti švari ir tinkamai apšviesta.** Daugiau nelaimingų atsitikimų įvyksta netvarkingose ir tamsiose darbo vietose.
- Draudžiama naudoti elektrinius įrankius potencialiai sprogioje aplinkoje, pavyzdžiui, šalia degių skysčių, dujų ar dulkių.** Kibirkštys atsirandančios naudojant elektrinius įrankius gali sukelti gaisrą.
- Dirbant su elektriniu įrankiu, vaikai ir pašaliniai asmenys turi būti kuo toliau nuo darbo vietos.** Jie gali blaškyti.

Elektros sauga

- Elektrinio įrankio kištukas turi sutapti su lizdu. Draudžiama bet koku būdu keisti kištuką ir naudoti adapterius, kuriais įžeminami elektros įrankiai.** Naudodami nepakeistus kištukus ir atitinkamus lizdus sumažinsite elektros šoko galimybę.
- Venkite kūno sąlyčio su įžemintais paviršiais, pavyzdžiui, vamzdynais, radiatoriais, viryklėmis ir šaldytuvais.** Jei kūnas įžemintas, didėja elektros šoko rizika.
- Saugokite elektrinius įrankius nuo lietaus ir drėgmės.** Vanduo patekęs į elektrinį įrankį gali sukelti elektros šoką.
- Nepažeiskite laido. Neneškite įrankio, netraukite jo iš lizdo paėmę už laido. Saugokite laidą nuo karščio, tepalų, aštrių kraštų ar judančių mechanizmų.** Elektros šoko rizika didėja, jei laidas pažeistas ar supainiotas.
- Naudodami elektrinį įrankį lauke, junkite prie tinkamo naudoti lauke prailgintuvo.** Šitaip apsisaugosite nuo elektros šoko.
- Jei būtina naudoti elektrinį įrankį drėgnoje aplinkoje, naudokite įrankį su likutinės srovės grandinės pertraukikliu (RCD).** Tokiu būdu sumažinsite elektros šoko riziką.

Asmeninė sauga

- Dirbdami su elektriniu įrankiu, būkite dėmesingi ir racionalūs. Nereikėtų naudoti įrankio, kai esate pavargę. Draudžiama juo dirbti apsvaigus nuo vaistų ar alkoholio.** Bet koks nedėmesingumas naudojant įrankį gali baigtis sužalojimais.

- b. **Naudokite asmenines apsaugos priemones. Dėvėkite apsauginius akinius.** Nuo sužalojimų apsaugos kvėpavimo takų apsauginės priemonės, avalynė neslystančiais padais, šalmas ir ausinės ar ausų kištukai.
- c. **Saugokite, kad įrankis neįsijungtų netikėtai: prieš jungiant į lizdą/baterijos bloką, keliant ar nešant įrankį jungiklis turi būti OFF padėtyje.** Pavojinga nešti įrankį laikant pirštą ant jungiklio ar jungti kištuką į lizdą, kai jungiklis padėtyje ON.
- d. **Prieš įjungdami elektrinį įrankį, nuimkite raktus ar veržliarakčius.** Galima susižaloti, jei jie bus palikti prie sukamųjų įrankio dalių.
- e. **Nepersisverkite. Stovėkite patogiai, tvirtai ir laikykite pusiausvyrą.** Šitaip valdysite įrankį ir išvengsite netikėtumų.
- f. **Dėvėkite tinkamus drabužius. Jie neturi būti laisvi. Nusiimkite visus papuošalus. Saugokite, kad plaukai, drabužiai ir pirštinės nepatektų į judančias detales.** Laisvi rūbai, papuošalai ar ilgi palaidi plaukai gali lengvai pakliūti tarp besisukančių dalių.
- g. **Jei įrankiai sujungiami su dulkių ištraukimo ir surinkimo prietaisais, patikrinkite, ar jie tinkamai prijungti ir naudojami.** Naudojant tokius prietaisus mažėja dulkių sukeliama nelaimingų atsitikimų rizika.
- h. **Ilgiau naudojantis įrankiu gali atrodyti, kad viskas puikiai žinoma ir nėra būtinybės paisyti instrukcijų bei saugaus naudojimo taisyklių,** tačiau neatsargus, neatsakingas elgesys gali akimirksniu baigtis rimtu sužalojimu.

Elektrinio įrankio naudojimas ir priežiūra

- a. **Nespartinkite elektrinio įrankio, nenaudokite jėgos. Naudokite įrankius pagal paskirtį.** Bet kokį darbą su tinkamu pagal numatytą paskirtį įrankiu atlikite lengviau, saugiau ir kokybiškiau.
- b. **Nenaudokite įrankio, jei neveikia jungiklis.** Pavojinga dirbti su tokiu įrankiu, sutaisykite jį.
- c. **Prieš reguliuodami, keisdami priedus ar palikdami įrankį ilgiam laikui, ištraukite kištuką iš maitinimo lizdo ir/ar baterijos bloko.** Taip elektrinis įrankis neįsijungs netikėtai.
- d. **Elektrinius įrankius saugokite nuo vaikų ir neleiskite jais naudotis asmenims, nemokantiems juo naudotis ar nesusipažinusiems su naudojimo ir saugos instrukcijomis.** Tai pavojinga.
- e. **Tinkamai prižiūrėkite elektrinius įrankius. Tikrinkite visas judančias dalis, ar jos neatsilaisvino, nesulankstytos, nesulūžusios, ir pan. Jei elektrinis įrankis nėra tinkamos būklės – sutaisykite.** Daug nelaimingų atsitikimų įvyksta dėl netvarkingų elektrinių įrankių naudojimo.
- f. **Pjovimo įrankiai turi būti pagaląsti ir švarūs.** Tinkamai prižiūrinimus pjovimo įrankius su aštriomis geležtėmis lengviau valdyti, jie rečiau susilanksto.
- g. **Naudokite elektrinius įrankius, jų priedus, antgalius ir kita pagal naudojimo instrukcijas ir tik pagal paskirtį, atsižvelgdami į įrankio rūšį, darbo sąlygas bei atliekamą darbą.** Pavojinga naudoti elektrinius įrankius ne pagal paskirtį.
- h. **Rankenos, kiti paviršiai, už kurių laikote įrankį, turi būti sausus, švarios, neišteptos riebiais produktais.** Jei rankena slidi, nepavyks tinkamai laikyti įrankį ir jį suvaldyti įprastomis ar netikėtai susiklosčiusiomis aplinkybėmis.

Akumulatorinio įrankio naudojimas ir priežiūra

- a. **Įkraukite tik gamintojo nurodytu įkrovikliu.** Naudojant kito akumulatoriaus įkroviklį galima sukelti gaisrą.

- b. Įrankius naudokite tik su jam skirtu baterijų bloku. Naudojant kito įrankio bloką galima sukelti gaisrą.
- c. **Kai baterijos nenaudojamos, jas reikia laikyti atokiai nuo kitų metalinių daiktų, pavyzdžiui, sąvaržėlių, monetų, raktų, vinių, varžtų ar kitų mažų metalinių daiktų, kurie galėtų sujungti gnybtus.** Įvykus trumpam jungimui, galima nudegti ar sukelti gaisrą.
- d. **Netinkamai naudojant, iš akumulatoriaus gali išsilieti skystis; venkite sąlyčio su juo. Jei patenka ant odos, plaukite vandeniu. Jei patenka į akis, kreipkitės į gydytoją.** Iš akumulatoriaus/baterijų išsiliėjęs skystis gali dirginti ir nudeginti.
- e. **Nenaudokite pažeistos arba modifikuotos sudėtinės baterijos ar įrankio.** Pažeistos ar modifikuotos baterijos gali veikti nenusėjamai, dėl to gali kilti gaisras, sproginimas arba kyla pavojus susižeisti.
- f. **Nepalikite sudėtinės baterijos ar įrankio šalia ugnies ar aukštoje temperatūroje.** Ugnies poveikis arba aukštesnė nei 130 °C temperatūra gali sukelti sproginimą.
- g. **Vykdykite visas įkrovimo instrukcijas ir neįkraukite sudėtinės baterijos ar įrankio už instrukcijoje nurodyto temperatūros diapazono ribų.** Įkraunant netinkamai arba esant aukštesnei nei nurodyta temperatūrai, gali būti pažeistas akumulatorius ir padidėti gaisro pavojus.

Aptarnavimas

- a. **Elektrinius įrankius turi taisyti kvalifikuotas specialistas, naudojantis tik originalias atsargines detales.**
Tokių būdu įrankis bus tinkamai prižiūrimas ir naudojamas.
- b. **Niekada patys netaisykite pažeistų sudėtinių baterijų.** Sudėtinės baterijas turėtų taisyti tik gamintojas arba įgaliotasis paslaugų teikėjas.

SPECIALŪS SAUGOS NURODYMAI

Grąžtų ir sukvtvų naudojimo saugos nurodymai

Atlikdami operaciją, kai tvirtinimo elementas gali liestis su paslėptais laidais, laikykite elektrinį įrankį už izoliuoto laikomojo paviršiaus. Tvirtinimo detalės, besiliečiančios su „įtampinguoju“ laidu, gali padaryti atviras metalines elektrinio įrankio dalis laidžias ir taip sukelti operatoriui elektros smūgį

Naudokite tinkamus paslėptų darbo vietoje elektros laidų ir pan., jei tokių yra, paieškos prietaisus arba kreipkitės į vietos komunalinių paslaugų tiekėjus. Užkliudžius ar pažeidus elektros laidus, galima sukelti gaisrą ir elektros šoką. Pažeidus dujų vamzdžius, galima sukelti sproginimą, o sugadinus vandentiekio linijas, galima užlieti vandeniu ir sugadinti turtą arba sukelti elektros šoką.

Užsiblokavus ar užstrigus elektriniam įrankiui, nedelsdami jį išjunkite. Būkite pasirėngę dideliam reakcijos sukimo momentui, kuris gali sukelti atatrėnką. Įrankis užblokuojamas, kai:

- elektrinis įrankis patiria perkrovą
- arba jis užstringa ruošinyje.

Tvirtai laikykite įrankį. Įsukant ir išsukant varžtus galimas trumpas reakcinio sukimo momentas.

Suspauskite dirbinį spaustuvais. Taip saugiau, nei laikyti jį rankomis.

Dirbinys turi būti švarus. Susidarę medžiagų mišiniai yra ypač pavojingi. Lengvų lydinių dulksės gali užsidegti ir sprogti.

Prieš padėdami įrankį į šalį, palaukite, kol jis visiškai sustos. Įrankio įdėklas gali užstrigti ir įrankį bus sunku suvaldyti.

Saugokite, kad įrankis neįsijungtų netikėtai. Prieš įdedant baterijų bloką, jungiklis turi būti OFF padėtyje. Pavojinga nešti įrankį laikant pirštą ant jungiklio ar dėti baterijų bloką, kai jungiklis padėtyje ON.

Įkroviklių naudojimo saugos nurodymai



Skirta naudoti tik patalpoje.

Saugoti įkroviklį nuo vandens ir drėgmės. Vanduo patekęs į elektrinį įrankį gali sukelti elektros šoką.

Nekraukite kitų akumuliatorių. Įkroviklis skirtas tik įkrauti prie elektrinio įrankio pridėdamą akumuliatorių. Nesilaikant šio reikalavimo, galima sukelti gaisrą ir sproгимą.

Įkroviklis turi būti švarus. Nešvarumai gali tapti elektros šoko priežastimi.

Prieš naudojimą, kiekvieną kartą patikrinkite įkroviklį, jo laidą ir kištuką. Jei randate bet kokių pažeidimų, įkroviklio nenaudokite. Nemėginkite ardyti įkroviklio. Visus remonto darbus turi atlikti tik kvalifikuotas specialistas. Elektros šoko rizika padidėja, naudojant netinkamas būklės įkroviklius, pažeistais laidais ar kištukais.

Nenaudokite įkroviklio ant degių paviršių (pvz., popieriaus, tekstilės ir pan.) ar degioje aplinkoje. Krovimo metu įkroviklis įkaista, todėl tokioje aplinkoje gali kilti gaisras. **Draudžiama vaikams žaisti su įkrovikliu.**

INFORMACIJA APIE VIBRACIJĄ IR TRIUKŠMĄ

Vibracijos ir triukšmo lygis

Šioje naudojimo instrukcijoje nurodytas vibracijos ir triukšmo lygis buvo išmatuotas atlikus standartizuotą bandymą, nurodytą EN 62841. Jis gali būti naudojamas lyginant vieną įrankį su kitu ir kaip preliminarus vibracijos ir triukšmo poveikio įvertinimas, kai įrankis naudojamas šioje instrukcijoje nurodytoms reikmėms. Tačiau naudojant įrankį kitoms reikmėms arba su kitais ar prastai prižiūrimais priedais, poveikio lygis gali žymiai padidėti.

Apskaičiuojant vibracijos ir triukšmo poveikio lygį, taip pat reikėtų atsižvelgti į laiką, kai įrankis yra išjungtas arba kai jis veikia, bet nenaudojamas, nes tai gali gerokai sumažinti poveikio lygį per visą darbo laikotarpį. Apsaugokite save nuo vibracijos ir triukšmo poveikio prižiūradami įrankį ir jo priedus, dirbdami šiltomis rankomis ir organizuodami darbą.

Kitos rizikos

Net kai elektrinis įrankis naudojamas taip, kaip nurodyta, neįmanoma pašalinti visų kitų rizikos veiksnių. Dėl elektrinio įrankio konstrukcijos ir dizaino gali kilti toliau išvardyti pavojai:



Plaučių pažeidimas, jei nedėvima veiksminga dulkių kaukė.



Klausos pažeidimas, jei nenaudojama veiksminga klausos apsauga.



Jei elektrinis įrankis naudojamas ilgesnį laiką arba su juo netinkamai elgiamasi ir jis netinkamai prižiūrimas, dėl vibracijos daroma žala sveikatai.



ĮSPĖJIMAS! Šis elektrinis įrankis eksploatacijos metu sukuria elektromagnetinį lauką. Tam tikromis aplinkybėmis šis laukas gali trukdyti aktyviems ar pasyviems medicininiam implantams. Siekiant sumažinti sunkių ar mirtinų sužalojimų riziką, rekomenduojame asmenims, turintiems medicininis implantus, prieš naudojant šį aparatą pasitarti su gydytoju ir medicininį implantų gamintoju.

SURINKIMAS

Prieš pradėdami įrankio remonto ar priežiūros darbus, taip pat jį gabendami ar sandėliuodami, nustatykite sukimo krypties jungiklį ties centru. Atsitiktinai įjungus jungiklį, kyla grėsmė susižeisti.

Suktuvo įkrovimas

Prijunkite USB-C laido galą prie USB-C prievado (Pav. 2) (A) sukтуve. Tada prijunkite kitą USB laido galą prie USB įkroviklio arba USB lizdo, kuris gali suteikti pakankamai energijos sukтуvui įkrauti. Įsitinkinkite, kad kabelyje nėra mazgų ar aštrių lenkimų.

Kai suktuvas yra prijungtas prie elektros tiekimo USB-C kabeliu, trys diodai ant atsuktuvo (pav. 2) (B) užsidega, kad būtų nurodyta įkrovimo būseną:

- Pulsuojanti šviesa – vyksta įkrovimas
- Pastovi šviesa – įkrovimas baigtas

Kai suktuvo baterija yra visiškai įkrauta ir suktuvas lieka prijungtas prie maitinimo šaltinio, diodai liks degti. Įprastomis naudojimo sąlygomis sukтуvą galima įkrauti kelis šimtus kartų.

DĖMESIO! Įkraunama baterija įkaista. Nereikėtų baterijos krauti ten, kur temperatūra žemiau nulio. Baterija po kurio laiko išseks, net nenaudojant įrankio.

SVARBU! Komplekte esanti sukтуvo baterija įkrauta iš dalies – tik testavimo tikslu, todėl, prieš naudojant sukтуvą, ją reikia įkrauti iki galo.

Elektroninė elementų apsauga (ECP) apsaugo ličio jonų bateriją nuo visiško išsikrovimo. Kai baterija tuščia, įrankį išjungia apsauginė grandinė: įstatytas antgalis nustoja sukstis.



ĮSPĖJIMAS! Nespauskite įjungimo / išjungimo mygtuko, jei įrankis išsijungė automatiškai. Taip galite sugadinti bateriją.



SVARBU! Palikite įrankį krautis ant nedegaus paviršiaus. Kraukite ne ilgiau kaip aštuonias valandas.

NAUDOJIMO INSTRUKCIJOS

Belaidį atsuktuvą galima naudoti su įvairių tipų ir ilgių antgaliais šešiakampe galvute, 6.35 mm.

Atsuktuvo antgalių įstatymas (3 pav.)

Pasirinkite tinkamą antgalį pagal varžtus. Tvirtai įstatykite antgalį į atsuktuvo laikiklį.

Dėmesio: Rekomenduojama išgręžti nedidelę skylutę, prieš sukant varžtą.

ĮJUNGIMAS ir IŠJUNGIMAS

Norėdami pradėti naudoti suktuvą, spauskite ĮJUNGIMO ir IŠJUNGIMO jungiklį (3). Atleidus ĮJUNGIMO / IŠJUNGIMO jungiklį, suktuvas bus sustabdytas. Norėdami nuimti varžtą ir pakeisti sukimosi kryptį, paspauskite sukimosi krypties jungiklį (7).

Automatinis blokavimas

Išjungus įrankį, jo velenas automatiškai blokuojamas. Tokiu būdu atsuktuvą galima naudoti kaip paprastą įrankį.

Magnetinis antgalio laikiklis

Suktuvo viršuje esantį magnetinį antgalių laikiklį (5) galite naudoti tuo metu reikalingiems antgaliams laikyti – taip juos visada turėsite po ranka.

Darbinė LED lemputė

Suktuve įmontuota darbinė LED lemputė, apšviečianti darbo vietą. Darbinė LED lemputė užsidega kiekvieną kartą, kai nuspaudžiamas jungiklis, ir išsijungia, kai jungiklis atleidžiamas.

Priežiūra ir valymas

Siekdami užtikrinti tinkamą ir saugų suktuvo veikimą, pasirūpinkite, kad jis visada būtų švarus ir sausas. Nešvarumus ar apnašas valykite švelnia vandeniu sudrėkinta šluoste. Nenaudokite jokių valymo priemonių ar tirpiklių.

Siekiant užtikrinti saugų darbą, įrankis ir jo vėdinimo angos visada turi būti švarios.

Šis gaminytis yra skirtas naudoti namuose, o ne komerciniams ar specialistų atliekamiems kvalifikuotiems matavimams.

Hoidke kasutusjuhend alles edaspidiseks kasutamiseks.

Tootja: IKEA of Sweden AB

Address: Box 702, SE-343 81 Älmhult, ROOTSI



Pataraeid ja laetavad akud ei ole olmeprügi! Tarbijana olete seadusega kohustatud kõik pataraeid ja akud kasutusest kõrvaldama, olenemata sellest, kas need sisaldavad kahjulikke aineid* või mitte, teie omavalitsuses/naabruskonnas asuvas kogumispunktis või pataraeid kõrvaldamist pakkuvas asutuses, et neid saaks kõrvaldada keskkonnale ohutul viisil.

* tähistatud järgmiselt: Cd = kaadmium, Hg = elavhõbe, Pb = plii



Perbraukto atliekų konteinerio simbolis reiškia, kad gaminio atliekų negalima tvarkyti kartu su kitomis buitinėmis atliekomis. Gaminys turi būti perdirbamas pagal šalies aplinkosaugos reikalavimus. Atskirdami taip pažymėtą gaminį nuo buitinių atliekų padėsite sumažinti atliekų kiekius išvežamus į švartynus ar deginimo vietas, ir galima neigiamą poveikį žmogaus sveikatai bei gamtai. Daugiau informacijos jums suteiks parduotuvėje IKEA.

Slovensky

TRIXIG Akumulátorový skrutkovač 3.6 V

TECHNICKÉ ŠPECIFIKÁCIE

Model: TRIXIG

Typ: P2201

Napätie: 3.6 Vdc

Typ batérie: 1.5 Ah/ 5.4Wh lítium-iónová

Doba nabíjania: <300 min

Max. tvrdý krútiaci moment: cca. 5 Nm

Maximálna rýchlosť bez zataženia: 200/min

Držiak bitov: 6.35 mm (1/4")

Vibrácie (podľa EN 62841-1, EN 62841-2-2):

Skrutkovanie bez príkľepu: $a_h = 0.34 \text{ m/s}^2$, $K = 1.5 \text{ m/s}^2$

Hluk (podľa EN 62841-1):

Hladina hluku $L_{pA} = 59 \text{ dB (A)}$, $K_{pA} = 3 \text{ dB (A)}$

Hladina hluku $L_{wA} = 70 \text{ dB (A)}$, $K_{wA} = 3 \text{ dB (A)}$

LEN NA VNÚTORNÉ POUŽITIE.

Priporočení podatki polnjenja:

5.0 VDC, / 1.0–3.0 A (tip C), temperatura polnjenja 0–50 °C

Súčasti výrobku

Številke, ki označujejo funkcie izdelka, se nanašajo na sliko št. 1 na strani z ilustracijami.

1. Glavno ohišje vijačnika
2. Vpenjalna glava vijačnika
3. Stikalo za vklop/izklop
4. Vtičnica USB-C za polnjenje
5. Magnetno držalo za nastavke
6. Delovna lučka LED
7. Stikalo za smer vrtenja
8. LED indikátor stavu napájania

OPOMBA!

Kabel USB-C in polnilnik USB nista priložena.

OBLASTI VYUŽITIA

Elektrický skrutkovač je vhodný na upevnenie a uvoľnenie skrutiek.

Orodje se sme uporať samo za predpísaný namen. Vsaka drugačná uporaba se šteje za nepravilno.

VŠEOBECNÉ BEZPEČNOSTNÉ INFORMÁCIE

Všeobecné informácie o bezpečnosti



OPOZORILO! Preberite vsa varnostna opozorila, navodila, ilustracije in specifikacije, ki so priložena temu električnemu orodju. Če ne boste upoštevali vseh spodaj navedenih navodil, lahko pride do električnega udara, požara in/ali hude poškodbe.

Shranite vsa opozorila in navodila za poznejšo uporabo.

Izraz „električno orodje“ v opozorilih se nanaša na električno orodje, ki se napaja iz električnega omrežja (z napajalnim kablom), ali električno orodje, ki se napaja iz akumulatorja (baterijsko).

Pracovná zóna

- Pracovnú zónu udržite čistou a dobre osvetlenú.** Znečistené a tmavé priestory sú náchylnejšie na nehody.
- Zariadenie nepoužívajte vo výbušných prostrediach, ako napríklad v prítomnosti horľavých kvapalín, plynov či prachu.** Zariadenie iskrí, čím môže spôsobiť vznietenie výparov.
- Pri manipulácii držte deti a okolostojacich mimo dosahu zariadenia.** Rozptyľovanie môže znamenať stratu kontroly.

Elektro-bezpečnosť

- Zástrčka zariadenia musí sedieť do elektrickej zásuvky. Nikdy zástrčku nijakým spôsobom nemodifikujte. Nepoužívajte žiadne uzemňovacie adaptéry.** Nemodifikovanie zástrčky znižuje riziko elektrického šoku.
- Vyhňte sa kontaktu s uzemnenými zariadeniami, ako potrubie, radiátory či chladničky.** V prípade uzemnenia vášho tela sa zvyšuje riziko elektrického šoku.
- Nevystavujte zariadenie dažďu či vlhkým podmienkam.** Ak vnikne voda do zariadenia, mohla by zvýšiť riziko elektrického šoku.
- Kábel nepreťažujte. Nikdy nepoužívajte kábel na nosenie, ťahanie či odpájanie zariadenia. Udržite ho mimo dosahu tepla, oleja, ostrých rohov či pohyblivých súčiastok.** Poškodené a zamotané káble zvyšujú riziko elektrického šoku.
- V prípade vonkajšej manipulácie so zariadením, použite dodatočný kábel vhodný na vonkajšie použitie.** Použitie takéhoto kábla znižuje riziko elektrického šoku. Zariadenie používajte vždy s reziduálnym vypínačom elektr. obvodu.
- Manipulácia so zariadením vo vlhkom prostredí je nevyhnutná.** Použite reziduálne napájanie (RCD). RCD znižuje riziko elektrického šoku.

Osobná bezpečnosť

- Buďte ostražití, dávajte pozor a pri manipulovaní sa riadte základnými pravidlami pri manipulácii so zariadením. Nepoužívajte zariadenie, ak ste unavení, pod vplyvom drog, alkoholu alebo liekov.** Chvilka nepozornosti počas manipulácie so zariadením by mohla spôsobiť naozaj vážne zranenia.

- b. **Používajte bezpečnostné vybavenie. Vždy používajte ochranné zariadenie očí.** Ochranné vybavenie ako plynovú masku, protišmykovú obuv, ochrannú prilbu a ochranu do uší používajte pri vyžadujúcich podmienkach.
- c. **Vyhňte sa nehodám. Ubezpečte sa, že pred zapnutím je zariadenie v polohe off.** Ak prenášate zariadenie, nedotýkajte sa prstami vypínača ani ho nezapájajte do zásuvky, zvyšuje to riziko nehôd.
- d. **Odstráňte všetky kľúče pred zapnutím zariadenia.** Neopatrné trhnutie alebo zanechaný kľúč sa môže dostať do rotačnej hlavice a spôsobiť naozaj závažne zdravotné zranenia.
- e. **Nepreceňujte svoje sily. Udržujte náležité podkladové zariadenia a rovnováhu.** Zvyšuje to kontrolu nad zariadením v neočakávaných situáciách.
- f. **Vhodne sa oblečte. Nepoužívajte voľné oblečenie či šperky. Vlasy, oblečenie a rukavice držte mimo dosahu zariadenia.** Voľné oblečenie, vlasy alebo šperky sa môžu zaseknúť v pohyblivých súčiastiach.
- g. **Ak sa zariadenie používa na spájanie, ubezpečte sa, že spoje sú naozaj bezpečné a náležite fungujú. Použitie tohto zariadenia môže znížiť riziko spojené s prachom.** Pri manipulácii používajte svorky. Je to oveľa bezpečnejšie než manipulovať so zariadením ručne.
- h. **Aj keď výrobok používate dlho a ste naň zvyknutý, nezanedbávajte zásady bezpečnosti.** Neopatrné používanie môže v zlomku sekundy spôsobiť vážne poranenie.

Použitie a starostlivosť o zariadenie

- a. **Zariadenie nepreťažujte. Na každú aplikáciu využívajte vhodné zariadenie.** Správne zariadenie odvedie dobrú a bezpečnejšiu prácu, na ktorú bolo určené.
- b. **Ak zariadenie nemá vypínač, nepoužívajte ho.** Akékoľvek zariadenie, ktoré sa nedá ovládať vypínačom, môže predstavovať nebezpečenstvo a je nutné ho opraviť.
- c. **Pred akýmkoľvek nastavením, pridávaním doplnkov alebo nahrdzovaním súčiastok, odpájajte zariadenie zo siete.** Preventívna bezpečnosť znižuje riziko vzniku nepredvídaných porúch zariadenia i nehôd.
- d. **Nečinné zariadenie umiestňujte mimo dosahu detí a osobám neoboznámeným s bezpečnostnými pokynmi nepovoľujte manipuláciu.** Zariadenie v rukách nevyškoleného užívateľa môže spôsobiť zranenia.
- e. **Zariadenie vhodne udržiavajte. Skontrolujte chýbajúce alebo uvoľnené súčasti, poškodenie súčiastok môže ovplyvniť prevádzku zariadenia.** Ak je zariadenie poškodené, pred použitím ho dajte opraviť. Mnoho nehôd je zapríčinených uvoľnenými súčiastkami.
- f. **Zariadenia na rezanie udržiavajte ostré a čisté.** Takto udržiavané zariadenia, s ostrými hranami, sa jednoduchšie ovládajú.
- g. **Zariadenie, doplnky a iné nástroje používajte v súlade s pokynmi a inštrukciami určenými na špecifické pracovné podmienky. Použitie zariadenia na neurčené aplikácie môže spôsobiť nebezpečné situácie.** Zapnuté zariadenie nenechávajte bez dozoru. Vždy ho vypnite a počkajte, kým sa nezastaví.
- h. **Úchytka a povrch, za ktoré chytáte predmet udržiavajte suché, čisté a odmastené.** Klzké úchytka a povrchy zabraňujú bezpečnej manipulácii a kontrole nad náradím v neočakávaných situáciách.

Použitie a starostlivosť o zariadenie na batérie

- a. **Dobíjajte vždy nabíjačkou, ktorú špecifikoval výrobca.** Nabíjačka, ktorá je určená len na jedno balenie batérii, môže spôsobiť riziko požiaru, ak sa použije na iný druh batérii.
- b. **Zariadenie používajte výhradne so špeciálne označeným balením.** Použitie akýchkoľvek batérii môže zapríčiniť zranenie prípadne požiar.
- c. **Ak sa zariadenie nepoužíva, udržiujte ho mimo dosahu iných kovových predmetov, ako sponiek na papier, mincí, kľúčov, klinčov, skrutiek alebo iných malých kovových predmetov, ktoré by prípadne mohli prísť do kontaktu.** Skrátene terminálov by mohlo zapríčiniť požiar alebo spálenie.
- d. **Za nevhodných podmienok môže batéria vylučovať tekutinu, vyhnite sa kontaktu s ňou. V prípade kontaktu rýchlo opláchnite vodou. Ak sa tekutina dostane do očí, vyhľadajte lekára.** Tekutina z batérie spôsobuje podráždenie alebo požiar.
- e. **Nepoužívajte akumulátor ani nástroj, ktorý je poškodený alebo upravovaný.** Poškodené alebo upravované akumulátory môžu vykazovať nepredvídateľné správanie, ktoré má za následok požiar, výbuch alebo riziko zranenia.
- f. **Akumulátor ani nástroj nevystavujte pôsobeniu plameňa alebo nadmerných teplôt.** Vystavenie pôsobeniu plameňa alebo teplotám nad 130 °C môže spôsobiť výbuch.
- g. **Postupujte podľa všetkých pokynov na nabíjanie a akumulátor ani nástroj nenabíjajte mimo teplotného rozsahu uvedeného v pokynoch.** Nesprávne nabíjanie alebo nabíjanie pri teplotách mimo určeného rozsahu môže poškodiť akumulátor a zvýšiť riziko požiaru.

Servis

- a. **Máte pre vaše elektrické zariadenie zabezpečený servis kvalifikovanej osoby, ktorá používa výhradne identické náhradné súčiastky?**
Len tak zabezpečíte správne zaobchádzanie so zariadením.
- b. **Nikdy nevykonávajte servis poškodeného akumulátora.** Servis akumulátorov by mal vykonávať len výrobca alebo autorizovaní poskytovatelia servisných služieb.

POKYNY K BEZPEČNOSTI

Bezpečnosť pri práci so skrutkovačom a vŕtačkou

Električno orodje držite za izolirane prijemnalne površine, kadar izvajate delo, pri katerem se lahko vijaki dotaknejo skrite napeljave. Ob stiku vijaka z žico pod napetostjo lahko izpostavljeni kovinski deli električnega orodja prevajajo električni tok in povzročijo električni udar upravljavca.

Použite vhodné detektory na rozpoznanie skrytých vád alebo zabezpečte náležitý servis. Pri kontakte s elektrickým napájaním by mohlo dôjsť k vzniku požiaru alebo elektrickému šoku. Poškodenie plynového potrubia by mohlo zapríčiniť explóziu. Narušenie vodovodného potrubia môže spôsobiť škody na majetku prípadne elektrický šok.

Električno orodje takoj izklopite, če se blokira ali zagodzi. Bodite pripravljeni na velik reakcijski navor, ki lahko povzroči povratni sunek. Orodje se blokira, če:

- je električno orodje je izpostavljeno preobremenitvi,
- če se zagozdi v obdelovancu.

Zariadenie držte pevne, vysoký krútiaci moment sa objavuje pri upevňovaní a uvoľňovaní skrutiek.

Zabezpečte obrobok. Upevnite ho do stojana alebo zveráka. Upevnenie je oveľa bezpečnejšie než keď ho držíte rukou.

Pracovisko vždy udržiajte v čistote. Zvyšky materiálu sú obzvlášť nebezpečné. Prach z prímiesí môže zapríčiniť požiar i explóziu.

Keď chcete zariadenie položiť, vždy počkajte až kým sa úplne nezastaví. Zariadenie by sa mohlo zaseknúť a spôsobiť stratu kontroly na celým prístrojom.

Vyhňte sa neúmyselnému zapnutiu zariadenia. Prenášanie zariadenia s prstom na vypínači alebo vkladanie batérií do zapnutého zariadenia môže zapríčiniť nehodu.

Bezpečnostné pokyny pri nabíjaní batérie



Len na vnútorné použitie.

Adaptér batérie udržiajte mimo prístupu dažďa a vlhkosti. Nasiaknutie batérie vodou by mohlo zapríčiniť nebezpečenstvo elektrického šoku.

Nenabíjajte iné batérie. Adaptér je vhodný na dobíjanie batérií, ktoré boli dodané s vašim zariadením. V ostatných prípadoch by mohlo hroziť pri nabíjaní riziko požiaru alebo explózie.

Udržiajte adaptér batérie čistý. Kontaminácia môže zapríčiniť elektrický šok.

Pred každým použitím skontrolujte adaptér batérie, kábel a zásuvku. Pri zistení akéhokoľvek poškodenia adaptér nepoužívajte. Adaptér nikdy sami neotvárajte. Oprava je nutná len kvalifikovaným odborníkom. Poškodené adaptéry, káble alebo zástrčky zvyšujú nebezpečenstvo elektrického šoku.

S adaptérom nemanipulujte na horľavých povrchoch (napr.-papier, textilie, atď.) alebo v ich blízkosti. Zahrievanie batérie počas procesu nabíjania by mohlo zapríčiniť požiar.

Deti usmernite tak, aby samé nemanipulovali s adaptérom.

INFORMACIJE O TRESLJAJIH IN HRUPU

Tresljaji in raven hrupa

Raven tresljajev in emisij hrupa, navedena v teh navodilih za uporabo, je bila izmerjena v skladu s standardiziranim preskusom po standardu EN 62841. Uporablja se lahko za primerjavo enega orodja z drugim ter za predhodno oceno izpostavljenosti tresljajem in hrupu pri uporabi orodja za namene, navedene v tem priročniku. Vendar pa lahko uporaba orodja za drugačne namene oziroma z drugačnim ali slabo vzdrževanim priborom znatno poveča stopnjo izpostavljenosti.

Pri oceni ravni izpostavljenosti tresljajem in hrupu je treba upoštevati tudi čas, ko je orodje izklopljeno ali ko vklopljeno, vendar se ne uporablja, saj lahko to znatno zmanjša raven izpostavljenosti v celotnem delovnem obdobju. Zaščitite se pred učinki vibracij in hrupa tako, da vzdržujete orodje in njegovo dodatno opremo, poskrbite, da vas ne bo zeblo v dlani in ustrezno organizirate svoje delo.

Druga tveganja

Tudi če se električno orodje uporablja v skladu z navodili, ni mogoče odpraviti vseh drugih dejavnikov tveganja. Zaradi konstrukcije in zasnove električnega orodja se lahko pojavijo naslednje nevarnosti:



poškodbe pljuč, če ne nosite učinkovite protiprašne maske,



poškodbe sluha, če ne uporabljate učinkovita zaščite sluha,



telesne poškodbe zaradi vibracij, če električno orodje uporabljate dlje časa neprekinjeno ali če z njim ne ravnate in ga vzdržujete po navodilih.



OPOZORILO! To električno orodje med delovanjem ustvarja elektromagnetno polje. V nekaterih okoliščinah lahko to polje moti aktivne ali pasivne medicinske vsadke. Za zmanjšanje tveganja hudih ali smrtnih poškodb osebam z medicinskimi vsadki priporočamo, da se pred uporabo tega stroja posvetujejo s svojim zdravnikom in proizvajalcem medicinskega vsadka.

MONTÁŽ

Pred akoukoľvek manipuláciou so zariadením (napr. montáž, výmena atď.) ako aj počas prepravy a skladovania umiestnite rotačnú kontrolku do centrálnej pozície. Mimovoľné spustenie spínača môže viesť k zraneniam.

Nabíjanie skrutkovača

Najprej preberite varnostna navodila, nato pa sledite navodilom za polnjenje.

Priključek kabla USB-C priključite v vrata USB-C (sl. 2) (A) vijačnika. Nato priključite drugi koniec kabla USB v polnilnik USB ali vtičnico USB, z ustreznim napajanjem za polnjenje vijačnika. Razvijte kabel, tako da ne bo zavozlan ali prepognjen.

Ko vijačnik priključite v električno napajanje s kablom USB-C, tri diode na vijačniku (sl. 2) (B) zasvetijo, kar označuje stanje polnjenja:

- lučke utripajo: polnjenje poteka,
- lučke neprekinjeno svetijo: polnjenje je končano.

Če je baterija vijačnika popolnoma napolnjena in vijačnik ostane

priklop na napajanje, bodo svetleče diode še na prejšnjem svetle. Če vijačnik uporabljate v normalnih pogojih, ga lahko napolnite več stokrat.

UPOZORNENIE! Proces nabíjania batérie zahrieva. Neodporúča sa nabíjať batérie pri teplote nižších ako je bod mrazu. Batéria postupne stráca energiu, aj keď sa náradie nepoužíva.

DÔLEŽITÉ! Batéria dodávaná so skrutkovačom bola nabitá len na testovacie účely a pred prvým použitím sa musí úplne nabiť.

Lítium-iónová batéria je chránená pred hlbokým vybitím Elektronickou ochranou článkov (ECP). Keď je batéria úplne vybitá, zariadenie sa prepne do bezpečnostného režimu: Zariadenie už ďalej nerotuje.



POZOR: Nestláčajte ďalej tlačidlo On/Off po tom, ako sa prístroj automaticky vypne. Batéria by sa mohla poškodiť.



Čistenie Batérie nabíjajte na nehorľavom povrchu. Nenabíjajte ju dlhšie ako osem hodín.

NÁVOD NA POUŽITIE

Prevádzka

Tento bezdrôtový skrutkovač je vhodný na všetky typy vrtákov, ktoré majú šesťuholníkový driek, 6.35mm (1/4").

Vkladanie vrtákov (Obr. 3)

Vyberte vhodný vrták na použitie skrutky. Vložte vrták do skrutkovača a uistite sa, že v ňom bezpečne drží.

Pozn.: Je vhodné vždy vopred predvrtat' skúšobnú dieru pred zavedením skrutky do výrobku.

Vklop in izklop

Za vijačenje pritisnite stikalo za vklop/izklop (3). Ko sprostite stikalo za vklop/izklop, se vijačnik ustavi. Če želite spremeniti smeri vrtenja, da bi odvilni vijak, pritisnite stikalo za spremembo smeri vrtenja (7).

Automatski uzamykatelny hriadel'

Hriadel' zariadenia sa automaticky uzamkne, keď sa zariadenie zastavi. Preto sa dá zariadenie použiť aj ako manuálny nástroj.

Magnetický držiak bitov

Bity, ktoré práve používate, môžete umiestniť na magnetický držiak bitov (5) na vrchnej strane skrutkovača, aby ste ich mali pri práci stále po ruke.

LED pracovné svetlo

Skrutkovač má zabudované LED pracovné svetlo na osvetlenie pracovného priestoru. Pracovné LED svetlo sa rozsvieti pri každom stlačení spúšte a po uvoľnení spúšte sa vypne.

Údržba a čistenie

Udržujte skrutkovač vždy čistý a suchý, aby ste zaistili správnu a bezpečnú prevádzku. Všetky nečistoty utrite mäkkou handričkou navlhčenou vo vode. Nepoužívajte žiadne čistiace prostriedky ani rozpúšťadlá.

Aby bolo použitie bezpečné a správne, udržiavajte prístroj a vetracie otvory vždy čisté.

Výrobok je určený na domáce použitie, nie na komerčné alebo kvalifikované merania vykonávané odborníkmi.

Tento návod si ponechajte pre prípad budúcej potreby.

Výrobca: IKEA of Sweden AB

Adresa: Box 702, SE-343 81 Älmhult, ŠVÉDSKO



Batérie a akumulátory nie sú domovým odpadom! Spotrebiteľ je zo zákona povinný zlikvidovať všetky batérie a akumulátory bez ohľadu na to, či obsahujú škodlivé látky* alebo nie, a to na príslušnom zbernom mieste prostredníctvom komerčného subjektu, ktorý ponúka službu likvidácie batérií, aby ich bolo možné likvidovať environmentálne vhodným spôsobom.

* označené: Cd = kadmium, Hg = ortuť, Pb = olovo



Symbol preškrtnutého kontajnera označuje, že tento výrobok musí byť zlikvidovaný oddelene od bežného domáceho odpadu. Výrobok by mal byť odovzdaný na recykláciu v súlade s miestnymi predpismi pre nakladanie s odpadom. Oddelením označeného výrobku z komunálneho odpadu, pomôžete znížiť objem odpadu posielaného do spaľovní alebo na skládku a minimalizovať prípadný negatívny dopad na ľudské zdravie a životné prostredie. Pre viac informácií, prosím, kontaktujte obchodný dom IKEA.

Українська

TRIXIG ТРИКСІГ бездротовий шурупокрут 3.6 В

ТЕХНІЧНІ ХАРАКТЕРИСТИКИ

Модель: TRIXIG ТРИКСІГ

Тип: P2201

Напруга: 3.6 Vdc

Тип батарейки: 1.5 Ah/ 5.4Wh год літій-іонна

Час заряджання: <300 хв

Макс. крутний момент: при бл. 5 Нм

Макс. частота обертів (холостий хід): 200/min

Тримач насадок: 6.35 mm (1/4")

Вібрація (згідно з EN 62841-1, EN 62841-2-2):

Свердління без удару: $a_n = 0.34 \text{ м/с}^2$, $K = 1.5 \text{ м/с}^2$.

Рівень шуму (згідно з EN 62841-1):

Рівень звукового тиску $L_{pA} = 59 \text{ дБ (А)}$, $K_{pA} = 3 \text{ дБ (А)}$

Рівень потужності звуку $L_{wA} = 70 \text{ дБ (А)}$, $K_{wA} = 3 \text{ дБ (А)}$

ЛИШЕ ДЛЯ ВИКОРИСТАННЯ В ПРИМІЩЕННІ.

Рекомендовані показники заряджання:

5.0В постійного струму / 1.0-3.0А (тип С), температура заряджання 0-50°C

Характеристики виробу

Нумерація показаних функцій продукту відноситься до ілюстрації № 1 на графічній сторінці.

1. Основний корпус шурупокруту
2. Тримач насадок шурупокруту
3. Перемикач увімкнення/вимкнення
4. Роз'єм для заряджання USB-C
5. Магнітний тримач насадок
6. Світлодіодний індикатор роботи
7. Перемикач напрямку обертання
8. Світлодіодний індикатор заряду

ПРИМІТКА!

Кабель USB-C і зарядний пристрій з портом USB не постачаються з даним інструментом.

ДЕ ВИКОРИСТОВУВАТИ

Шурупокрут призначається для закручування та відкручування шурупів. Інструмент слід використовувати тільки за призначенням. Будь-яке інше використання вважається випадком неправильного використання.

ЗАГАЛЬНІ ІНСТРУКЦІЇ З ТЕХНІКИ БЕЗПЕКИ

Загальні інструкції з безпеки для електроприладів



УВАГА! Ознайомтесь з усіма попередженнями щодо техніки безпеки, інструкціями, ілюстраціями та технічними характеристиками, що надаються з цим електроінструментом. Невиконання всіх наведених нижче інструкцій може призвести до ураження електричним струмом, пожежі та/або серйозних травм.

Збережіть усі попередження та інструкції для подальшого використання

Термін «електроінструмент» у попередженнях стосується вашого електроінструменту, що працює від мережі (з використанням шнура), або електроінструменту, що працює від акумулятора (без використання шнура).

Безпека робочого місця

- a. **Тримайте робоче місце в чистоті та добре освітленим.** У захаращених та неосвітлених місцях підвищується ризик нещасних випадків.
- b. **Не працюйте з електроінструментами поблизу вибухонебезпечних середовищ, таких як займисті рідини, гази чи пил.** Електроінструменти створюють іскри, які можуть підпалити хмару випарів.
- c. **Тримайте дітей і сторонніх спостерігачів на відстані під час роботи з електроінструментом.** Усе, що вас відволікає, може призвести до втрати контролю.

Безпеки при роботі з електроприладами

- a. **Вилка електроінструмента повинна відповідати мережній розетці. Не модифікуйте вилку жодним чином. Не використовуйте штепсель-перехідник із заземленими електроінструментами.** Немодифіковані вилки та відповідні розетки знижують ризик ураження струмом.
- b. **Уникайте контакту тіла із заземленими поверхнями, такими як труби, радіатори, кухонні плити та холодильники.** Якщо ваше тіло заземлене, ризик ураження струмом зростає.
- c. **Не залишайте електроінструменти під дощем або в умовах високої вологості.** У разі потрапляння води в електроінструмент зростає ризик ураження струмом.
- d. **Використовуйте кабель лише належним чином. Не тягніть за шнур, щоб перенести, перетягнути електроінструмент чи вимкнути його із розетки. Оберегайте шнур від нагрівання, потрапляння масла, пошкодження через гострі краї та рухомі з'єднання.** Пошкоджені або заплутані шнури підвищують ризик ураження струмом.
- e. **Працюючи з електроінструментом надворі, використовуйте подовжувач, що підходить для роботи поза приміщенням.** Використання шнура, що підходить для роботи поза приміщенням, зменшує ризик ураження струмом.

- f. **Якщо робота в умовах високої вологості неминуча, використовуйте пристрій захисного відключення (ПЗВ).** Використання ПЗВ знижує ризик ураження струмом.

Особиста безпека

- a. **Під час роботи з електроінструментом будьте уважними, обережними й керуйтеся здоровим глуздом. Не використовуйте електроінструмент, якщо ви втомлені або в стані наркотичної, алкогольної чи медикаментозної інтоксикації.** Навіть миттєва неуважність під час роботи з електроінструментом може закінчитися тяжкою травмою.
- b. **Використовуйте особисті засоби захисту.** Завжди вдягайте захисні окуляри. Використання засобів захисту, таких як респіратор, неслизьке спецвзуття, каска або навушники, за відповідних умов знижує ризик травм.
- c. **Щоб запобігти ненавмисному вмиканню: Перш ніж вмикати інструмент у мережу та/або вставляти батарею, а також коли берете або переносите інструмент, переконайтеся, що перемикач встановлено у положенні «вимкнено».** Ризик нещасного випадку підвищується, якщо переносити електроінструмент, утримуючи палець на перемикачі, або вмикати інструмент у мережу із натиснутим перемикачем.
- d. **Вийміть натяжний клин або ключ, перш ніж вмикати електроінструмент.** Якщо залишити ключ або клин в обертальній частині електроінструмента, це може призвести до травми.
- e. **Не нахилийтеся надміру вперед. Сійте міцно на ногах та зберігайте рівновагу.** Це дозволяє краще контролювати електроінструмент у непередбачених випадках.
- f. **Одягайтеся належним чином. Не вдягайте вільний одяг та прикраси. Не наближайте волосся, одяг і рукавиці до рухомих частин.** Рухомі частини можуть зачепити вільний одяг, прикраси та довге волосся.
- g. **Якщо в наявності є пристрої для під'єднання пиловловлювачів та збірних резервуарів, під'єднуйте та використовуйте їх належним чином.** Такі пристрої допомагають знизити рівень небезпеки, пов'язаної з присутністю пилу.
- h. **Завжди дотримуйтесь принципів безпечної роботи з інструментами, навіть, коли ви часто користуєтесь інструментами та звикли до них.** Необачність може призвести до травмування.

Використання та догляд за електроприладами

- a. **Не перевантажуйте електроінструмент.** Використовуйте електроінструмент за призначенням. За умов використання за призначенням та за належного навантаження електроінструмент працює краще й безпечніше.
- b. **Не використовуйте електроінструмент із неробочим перемикачем.** Електроінструмент, що не контролюється перемикачем, небезпечний у використанні та потребує ремонту.
- c. **Відключіть вилку з мережі і/або витягніть батарею, перш ніж регулювати електроінструмент, замінювати приладдя, а також перед зберіганням.** Такі запобіжні заходи безпеки знижують ризик випадкового вмикання електроінструмента.
- d. **Зберігайте електроінструмент, що не використовується, в недоступному для дітей місці і не дозволяйте користуватися ним особам, що не ознайомилися з інструментом чи цією інструкцією.** Електроінструменти становлять небезпеку в невідомих руках.

- e. **Доглядайте за електроінструментами. Перевіряйте правильність та міцність прилаштування рухомих частин, цілісність частин, а також відсутність інших факторів, що можуть вплинути на роботу електроінструмента.** Завжди ремонтуйте зламаний електроінструмент перед використанням. Значна кількість нещасних випадків стається через погане обслуговування електроінструментів.
- f. **Гостріть та очищайте ріжуче приладдя.** Належно доглянуте та гостре ріжуче приладдя рідше застрягає і з ним легше працювати.
- g. **Використовуйте електроінструмент, приладдя, насадки тощо відповідно до цієї інструкції та в спосіб, що відповідає конкретному типу електроінструмента, з урахуванням умов та характеру роботи, що виконується.** Використання електроінструмента не за призначенням може створити небезпечну ситуацію.
- h. **Слідкуйте за тим, щоб ручки та інша поверхня виробу залишалася сухою, чистою та не була забруднена маслом або ж олією.** Слизька ручка інструмента може стати причиною його неправильного використання.

Використання та догляд за батареєю

- a. **Заряджайте лише за допомогою зарядного пристрою, зазначеного виробником.** Зарядний пристрій, що підходить для одного типу батареї, може спричинити пожежу в разі використання з іншим типом батарей.
- b. **Використовуйте електроінструменти лише з призначеними для них комплектами батарей.** Використання інших комплектів батарей може спричинити травми та ризик пожежі.
- c. **Коли комплект батарей не використовується, тримайте його подалі від таких металевих предметів, як скріпки, монети, ключі, цвяхи, гвинти тощо, які можуть спричинити коротке замикання між клемми батарей.** Коротке замикання між клемми батарейок може спричинити опіки або пожежу.
- d. **Уникайте контакту з рідиною, яка може витекти з батареї в разі грубого поводження. У разі випадкового контакту промийте уражене місце водою. Якщо рідина потрапила в очі, зверніться по медичну допомогу.** Рідина, що витекла з батареї, може спричинити подразнення та опіки.
- e. **Не використовуйте акумулятор або інструмент, який пошкоджено або модифіковано.** Пошкоджені або модифіковані акумулятори можуть діяти непередбачувано, спричинивши пожежу, вибух або ризик травмування.
- f. **Не піддавайте акумулятор або інструмент впливу вогню або надмірної температури.** Вплив вогню або температура вище 130 °C може спричинити вибух.
- g. **Дотримуйтесь усіх інструкцій щодо заряджання та не заряджайте акумулятор або інструмент поза температурним діапазоном, зазначеним в інструкціях.** Заряджання неналежним чином або при температурі за межами зазначеного діапазону може пошкодити акумулятор і збільшити ризик пожежі.

Послуги

- a. **Технічне обслуговування електроінструмента має проводити лише кваліфікований фахівець із використанням оригінальних запчастин.** Це забезпечить утримання електричного інструмента в безпечному стані.
- b. **Ніколи не обслуговуйте пошкоджені акумулятори.** Обслуговування акумуляторів має виконуватися лише виробником або уповноваженими постачальниками послуг.

СПЕЦІАЛЬНІ ІНСТРУКЦІЇ З ТЕХНІКИ БЕЗПЕКИ

Попередження з безпеки для сверла та викрутки

Утримуйте електроінструмент за ізольовані поверхні для тримання при виконанні операції, за якої фіксатор може потрапити в контакт з прихованою проводкою. Фіксатори, що контактують з дротом під напругою, можуть зробити відкриті металеві частини електроінструменту струмопровідними та завдати оператору удару електричним струмом

Використовуйте відповідні прилади для детектування ліній живлення в робочій зоні або зверніться до місцевого комунального підприємства по допомогу. Контакт із лініями електромережі може призвести до пожежі та ураження струмом. Пошкодження газової труби може призвести до вибуху. Свердління водопровідної труби завдає матеріальної шкоди та може спричинити ураження струмом.

Вимикайте електроінструмент відразу, коли інструмент заблокується або застрягне. Будьте готові до високої реакції крутного моменту, який може викликати віддачу. Засіб блокується, якщо:

- електроінструмент піддається перевантаженню
- або він застряг в заготовці.

Міцно тримайте прилад у руках. Сильний крутний момент може трапитися під час вкручування та викручування шурупів.

Закріпіть деталь. Деталь буде надійніше закріплена в лещатах чи струбцинах, ніж якщо тримати її рукою.

Тримайте робоче місце в чистоті. Суміш робочих матеріалів особливо небезпечна. Пил із легких сплавів може загорітися або вибухнути.

Не кладіть прилад раніше, ніж він повністю зупинить роботу. Насадка може заклінитися і призвести до втрати контролю над електроінструментом.

Уникайте ненавмисного вмикання інструмента. Перш ніж вставляти батарею, переконайтеся, що курковий вимикач встановлено в положенні «вимкнено». Ризик нещасного випадку підвищується, якщо переносити електроінструмент, утримуючи палець на курковому вимикачі, або вставляти батарею у прилад із натиснутим курковим вимикачем.

Попередження з безпеки для зарядн пристроїв



Для використання лише в приміщенні.

Тримайте зарядний пристрій батареї подалі від дощу та вологи. Проникнення води в зарядний пристрій батареї підвищує ризик ураження струмом.

Не використовуйте для заряджання інших батарей. Зарядний пристрій батареї підходить лише для заряджання батарей, що постачаються в комплекті з електроінструментом. В іншому разі існує небезпека пожежі та вибуху.

Тримайте зарядний пристрій батареї в чистоті. Забруднення можуть створити небезпеку ураження струмом.

Перед кожним використанням огляньте зарядний пристрій батареї, кабель і вилку. Не використовуйте пошкоджений зарядний пристрій батареї. Не відкривайте самостійно зарядний пристрій батареї. Щоб відремонтувати пристрій, зверніться до кваліфікованого майстра. Пошкоджені зарядні пристрої батареї, кабелі та вилки підвищують ризик ураження струмом.

Не вмикайте зарядний пристрій батареї на легкозаймистих поверхнях (наприклад, на папері, тканинах тощо) або в легкозаймистому середовищі. Нагрівання зарядного пристрою батареї протягом заряджання може стати причиною пожежі.

Необхідно наглядати за дітьми, щоб вони не гралися з зарядним пристроєм батареї.

ІНФОРМАЦІЯ ПРО ВІБРАЦІЇ ТА ШУМИ

Вібрація та рівень шуму

Рівень вібрації та шумовипромінювання, зазначений у цьому посібнику з експлуатації, був вимірний відповідно до стандартизованого тесту в EN 62841. Він може використовуватися для порівняння одного інструменту з іншим і в якості попередньої оцінки впливу вібрації та шуму при використанні інструменту для способів застосування, згаданих в цьому посібнику. Однак, використання інструменту для інших способів застосування або з іншими чи погано обслуженими аксесуарами, може значно підвищити рівень такого впливу.

При оцінюванні рівня впливу вібрації та шуму слід також враховувати моменти, коли інструмент вимкнений або коли він працює, але не використовується, так як це може значно знизити рівень впливу протягом загального робочого періоду. Захистіть себе від впливу вібрації та шуму, обслуговуючи інструмент та його аксесуари, зберігаючи руки в теплі та організовуючи свою роботу.

інші ризики

Навіть коли електроінструмент використовується за призначенням, усунути всі інші фактори ризику не видається можливим. У зв'язку з конструкцією і дизайном електроінструменту можуть виникнути наступні небезпеки:



Пошкодження легень, якщо не вдягнуто ефективну маску для захисту від пилу.



Пошкодження слуху, якщо не вдягнуто ефективний засіб захисту слуху.



Шкода для здоров'я в результаті вібрацій, якщо електроінструмент використовується протягом більш тривалого періоду часу або не обробляється і не обслуговується належним чином.



УВАГА! Цей електроінструмент виробляє електромагнітне поле в процесі роботи. За деяких обставин це поле може перешкоджати активним або пасивним медичним імплантатам. Щоб зменшити ризик серйозних або смертельних травм, ми рекомендуємо особам з медичними імплантатами перед експлуатацією цього інструменту проконсультуватися зі своїм лікарем та виробником медичних імплантатів.

СКЛАДАННЯ

Перед початком роботи з приладом (наприклад, обслуговування, заміна насадки тощо), а також під час перевезення та зберігання встановіть перемикач напрямку обертання в середнє положення. Випадкове натискання куркового перемикача може призвести до травм.

Заряджання шурупокрута

Спочатку прочитайте інструкції з техніки безпеки, а потім дотримуйтесь інструкцій щодо заряджання.

Підключіть кінець кабелю USB-C до порту USB-C (Рис. 2) (A) в шурупокруті. Потім підключіть інший кінець USB-кабелю до зарядного пристрою з портом USB або USB-розетки, які можуть забезпечити достатнє живлення для заряджання шурупокруту. Слідкуйте за тим, щоб в кабелі не було вузлів або різких вигинів.

При підключенні шурупокруту до електромережі за допомогою кабелю USB-C три діоди на шурупокруті (Рис. 2) (B) засвітяться для позначення стану заряджання:

- Пульсуюче світло - триває заряджання
- Постійне світло - заряджання завершено

Після того, як батарею шурупокруту буде повністю заряджено, а шурупокрут залишиться

підключеним до електроживлення, діоди продовжуватимуть світитись. За звичайних умов використання шурупокрут може заряджатися кілька сотень разів.

УВАГА! Під час заряджання батарейка нагрівається. Не рекомендується заряджати акумуляторну батарейку за температури нижче нуля градусів. Із часом батарейка поступово розряджається, навіть якщо інструмент не використовується.

ЗВЕРНІТЬ УВАГУ! Батарейка шурупокрута заряджалася лише під час випробувань, тому перед першим використанням її слід повністю зарядити.

"Система захисту елементів живлення (ЕСР)" запобігає розрядженню літій-іонної батареї. Коли батарея розряджена, прилад вимикається за допомогою захисної схеми: вставлений інструмент більше не обертається.



ЗАСТЕРЕЖЕННЯ: Не продовжуйте натискати перемикач, якщо прилад автоматично вимкнувся. Батарея може пошкодитися.



ЗАСТЕРЕЖЕННЯ: Заряджайте батарею на вогнестійкій поверхні. Не заряджайте батарею довше 8 годин.

ІНСТРУКЦІЇ З ВИКОРИСТАННЯ

Цей акумуляторний шурупокрут у базовій комплектації може використовуватися з наконечниками різних типів і довжини з шестигранним хвостовиком діам. 6.35 мм.

Наконечник для шурупів - встановлення (мал.3)

Виберіть правильний наконечник для шурупів, що використовуються. Установіть наконечник для шурупів у тримач шурупокрута, штовхаючи його на місце до упору.

Примітка. Перед вкручуванням шурупів цим шурупокрутом рекомендується завжди свердлити напрямні отвори.

Увімкнення та вимкнення

Для запуску шурупокрута натисніть на перемикач увімкнення/вимкнення (3). Відпускання перемикача увімкнення/вимкнення зупинить шурупокрут. Для виймання викруткової насадки та зміни напрямку обертання натисніть на перемикач напрямку обертання (7).

Автоматичне блокування шпинделя

Коли шурупокрут вимикається, його шпиндель автоматично блокується. Це дає змогу використовувати його як ручний інструмент.

Магнітний тримач насадок

Насадки, які ви використовуєте, можна розмістити на шурупокруті за допомогою магнітного тримача (5), щоб вони завжди були під рукою під час роботи.

LED робоче освітлення

Шурупокрут має вбудоване світлодіодне робоче освітлення. Світлодіодне освітлення вмикається щоразу під час натискання куркового перемикача та вимикається після того, як відпустити перемикач.

Обслуговування та догляд

Щоб шурупокрут працював правильно та був безпечним, тримайте його чистим і сухим. Для очищення використовуйте м'яку тканину, змочену водою. Не використовуйте мийні засоби або розчинники.

Для безпечної та правильної роботи слідкуйте за чистотою приладу та його вентиляційних отворів.

Цей виріб призначений лише для побутового використання вдома, а не для комерційних чи професійних вимірювань спеціалістами.

Зберігайте цей посібник для використання в майбутньому.

Виробник: IKEA of Sweden AB

Адреса: Box 702, SE-343 81 Älmhult, SWEDEN (Швеція)



Для збереження природних ресурсів, будь ласка, переробляйте або утилізуйте акумуляторну батарею належним чином. Цей акумулятор містить літій-іонні батареї. Зверніться до місцевого органу управління відходами для отримання інформації щодо доступних варіантів переробки та/або утилізації. Розрядіть акумуляторну батарею, працюючи дрилем. Потім вийміть акумулятор з корпусу дрилу та покрийте з'єднання акумулятора надміцною клейкою стрічкою, щоб запобігти будь-якому короткому замиканню та розряду електроенергії. Не намагайтеся відкрити або видалити будь-який із компонентів.

Цей пристрій відповідає стандарту UL STD. 2054



Малюнок із закресленим контейнером для сміття на колесах означає, що виріб необхідно викидати окремо від побутових відходів. Виріб необхідно здати на переробку відповідно до місцевих положень щодо утилізації відходів. Відокремлюючи позначений виріб від побутових відходів, ви допоможете зменшити об'єм відходів, які відправляються на сміттєспалювальні станції або звалища та допоможете зменшити потенційний негативний вплив на здоров'я людини та навколишнє середовище. За детальною інформацією зверніться до магазину IKEA.

