

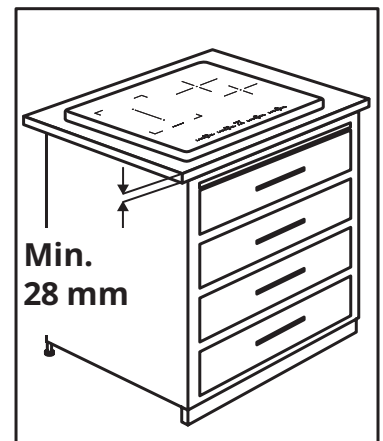
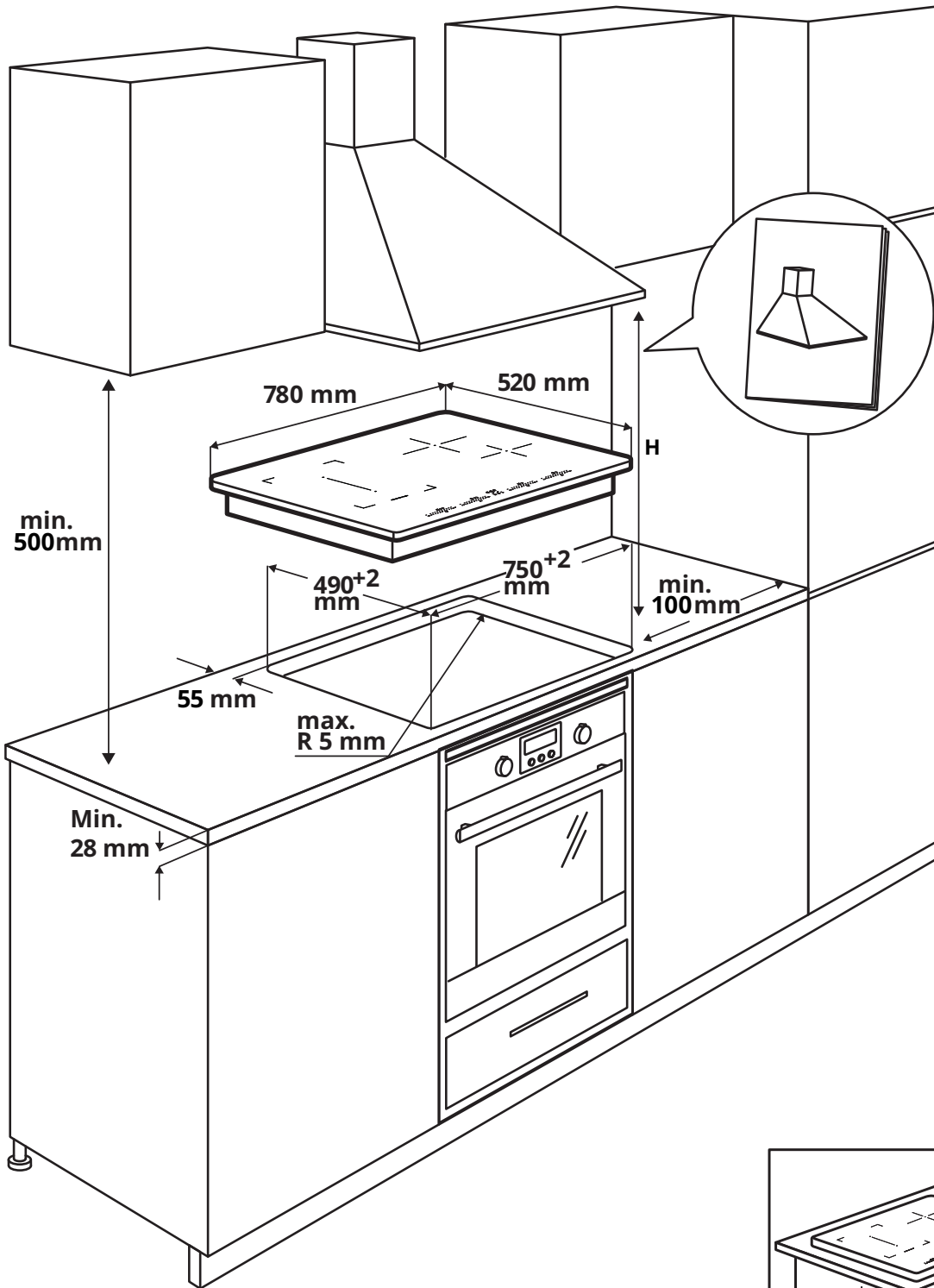
ROGESTAD

en
de
fr
it
da
no
fi
sv
is
pt
es
el
nl
pl
tr
sk
lt
uk
cs
hu
bg
ro
hr
sl
sr
lv
et




Design and Quality
IKEA of Sweden


ENGLISH	5
DEUTSCH	11
FRANÇAIS	17
ITALIANO	23
DANSK	29
NORSK	35
SUOMI	41
SVENSKA	47
ÍSLENSKA	53
PORTUGUÊS	59
ESPAÑOL	65
ΕΛΛΗΝΙΚΑ	71
DUTCH	77
POLSKI	83
TÜRKÇE	89
SLOVENSKÝ	95
LIETUVIŲ K.	101
УКРАЇНСЬКА	107
ČESKY	113
MAGYAR	119
БЪЛГАРСКИ	125
ROMÂNĂ	131
HRVATSKI	137
SLOVENSKO	143
СРПСКИ	149
LATVIEŠU	155
EESTI	161



Safety information

 For your own safety and to ensure proper operation of the appliance, please read this manual carefully before installation and operation. Keep these instructions together with the appliance, even if it is sold or transferred to third parties. It is important that users know all the appliance's operating and safety characteristics.

These hobs have induction systems that comply with the requirements of EMC standards and with the EMF directive, and they should not interfere with other electronic devices. Pacemaker wearers and those using other electronic implants must consult their doctor or the manufacturer of the implanted device to assess whether or not it is sufficiently resistant against interference.


 Electrical connections must be performed by a trained technician. Before making the electrical connection, please read the section on ELECTRICAL CONNECTION.

For appliances with a power supply cable, the terminals or section of wire between the cable anchor point and the terminals must be arranged in such a way as to allow the live wires to be pulled out before the earth wire in the event of the cable coming out of its anchor.


- The manufacturer will not be liable for any damage resulting from incorrect or inadequate installation.
- Check that the mains power supply corresponds to the one indicated on the rating plate fixed to the inside of the product.
- The cut-out devices must be installed in the fixed system according to wiring system regulations.
- For class I appliances, check that the

domestic power supply guarantees an adequate earthing system.


- Connect the product to the mains using an omnipolar switch.
- If the power cable is damaged, it must be replaced by the manufacturer, by an authorised service centre or by a qualified technician, to avoid any risk of danger.

 **WARNING:** Remove the protective films before installing the appliance.

- Only use the screws and other hardware elements supplied with the appliance.

 **WARNING:** Failure to install the screws or fixing devices as described in these instructions may mean there is a risk of electric shocks.

- Cleaning and maintenance must not be carried out by children, unless they are under the supervision of an adult.
- Children must be supervised to ensure that they do not play with the appliance.
- This appliance must not be used by persons (including children) with limited physical, sensory or mental abilities, or by inexperienced or untrained persons, unless carefully supervised and instructed in safe use of the appliance by a person responsible for their safety.
- This appliance may be used by children over the age of 8 years and by persons with limited physical, sensory or mental abilities or with insufficient experience and knowledge, provided they are carefully supervised and instructed on safe use of the appliance and on the dangers that it involves. Do not allow children to play with the appliance.

 **WARNING:** The appliance and its accessible parts become extremely hot during use.

Take great care not to touch the heating elements.

Keep children under 8 years of age well away from the appliance, unless they are under constant supervision.

WARNING: If the surface shows any signs of cracking, turn the appliance off to prevent any risk of electric shock.

- Do not turn the device on if the surface is cracked or any damage is visible in the thickness of the material.
- Do not touch the appliance if your hands or body are wet.
- Do not use steam appliances to clean the product.
- Do not rest metal objects such as knives, forks, spoons and pan lids on the surface of the hob, as they might overheat.
- Use the relevant control to turn the Hob off after use, do not rely on the pan sensors.

WARNING: Unsupervised cooking on a hob using oil and grease may be dangerous and may cause a fire. NEVER attempt to put flames out with water; on the contrary, turn the appliance off and suffocate the flames, for example covering them with a pan lid or a fire blanket.

CAUTION: The cooking process must be supervised. A short cooking process must be constantly supervised.

- The appliance is not designed to be started using an external timer or a separate remote controlled system.

WARNING: Danger of fire: do not rest objects on the cooking surfaces.

- The appliance must be installed in such a way as to allow disconnection from the electrical power supply with a contact aperture (3 mm) that ensures complete disconnection in category III overload conditions.
- The appliance must never be exposed to weather (rain, sun).

- Keep the packing material away from children and animals.
- Make sure the device is connected directly to the power outlet.
- Do not use adapters, multiple sockets or extension cables to connect the device.
- Never use the appliance for purposes other than those for which it has been designed.
- Deep-fryers must be kept under constant supervision when in use: the oil may catch fire if it gets too hot.
- Do not operate the appliance using an external timer or separate remote controlled system.
- The appliance must never be installed behind a decorative door, to prevent it from overheating.
- Do not stand on the appliance, as this may damage it.
- Do not rest hot pots and pans on the edge, as this may damage the silicone seals.

Installation

Installation process must follow the laws, ordinances, directives and standards (electrical safety rules and regulations, proper recycling in accordance with the regulations, etc.) in force in the country of use!

- For further information on the installation refer to the Assembly Instruction.
- Do not use silicon sealant between the appliance and the worktop.
- Make sure that the space underneath the hob is sufficient for air circulation. Please refer to the Assembly Instruction.
- The bottom of the appliance can get hot. If the appliance is installed above the drawers, make sure to install a non-combustible separation panel under the appliance to prevent access to the bottom. Please refer to the Assembly Instruction.
- Ventilation of the appliance must comply with the manufacturer's instructions.
- Create a front opening of at least 28 cm² in the unit into which the hob is to be fitted, to allow aeration of the product.

Requirements for kitchen units

- If the appliance is mounted on flammable materials, the guidelines and regulations relating to low voltage installations and fire prevention must be followed strictly.
- For the fitted units, the components (plastic materials and veneered wood) must be mounted with heat-resistant adhesives (min. 85° C): the use of unsuitable material and adhesives may result in warping and detachment.
- The use of decorative hardwood borders around the worktop behind the appliance is allowed, provided the minimum distance always complies with the indications provided in the installation drawings.
- If there is no oven beneath the hob, install a separation panel under the appliance according to the Assembly Instruction.

Environmental aspects

Information on disposal

Your obligations as an end-user



This electrical or electronic equipment is marked with a crossed-out wheeled bin. The equipment may therefore only be collected and returned separately from unsorted municipal waste, i.e. it must not be disposed of with household waste. The equipment can be returned, for example, to a municipal collection point or, if applicable, to a distributor (see below for their take-back obligations in Germany). This also applies to all components, sub-assemblies and consumables of the old equipment to be disposed of.

Before the old equipment may be disposed of all old batteries and old accumulators that are not enclosed by the old equipment must be separated from the old equipment. The same applies to lamps that can be removed from the old equipment without destroying them. The end-user is also responsible for deleting personal data from the old equipment.

Notes on recycling



Help recycle all materials marked with this symbol. Do not dispose of such materials, especially packaging, in the household waste but via the relevant containers provided or the appropriate local collection systems.

Help to protect the environment and human health by recycling including waste of electrical and electronic appliances.

The following additional information applies in Germany

Take-back obligations of distributors

Anyone who sells electrical and electronic equipment on a sales floor area of at least 400 m² or otherwise supplies it to end users on a commercial basis is obliged, when supplying a new equipment, to take back at the place of supply or in the immediate vicinity thereof free of charge an old equipment belonging to the end user of the same type of equipment which fulfils essentially the same functions as the new equipment. This also applies to distributors of groceries with a total sales area of at least 800 m² who offer electrical and electronic equipment several times a

calendar year or on a permanent basis and make it available on the market. In addition, such distributors must, at the request of the end-user, take back in the retail shop or in the immediate vicinity free of charge old equipment that does not exceed 25 cm in any external dimension (small electrical equipment) thereof; in this case, take-back may not be linked to the purchase of an electrical or electronic equipment but may be limited to three old equipment per type of equipment.

The place of delivery is also the private household if the new electrical or electronic equipment is delivered; in this case the collection of the old equipment is free of charge for the end user.

The above obligations also apply to distribution using means of distance communication if the distributors maintain storage and dispatch areas for electrical and electronic equipment or total storage and dispatch areas for groceries that correspond to the sales areas mentioned above. However, the free collection of electrical and electronic equipment is then restricted to heat transmitters (e.g. refrigerators), screens, monitors and equipment containing screens with a surface area of more than 100 cm² and equipment where at least one of the external dimensions is more than 50 cm. For all other electrical and electronic equipment the distributor must ensure appropriate return facilities within a reasonable distance from the respective end-user; this also applies to small electrical equipment (see above) that the end-user wishes to return without purchasing a new equipment.

Energy saving

You can save energy during everyday cooking if you follow below hints.

- When you heat up water, use only the amount you need.
- If it is possible, always put the lids on the cookware.
- Before you activate the cooking area put the cookware on it.
- Put the smaller cookware on the smaller cooking areas.
- Put the cookware directly in the centre of the cooking area.
- Use the residual heat to keep the food warm or to melt it.

Care and cleaning

- Never use abrasive sponges, wire wool, hydrochloric acid or other products that might scratch or mark the surface.
- Food that falls accidentally or builds up on the surface, the functional or aesthetic elements of the Hob must not be eaten.
- Switch off or unplug the appliance from the mains supply before carrying out any maintenance work.
- Clean the appliance after every use, to prevent any residual food from burning on. It is much harder work to remove crusted and burned-on dirt.
- For day-to-day dirt, use a soft cloth or sponge and a suitable detergent. Follow the manufacturer's recommendations regarding detergents to be used. The use of protective detergents is recommended.
- Remove crusted dirt, for example milk that has boiled over, using a scraper pad suitable for vitreous ceramic, while the cook-hob is still hot. Follow the manufacturer's recommendations regarding scraper pads to be used.
- Remove food containing sugar, for example jam that has spilled during cooking, using a scraper pad suitable for

vitreous ceramic, while the Hob is still hot. If you do not, the residue may damage the vitreous ceramic surface.

- Remove any melted plastic using a scraper pad suitable for vitreous ceramic, while the Hob is still hot. If you do not, the residue may damage the vitreous ceramic surface.
- Remove limescale using a small amount of limescale remover solution, for example vinegar or lemon juice, once

the Hob has cooled down. Then clean again with a damp cloth.

- Do not cut or prepare foodstuffs on the surface, and do not drop hard objects onto it. Do not drag pans or plates over the surface.
- Do not use steam cleaning equipment.

Manufacturer

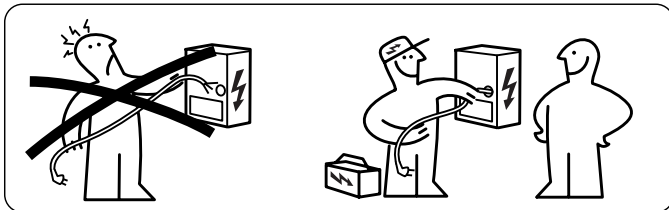
Ikea of Sweden AB - SE - 343 81 Älmhult, Sweden

Electrical connection

WARNING: All electrical connections must be carried out by an authorised installer.

- Before making the connections, check that the rated voltage of the appliance indicated on the rating plate corresponds to the mains power supply. The rating plate is affixed to the underside of the hob.
- Only use original components supplied by the spare parts service.
- The appliance is not equipped with a network cable. Purchase the correct one from a specialist dealer.
- If the cables are damaged, replace with original spare parts cables. Contact the call center of your IKEA store.

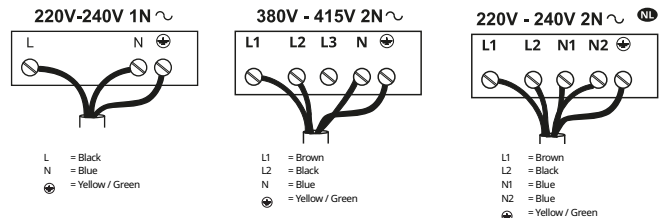
Caution! Do not solder any of the cables!



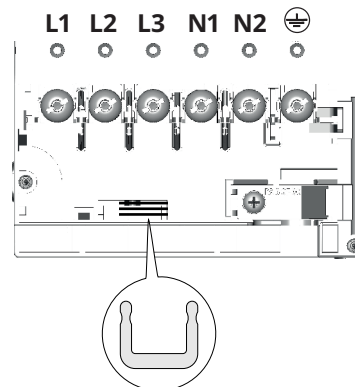
Electrical connection

- Follow the connection diagram (on the under side of the product).
- This appliance has a Y-type connection and requires a mains cable H05V2V2-F. Cable needs mandatory sleeves. According to IEC regulations use for one-phase connection: mains cable 3 x 4 mm², for two-phase connection: mains cable 4 x 2.5 mm² and for NL connection mains cable 5 x 2.5 mm². External cable diameter: min 8 mm - max 12 mm. Please respect specific national regulations in the first priority.
- The connection terminals can be accessed by removing the junction box cover.
- Check that the domestic power supply characteristics (voltage, maximum power and current) are compatible with those of the appliance.
- Connect the appliance as shown in the diagram (in compliance with reference standards in force nationally for mains voltage).

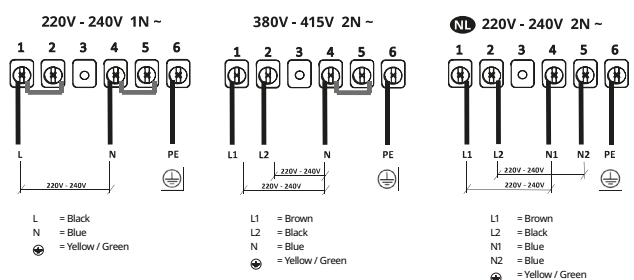
Connection diagram home side



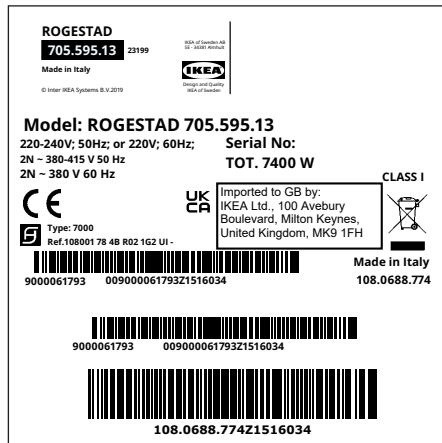
Connection diagram product side



Insert the shunts  between the screws as shown



Rating plate



The graphic above represents the rating plate of the appliance. The serial number is specific to each product. Dear Customer, keep the additional rating plate attached to the cover of this booklet.

This will allow us to assist you better by identifying precisely your hob, in case you need our assistance in the future. Thank you for your help!

IKEA GUARANTEE

How long is the IKEA guarantee valid?

This guarantee is valid for five (5) years from the original date of purchase of Your appliance at IKEA. The original sales receipt is required as proof of purchase. If service work is carried out under guarantee, this will not extend the guarantee period for the appliance.

Who will execute the service?

IKEA service provider will provide the service through its own service operations or authorized service partner network.

What does this guarantee cover?

The guarantee covers faults of the appliance, which have been caused by faulty construction or material faults from the date of purchase from IKEA. This guarantee applies to domestic use only. The exceptions are specified under the headline "What is not covered under this guarantee?" Within the guarantee period, the costs to remedy the fault e.g. repairs, parts, labour and travel will be covered, provided that the appliance is accessible for repair without special expenditure. On these conditions the EU guidelines (Nr. 99/44/EG) and the respective local regulations are applicable. Replaced parts become the property of IKEA.

What will IKEA do to correct the problem?

IKEA appointed service provider will examine the product and decide, at its sole discretion, if it is covered under this guarantee. If considered covered, IKEA service provider or its authorized service partner through its own service operations, will then, at its sole discretion, either repair the defective product or replace it with the same or a comparable product.

What is not covered under this guarantee?

- Normal wear and tear.
- Deliberate or negligent damage, damage caused by failure to observe operating instructions, incorrect installation or by connection to the wrong voltage, damage caused by chemical or electro-chemical reaction, rust, corrosion or water damage

including but not limited to damage caused by excessive lime in the water supply, damage caused by abnormal environmental conditions.

- Consumable parts including batteries and lamps.
- Non-functional and decorative parts which do not affect normal use of the appliance, including any scratches and possible color differences.
- Accidental damage caused by foreign objects or substances and cleaning or unblocking of filters, drainage systems or soap drawers.
- Damage to the following parts: ceramic glass, accessories, crockery and cutlery baskets, feed and drainage pipes, seals, lamps and lamp covers, screens, knobs, casings and parts of casings. Unless such damages can be proved to have been caused by production faults.
- Cases where no fault could be found during a technician's visit.
- Repairs not carried out by our appointed service providers and/or an authorized service contractual partner or where non-original parts have been used.
- Repairs caused by installation which is faulty or not according to specification.
- The use of the appliance in a non-domestic environment i.e. professional use.
- Transportation damages. If a customer transports the product to their home or other address, IKEA is not liable for any damage that may occur during transport. However, if IKEA delivers the product to the customer's delivery address, then damage to the product that occurs during this delivery will be covered by this guarantee.
- Cost for carrying out the initial installation of the IKEA appliance. However, if an IKEA service provider or its authorized service partner repairs or replaces the appliance under the terms of this guarantee, the service provider or its authorized service partner will re-install the repaired appliance or install the replacement, if necessary.

This restriction do not apply to fault-free work carried out by a

qualified specialist using our original parts in order to adapt the appliance to the technical safety specifications of another EU country.

How country law applies

The IKEA guarantee gives You specific legal rights, which covers or exceed local demands. However these conditions do not limit in any way consumer rights described in the local legislation

Area of validity

For appliances which are purchased in one EU country and taken to another EU country, the services will be provided in the framework of the guarantee conditions normal in the new country. An obligation to carry out services in the framework of the guarantee exists only if the appliance complies and is installed in accordance with:

- the technical specifications of the country in which the guarantee claim is made;
- the Assembly Instructions and User Manual Safety Information;

The dedicated After Sales Service for IKEA appliances:

Please do not hesitate to contact IKEA After Sales Service to:

1. make a service request under this guarantee;
2. ask for clarification on installation of the IKEA appliance in the dedicated IKEA kitchen furniture. The service won't provide clarifications related to:
 - the overall IKEA kitchen installation;
 - connections to electricity (if machine comes without plug and cable), to water and to gas since they have to be executed by an authorized service engineer.
3. ask for clarification on user manual contents and specifications of the IKEA appliance.

To ensure that we provide you with the best assistance, please read carefully the Assembly Instructions and/or the User Manual section of this booklet before contacting us.

How to reach us if You need our service



Please refer to the last page of this manual for the full list of IKEA appointed contacts and relative national phone numbers.


Important! In order to provide You with a quicker service, we recommend that You use the specific phone numbers listed at the end of this manual. Always refer to the numbers listed in the booklet of the specific appliance You need an assistance for. Before calling us, assure that You have to hand the IKEA article number (8 digit code) for the appliance of which you need our assistance.

Important! SAVE THE SALES RECEIPT! It is Your proof of purchase and required for the guarantee to apply. Note that the receipt reports also the IKEA article name and number (8 digit code) for each of the appliances you have purchased.


Do You need extra help?

For any additional questions not related to After Sales of your appliances. Please contact our nearest IKEA store call centre. We recommend you read the appliance documentation carefully before contacting us.

Sicherheitsinformationen

 Lesen Sie bitte für Ihre eigene Sicherheit und die korrekte Funktion des Geräts diese Betriebsanleitung sorgfältig durch, bevor Sie es installieren und in Betrieb nehmen. Verwahren Sie die Bedienungsanleitung stets zusammen mit dem Gerät, auch wenn Sie dieses an Dritte weitergeben oder übertragen. Es ist wichtig, dass die Benutzer mit allen Funktions- und Sicherheitsmerkmalen des Gerätes vertraut sind.

Die Induktionssysteme dieser Kochfelder entsprechen den Bestimmungen der EMV- und EMF-Richtlinien und dürfen keine anderen elektronischen Geräte stören. Personen mit Herzschrittmachern oder anderen elektronischen Implantaten sollten ihren Arzt oder den Hersteller des implantierten Geräts konsultieren, um ihre Störanfälligkeit zu beurteilen.


 Elektrische Anschlüsse sind von einem Fachmann auszuführen. Bevor Sie mit dem elektrischen Anschluss fortfahren, lesen Sie den Abschnitt ELEKTRISCHER ANSCHLUSS

Bei Geräten mit Stromkabel sind die Klemmen bzw. der Drahtquerschnitt zwischen dem Kabelverankerungspunkt und den Klemmen so anzuordnen, dass der spannungsführende Leiter stromaufwärts zum Erdkabel beim Austreten aus seiner Verankerung herausgezogen werden kann.


- Der Hersteller haftet nicht für etwaige Schäden, die durch die fehlerhafte Installation oder falschen Gebrauch entstehen könnten.
- Sicherstellen, dass die Netzspannung der auf dem Typenschild im Innern des Produkts angegebenen Spannung entspricht.
- Trennvorrichtungen müssen in Übereinstimmung mit den

Verkabelungsvorschriften in die feste Installation eingebaut werden.

- Für Geräte der Klasse I muss kontrolliert werden, ob das Versorgungsnetz des Gebäudes korrekt geerdet ist.
- Schließen Sie das Produkt mit einem allpoligen Schalter an das Stromnetz an.
- Wenn das Netzkabel beschädigt ist, muss es durch den Hersteller, ein autorisiertes Servicezentrum oder einen kompetenten Techniker ersetzt werden, um jedes Risiko oder jede Gefahrensituation zu vermeiden

 **WARNHINWEIS:** Bevor das Gerät installiert wird, die Schutzfolien abziehen.

- Verwenden Sie nur die mit dem Gerät gelieferten Schrauben und sonstigen Artikel

 **WARNHINWEIS:** Die mangelnde Verwendung von Schrauben und Befestigungselementen gemäß der vorliegenden Anleitung kann zu Stromschlaggefahr führen.

- Reinigungs- und Wartungsarbeiten dürfen nicht von Kindern durchgeführt werden, es sei denn unter Aufsicht eines Erwachsenen.
- Kinder müssen beaufsichtigt werden, damit sichergestellt wird, dass sie nicht mit dem Gerät spielen.
- Dieses Gerät darf nicht von Personen (einschließlich Kindern) mit eingeschränkten körperlichen, sensorischen oder geistigen Fähigkeiten oder ohne Erfahrung und Wissen verwendet werden, es sei denn, sie werden sorgfältig überwacht und hinsichtlich der sicheren Verwendung des Geräts durch eine verantwortliche Person eingewiesen.
- Dieses Gerät darf von Kindern ab 8 Jahren und von Personen mit beschränkten geistigen, physischen oder sensorischen Fähigkeiten oder mangels Erfahrung und/oder mangels Wissen benutzt werden, vorausgesetzt, sie werden aufmerksam

beaufsichtigt oder in den sicheren Gebrauch des Geräts und die damit verbundenen Gefahren eingewiesen. Lassen Sie Kinder nicht mit dem Gerät spielen.

⚠️ WARNHINWEIS: Das Gerät und seine zugänglichen Teile werden während des Betriebs sehr heiß.

Berühren Sie auf keinen Fall die Heizwiderstände.

Halten Sie Kinder unter 8 Jahren fern, es sei denn, sie werden ständig beaufsichtigt.

WARNHINWEIS: Wenn die Oberfläche Beschädigungen aufweist, schalten Sie das Gerät aus, um die Gefahr von Stromschlägen zu vermeiden.

- Nehmen Sie das Gerät nicht in Betrieb, wenn die Oberfläche Risse aufweist oder wenn sichtbare Schäden in der Materialstärke vorhanden sind.
- Berühren Sie das Gerät nicht mit den Händen oder mit nassen Körperteilen.
- Verwenden Sie zur Reinigung des Produkts keine Dampfgeräte
- Legen Sie keine Metallgegenstände wie Messer, Gabeln, Löffel und Deckel auf die Kochfeldoberfläche, da diese überhitzen können.
- Verwenden Sie den entsprechenden Befehl, um das Kochfeld nach Gebrauch auszuschalten; verlassen Sie sich nicht auf die Sensoren der Töpfe.

WARNHINWEIS: Es ist gefährlich, das Kochfeld unbeaufsichtigt zu lassen, wenn Öl oder Fett verwendet wird, da eine gefährliche Situation entstehen und ein Feuer ausbrechen könnte. Versuchen Sie NIEMALS, die Flammen mit Wasser zu löschen, sondern löschen Sie das Gerät und ersticken Sie die Flammen zum Beispiel mit einem Deckel oder einer Löschdecke.

ACHTUNG: Der Garvorgang muss

überwacht werden. Ein kurzer Garprozess muss ständig überwacht werden.

- Das Gerät ist nicht für den Betrieb durch einen externen Timer oder ein separates Fernsteuerungssystem vorgesehen.

WARNHINWEIS: Brandgefahr: Legen Sie keine Gegenstände auf die Kochflächen.

- Das Gerät muss so installiert werden, dass es durch eine Öffnung zwischen den Kontakten (3 mm), die eine vollständige Trennung unter Überlastbedingungen der Kategorie III gewährleistet, von der Stromversorgung getrennt werden kann.
- Das Gerät darf keinen Witterungseinflüssen (Regen, Sonne) ausgesetzt werden.
- Verpackungen außerhalb der Reichweite von Kindern und Haustieren aufbewahren.
- Stellen Sie sicher, dass das Gerät direkt an eine Steckdose angeschlossen ist.
- Verwenden Sie keine Adapter, Mehrfachsteckdosen oder Verlängerungskabel, um das Gerät anzuschließen
- Verwenden Sie das Gerät niemals für andere als die vorgesehenen Zwecke.
- Fritteusen müssen während des Gebrauchs ständig überwacht werden: Überhitztes Öl könnte sich entzünden.
- Betreiben Sie das Gerät nicht mit einem externen Timer oder einem separaten Fernbedienungssystem.
- Das Gerät darf niemals hinter einer dekorativen Tür installiert werden, um eine Überhitzung zu vermeiden.
- Stellen Sie sich nicht auf das Gerät, da es beschädigt werden könnte.
- Stellen Sie Töpfe und Pfannen nicht auf den Rand, da dies die Silikonfugen beschädigen könnte.

Installation

Bei der Installation sind die im Verwendungsland geltenden Gesetze, Verordnungen, Richtlinien und Normen (Vorschriften für die Sicherheit elektrischer Anlagen, ordnungsgemäße Wiederverwertung von Bauteilen usw.) einzuhalten!

- Weitere Informationen zur Installation finden Sie in den Installationsanleitungen.
- Verwenden Sie zwischen dem Gerät und der Arbeitsplatte keine Silikondichtungsmasse.
- Stellen Sie sicher, dass der Raum unter dem Kochfeld für die Luftzirkulation ausreicht. Lesen Sie die Installationsanleitung.
- Der Boden des Geräts kann sehr heiß werden. Wenn das Gerät über Schubladen installiert wird, achten Sie darauf, eine feuerfeste Trennwand unter dem Gerät anzubringen, um den Zugang zum Boden zu verhindern. Lesen Sie die Installationsanleitung.
- Die Belüftung des Geräts hat nach den Anweisungen des Herstellers zu erfolgen.
- Schaffen Sie im Herdblock eine Frontöffnung von mindestens 28

cm² zur Aufnahme des Kochfelds, um eine gute Belüftung des Produkts zu ermöglichen.

Anforderungen an den Herdblock

- Wird das Gerät auf brennbaren Materialien montiert, sind die Richtlinien und Vorschriften für Niederspannungsanlagen sowie die Brandschutzvorschriften strikt einzuhalten.
- Bei Einbaugeräten müssen die Bauteile (Kunststoff und furniertes Holz) mit hitzebeständigen Klebstoffen (min. 85 °C) aufgetragen werden: Die Verwendung von ungeeigneten Materialien und Klebstoffen kann zu Verformungen der Ablösungen der Komponenten führen.
- Die Verwendung von Massivholzprofilen um die Arbeitsplatte hinter dem Gerät ist zulässig, sofern die Mindestabstände stets den Anweisungen in den Installationszeichnungen entsprechen.
- Wenn sich unter dem Kochfeld kein Ofen befindet, installieren Sie eine Trennwand unter dem Gerät, wie in der Installationsanleitung gezeigt.

Informationen zum Umweltschutz

Informationen zur Entsorgung

Ihre Pflichten als Endnutzer



Dieses Elektro- bzw. Elektronikgerät ist mit einer durchgestrichenen Abfalltonne auf Rädern gekennzeichnet. Das Gerät darf deshalb nur getrennt vom unsortierten Siedlungsabfall gesammelt und zurückgenommen werden, es darf also nicht in den Hausmüll gegeben werden. Das Gerät kann z. B. bei einer kommunalen Sammelstelle oder ggf. bei einem Vertreter (siehe zu deren Rücknahmepflichten in Deutschland unten) abgegeben werden. Das gilt auch für alle Bauteile, Unterbaugruppen und Verbrauchsmaterialien des zu entsorgenden Altgeräts.

Bevor das Altgerät entsorgt werden darf, müssen alle Altbatterien und Akkumulatoren vom Altgerät getrennt werden, die nicht vom Altgerät umschlossen sind. Das gleiche gilt für Lampen, die zerstörungsfrei aus dem Altgerät entnommen werden können. Der Endnutzer ist zudem selbst dafür verantwortlich, personenbezogene Daten auf dem Altgerät zu löschen.

Hinweise zum Recycling



Helfen Sie mit, alle Materialien zu recyceln, die mit diesem Symbol gekennzeichnet sind. Entsorgen Sie solche Materialien, insbesondere Verpackungen, nicht im Hausmüll sondern über die bereitgestellten Recyclingbehälter oder die entsprechenden örtlichen Sammelsysteme.

Recyceln Sie zum Umwelt- und Gesundheitsschutz auch elektrische und elektronische Geräte.

Folgende Hinweise gelten ergänzend in Deutschland

Rücknahmepflichten der Vertreter

Wer auf mindestens 400 m² Verkaufsfläche Elektro- und Elektronikgeräte vertreibt oder sonst geschäftlich an Endnutzer abgibt, ist verpflichtet, bei Abgabe eines neuen Geräts ein Altgerät des Endnutzers der gleichen Geräteart, das im Wesentlichen die gleichen Funktionen wie das neue Gerät erfüllt, am Ort der Abgabe oder in unmittelbarer Nähe hierzu unentgeltlich zurückzunehmen. Das gilt auch für Vertreter von Lebensmitteln mit einer Gesamtverkaufsfläche von mindestens 800 m², die mehrmals im Kalenderjahr oder

dauerhaft Elektro- und Elektronikgeräte anbieten und auf dem Markt bereitstellen. Solche Vertreter müssen zudem auf Verlangen des Endnutzers Altgeräte, die in keiner äußeren Abmessung größer als 25 cm sind (kleine Elektrogeräte), im Einzelhandelsgeschäft oder in unmittelbarer Nähe hierzu unentgeltlich zurückzunehmen; die Rücknahme darf in diesem Fall nicht an den Kauf eines Elektro- oder Elektronikgerätes geknüpft, kann aber auf drei Altgeräte pro Geräteart beschränkt werden.

Ort der Abgabe ist auch der private Haushalt, wenn das neue Elektro- oder Elektronikgerät dorthin geliefert wird; in diesem Fall ist die Abholung des Altgerätes für den Endnutzer kostenlos.

Die vorstehenden Pflichten gelten auch für den Vertrieb unter Verwendung von Fernkommunikationsmitteln, wenn die Vertreter Lager- und Versandflächen für Elektro- und Elektronikgeräte bzw. Gesamt-lager- und -versandflächen für Lebensmittel vorhalten, die den oben genannten Verkaufsflächen entsprechen. Die unentgeltliche Abholung von Elektro- und Elektronikgeräten ist dann aber auf Wärmeüberträger (z. B. Kühlschrank), Bildschirme, Monitore und Geräte, die Bildschirme mit einer Oberfläche von mehr als 100 cm² enthalten, und Geräte beschränkt, bei denen mindestens eine der äußeren Abmessungen mehr als 50 cm beträgt. Für alle übrigen Elektro- und Elektronikgeräte muss der Vertreter geeignete Rückgabemöglichkeiten in zumutbarer Entfernung zum jeweiligen Endnutzer gewährleisten; das gilt auch für kleine Elektrogeräte (s.o.), die der Endnutzer zurückgeben will, ohne ein neues Gerät zu kaufen.

Energieeinsparung

Sie können jeden Tag beim Kochen Energie sparen, indem Sie die nachstehenden Ratschläge befolgen.

- Verwenden Sie beim Erwärmen von Wasser nur die erforderliche Menge.
- Decken Sie die Töpfe nach Möglichkeit immer mit dem Deckel ab.
- Bevor Sie die Kochzone aktivieren, stellen Sie den Topf auf.
- Stellen Sie die kleineren Töpfe auf die kleineren Kochzonen.
- Positionieren Sie die Töpfe direkt in der Mitte der Kochzone
- Nutzen Sie die Restwärme, um Lebensmittel warm zu halten oder zu schmelzen.

Reinigung und Wartung

- Verwenden Sie niemals Scheuerschwämme, Stahlwolle, Salzsäure oder andere Produkte, die Kratzer oder Flecken auf der Oberfläche hinterlassen könnten.
- Verzehren Sie keine Speisereste, die auf die Oberfläche und auf die funktionellen oder ästhetischen Elemente des Kochfeldes gefallen sind oder sich dort angesammelt haben könnten.

- Vor Reinigungs- oder Wartungsarbeiten am Gerät muss dieses ausgeschaltet und spannungslos gemacht werden.
- Reinigen Sie das Gerät nach jedem Gebrauch, damit keine Speiserückstände einbrennen. Es ist viel schwieriger, Spuren von verhärtetem oder verbranntem Schmutz zu entfernen.
- Um den täglichen Schmutz zu entfernen, verwenden Sie ein weiches Tuch oder einen Schwamm mit einem

geeigneten Reinigungsmittel. Befolgen Sie die Empfehlungen des Herstellers hinsichtlich der zu verwendenden Reinigungsmittel. Die Verwendung von neutralen Reinigungsmitteln wird unbedingt empfohlen.

- Spuren von verhärtetem Schmutz, z.B. überlaufende Milch beim Kochen, mit einem Schaber für Glaskeramikflächen entfernen, solange das Kochfeld noch heiß ist. Befolgen Sie die Empfehlungen des Herstellers hinsichtlich des zu verwendenden Schabers.
- Entfernen Sie zuckerreiche Speisereste, z.B. Marmeladenspritzer beim Kochen, mit einem Schaber für Glaskeramikflächen, solange das Kochfeld noch heiß ist. Solche Rückstände könnten, wenn sie nicht entfernt werden, die Glaskeramikoberfläche beschädigen.

- Entfernen Sie geschmolzenen Kunststoff mit einem Schaber für Glaskeramikflächen, solange das Kochfeld noch heiß ist. Solche Rückstände könnten, wenn sie nicht entfernt werden, die Glaskeramikoberfläche beschädigen.
- Entfernen Sie die Kalkflecken mit einer kleinen Menge Entkalkerlösung, zum Beispiel mit Essig oder Zitronensaft, sobald das Kochfeld abgekühlt ist. Anschließend erneut mit einem feuchten Tuch abwischen.
- Verwenden Sie die Oberfläche nicht zum Schneiden oder Zubereiten der Lebensmittel und achten Sie darauf, dass keine harten Gegenstände darauf fallen. Ziehen Sie keine Töpfe oder Geschirr über die Oberfläche.
- Verwenden Sie keine Dampfreiniger.

Hersteller

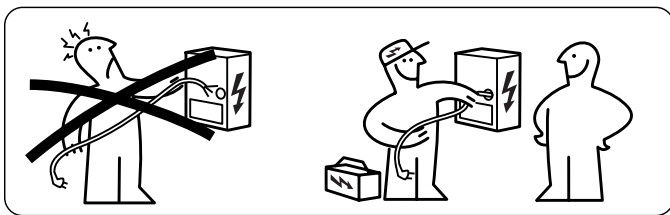
Ikea of Sweden AB - SE - 343 81 Älmhult, Schweden

Elektroanschluss

⚠️ WARNHINWEIS: Alle elektrischen Anschlüsse müssen von einem autorisierten Installateur ausgeführt werden.

- Prüfen Sie vor dem Anschließen, ob die auf dem Typenschild angegebene Nennspannung des Geräts mit der Netzspannung übereinstimmt. Das Typenschild befindet sich an der Unterseite des Kochfelds.
- Verwenden Sie nur Originalteile, die vom Ersatzteilservice geliefert werden.
- Das Gerät ist nicht mit einem Netzkabel ausgestattet. Kaufen Sie das richtige Exemplar bei einem Fachhändler.
- Ersetzen Sie bei Beschädigung die Netzkabel durch die jeweiligen Original-Ersatzkabel. Wenden Sie sich an das Callcenter in Ihrem IKEA Einrichtungshaus vor Ort.

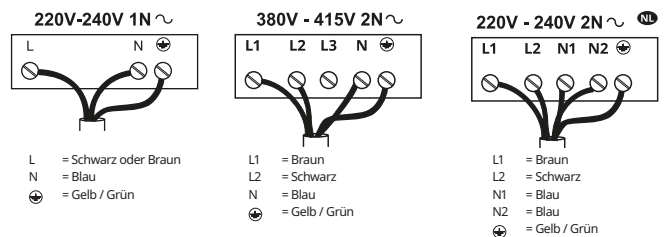
⚠️ ACHTUNG! Führen Sie keine Schweißungen an Kabeln aus!



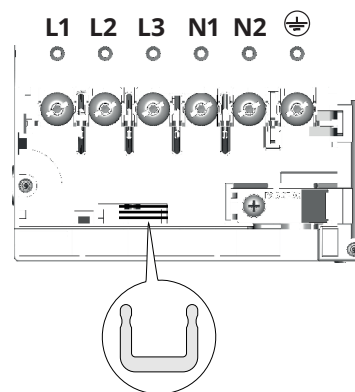
Elektroanschluss

- Halten Sie sich an den Schaltplan (an der unteren Seite des Produkts).
- Dieses Gerät hat einen Y-Anschluss und benötigt ein H05VV-F Stromkabel. Für das Kabel sind Aderendhülsen vorgeschrieben. Gemäß IEC-Norm für einphasigen Anschluss: 3 x 4 mm² Stromkabel, für zweiphasigen Anschluss: 4 x 2,5 mm² Stromkabel und für einen niederländischen Anschluss: 5 x 2,5 mm² Stromkabel verwenden. Außendurchmesser des Versorgungskabels: Min. 8 mm - max. 12 mm. Bitte beachten Sie die landesspezifischen Vorschriften.
- Die Anschlussklemmen sind durch Entfernen des Anschlusskastendeckels zugänglich.
- Stellen Sie sicher, dass die Eigenschaften der Hauselektrik (Spannung, maximale Leistung und Stromstärke) mit denen des Geräts übereinstimmen.
- Schließen Sie das Gerät wie in der Abbildung gezeigt an (gemäß den auf nationaler Ebene geltenden Referenzstandards für die Netzspannung).

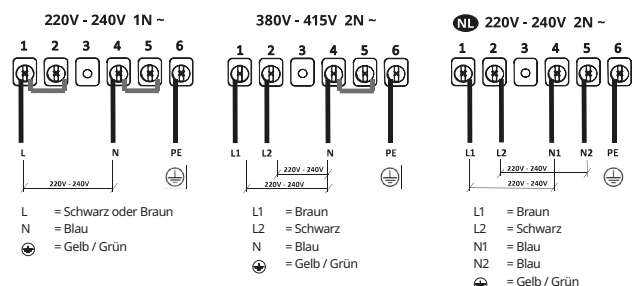
Anschlussplan Hausseite



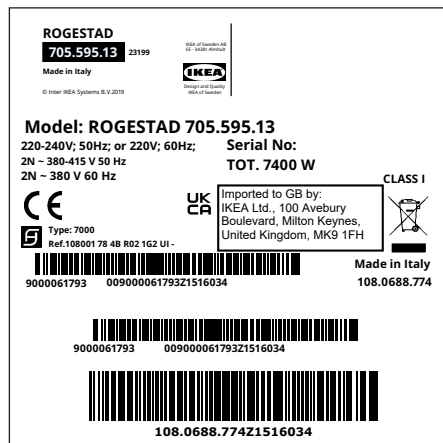
Anschlussplan Produktseite



Fügen Sie die Stromabzweiger  wie abgebildet zwischen die Klemmen ein



Typenschild



Das obenstehende Bild zeigt das Typenschild des Geräts. Die Seriennummer ist produktspezifisch. Sehr geehrter Kunde, bitte bewahren Sie das zusätzliche Typenschild auf, das auf dem Umschlag des mit dem Produkt gelieferten Sicherheitsdatenblattes angebracht ist.

Auf diese Weise können wir Sie besser unterstützen, indem wir das von Ihnen gekaufte Kochfeld genau identifizieren, sollten Sie in Zukunft unsere Hilfe benötigen. Vielen Dank für Ihre Mitarbeit!

IKEA GARANTIE

Wie lange gilt die IKEA-Garantie?

Diese Garantie hat eine Gültigkeit von fünf (5) Jahren ab Kaufdatum des Geräts bei IKEA. Der Original-Kassenzettel ist als Kaufbeleg unerlässlich. Reparaturen im Rahmen der Garantie verlängern nicht die Garantiezeit für das Gerät.

Wer übernimmt den Kundendienst?

Der von IKEA autorisierte Kundendienst führt die Serviceleistungen über seine eigene Organisation oder sein Netz autorisierter Servicepartner aus.

Was ist von der Garantie gedeckt?

Die Garantie gilt für Material- und/oder Konstruktionsfehler des Elektrogeräts und ist ab dem Kaufdatum des Elektrogeräts in einer IKEA-Filiale gültig. Die Garantie gilt nur für im Hausgebrauch benutzte Elektrogeräte. Ausnahmen sind unter „Was ist nicht von der Garantie gedeckt?“ aufgeführt. Während der Garantiefrist übernimmt die Kundendienststelle die Reparaturkosten (Ersatzteile, Arbeits- und Reisekosten des technischen Personals), sofern das Produkt ohne übermäßige Kosten repariert werden kann. Diese Bedingungen entsprechen den UE-Richtlinien (99/44/EG) und den anwendbaren örtlichen Verordnungen. Altteile gehen in das Eigentum von IKEA über.

Was wird von IKEA unternommen, um das Problem zu beheben?

Der von IKEA beauftragte Servicepartner begutachtet das Produkt und entscheidet nach seinem Dafürhalten, ob es unter die Garantie fällt. Liegt ein Garantiefall vor, lässt der entsprechende IKEA Servicepartner das mangelhafte Produkt nach seinem Dafürhalten durch seine eigenen Servicezentren reparieren oder ersetzt es durch ein gleiches oder gleichwertiges Produkt.

Was ist nicht von der Garantie gedeckt?

- Normaler Verschleiß.
- Absichtliche Beschädigung oder Beschädigung durch Fahrlässigkeit; Schäden durch Nichtbeachtung der

Bedienungsanleitung, unsachgemäße Installation oder Anschluss an falsche Stromspannung; Schäden durch chemische oder elektrochemische Reaktionen, Rost, Korrosion oder Wasserschäden; Schäden durch ungewöhnlich hohen Kalkgehalt in den Wasserleitungen sowie Schäden durch atmosphärische Einwirkungen oder Naturereignisse.

- Verschleißartikel wie Batterien und Glühlampen.
- Schäden an Dekorteilen oder nicht funktionellen Teilen, die den normalen Gebrauch des Elektrogeräts nicht beeinflussen, wie Kratzer oder farbliche Veränderungen.
- Schäden, die durch ungeeignete Substanzen oder Fremdkörper, Reinigung oder Lockerung der Filter, Abflusssysteme oder Einspülfächer hervorgerufen werden.
- Schäden an Teilen aus Glaskeramik, Zubehöerteilen, Korbeinsätzen für Geschirr und Bestecke, Zulauf- und Ablaufrohren, Dichtungen, Glühlampen und deren Abdeckungen, Schirmen, Knöpfe, Verkleidungen und Teile von Verkleidungen oder Hüllen, sofern derlei Schäden nicht durch Fabrikationsfehler verursacht wurden.
- Solche Fälle, in denen der Techniker keine Defekte festgestellt hat.
- Reparaturen, die nicht von einem IKEA Servicepartner durchgeführt wurden, sowie die Verwendung von nicht originalen Ersatzteilen.
- Reparaturen, die durch die unsachgemäße oder nicht mit den Spezifikationen konforme Installation erforderlich werden.
- Gebrauch des Elektrogeräts in anderen Umgebungen, als im Haushalt, zum Beispiel zu professionellen oder kommerziellen Zwecken.
- Transportschäden. Wird das Produkt vom Kunden selber nach Hause oder zu einer anderen Adresse transportiert, haftet IKEA nicht für etwaige Transportschäden. Wird das Produkt hingegen von IKEA an den Kunden geliefert, fallen etwaige Transportschäden unter die vorliegende Garantie.
- Kosten für die erneute Installation für das IKEA Gerät. Wenn jedoch ein IKEA Servicepartner oder eine andere autorisierter

Kundendienststelle im Rahmen der Garantie eine Reparatur oder einen Austausch des Geräts vornimmt, muss dieser auch für den erneuten Einbau des reparierten Geräts oder die Installation des Ersatzgeräts, wenn erforderlich, Sorge tragen. Diese Einschränkungen gelten nicht für kunstgerecht von Fachpersonal und unter Verwendung von Original-Ersatzteilen ausgeführte Anpassungen an die Sicherheitsvorschriften eines anderen EU-Landes.

Anwendbarkeit der nationalen Gesetze

Die IKEA Garantie bietet den Kunden zusätzlich zu den gesetzlich vorgeschriebenen Rechten des jeweiligen Anwenderlandes spezifische Rechte. Diese Bedingungen beschränken jedoch in keiner Weise die in den einschlägigen Gesetzen beschriebenen Verbraucherrechte.

Gültigkeitsbereich

Für in einem EU-Land gekaufte und in ein anderes EU-Land verbrachte Elektrogeräte werden Leistungen je nach den in dem Zweitland anwendbaren Garantiebedingungen erbracht. Eine Verpflichtung zur Bereitstellung der Leistungen gemäß Garantiebedingungen besteht nur, wenn das Gerät in Übereinstimmung steht und installiert wurde mit:

- den technischen Spezifikationen des Landes, in dem die Garantie eingefordert wird;
- den Sicherheitshinweisen in der Bedienungsanleitung.

After-Sales-Kundendienst für IKEA Elektrogeräte:

Wenden Sie sich in den folgenden Fällen an den After-Sales-Kundendienst von IKEA:

1. Anforderung eines Kundendienstes auf Garantie;
2. Klärungen zum Einbau von IKEA Elektrogeräten in den speziellen Küchenmöbeln von IKEA. Nicht geboten werden Unterstützung oder Klärungen bezüglich:
 - Installation von kompletten IKEA Küchen;
 - Elektroanschlüsse (bei ohne Kabel und Stecker gelieferten Geräten), Wasseranschlüsse und Anschlüsse an die Gasversorgung, die von einem Techniker einer autorisierten Kundendienststelle ausgeführt werden müssen.
3. Erklärungen zum Inhalt der Bedienungsanleitung und der Spezifikationen des IKEA Elektrogeräts.

Für beste Serviceleistungen sollten die Montageanleitungen und/oder die Bedienungsanleitung aufmerksam gelesen werden, bevor der Kundendienst kontaktiert wird.

Kontaktaufnahme im Bedarfsfall



Auf der letzten Seite dieses Handbuchs ist die vollständige Liste der zugelassenen IKEA-Kundendienststellen mit den entsprechenden Telefonnummern aufgeführt.

Wichtig! Um einen schnelleren Service zu gewährleisten, empfehlen wir die am Ende dieses Handbuchs aufgelisteten Telefonnummern zu nutzen. Bei der Serviceanforderung beziehen Sie sich immer auf die spezifischen Codes der Geräte, die Sie in diesem Handbuch finden. Bevor Sie uns kontaktieren, sollten Sie den IKEA Produkt-Code (8-stellig) des Elektrogeräts, für das Sie Unterstützung benötigen, bereit legen.


Wichtig! KASSENBON AUFBEWAHREN!! Er gilt als Kaufnachweis und muss bei Garantieansprüchen vorgelegt werden. Auf dem Kassenbon sind auch der Name und der Code (8-stellig) des IKEA

Elektrogeräts angegeben, das Sie gekauft haben.


Noch mehr Hilfe?

Für weitere Fragen, die nicht mit dem Kundendienst für Geräte zusammenhängen, wenden Sie sich bitte an die nächstgelegene IKEA-Filiale. Bitte lesen Sie vor der Kontaktaufnahme sorgsam die Unterlagen des Geräts durch.

Consignes de sécurité

 Pour votre sécurité et pour garantir le fonctionnement correct de l'appareil, veuillez lire attentivement ce manuel avant son installation et sa mise en fonction. Toujours conserver ces instructions avec l'appareil, même en cas de cession ou de transfert à des tiers. Il est important que les utilisateurs connaissent toutes les caractéristiques de fonctionnement et de sécurité de l'appareil.

Ces tables de cuisson disposent de systèmes d'induction conformes aux exigences des directives EMC et EMF et ne devraient pas interférer avec d'autres appareils électroniques. Les porteurs de pacemakers ou d'autres implants électroniques doivent consulter leur médecin ou le fabricant de ces implants pour évaluer leur degré de sensibilité aux interférences.

 Faire effectuer les raccordements électriques par un technicien spécialisé. Avant de procéder au raccordement électrique, lire la section RACCORDEMENT ÉLECTRIQUE.

Pour les appareils munis d'un cordon d'alimentation, les bornes ou la section des fils entre le point d'ancrage du cordon et les bornes doivent être disposées de manière à permettre d'extraire le conducteur sous tension en amont du câble de mise à la terre au cas où le cordon sortirait de son ancrage.


- En aucun cas le fabricant ne pourra être tenu pour responsable des dommages éventuellement provoqués par une installation ou une utilisation impropre.
- Vérifier que la tension électrique indiquée sur la plaque signalétique fixée à l'intérieur de l'appareil correspond à la tension du secteur.
- Les dispositifs de sectionnement doivent être installés dans l'équipement fixe,

conformément aux normes sur les systèmes de câblage.

- Pour les appareils de Classe I, contrôlez que le réseau d'alimentation de votre intérieur dispose d'une mise à la terre appropriée.
- Raccorder l'appareil au secteur avec un interrupteur omnipolaire.
- Si le cordon d'alimentation est endommagé, le faire remplacer par le fabricant, par un service après-vente agréé ou par un technicien spécialisé, afin d'éviter tout risque ou situation de danger.

 **AVERTISSEMENT:** Avant d'installer l'appareil, retirer les films de protection.

- Utiliser uniquement les vis et les petites pièces fournies avec l'appareil.

 **AVERTISSEMENT:** Toute installation de vis ou de dispositifs de fixation non conformes à ces instructions peut entraîner des risques de décharges électriques.

- Les opérations de nettoyage et d'entretien ne doivent pas être effectuées par des enfants, à moins qu'ils ne soient surveillés par un adulte.
- Surveiller les enfants. S'assurer qu'ils ne jouent pas avec cet appareil.
- Cet appareil ne doit pas être utilisé par des personnes (enfants compris) dont les capacités physiques, sensorielles ou mentales sont diminuées ou ayant une expérience et des connaissances insuffisantes, à moins qu'elles ne soient attentivement surveillées et aient été instruites sur la manière d'utiliser l'appareil en sécurité par une personne responsable de leur sécurité.
- Cet appareil peut être utilisé par des enfants de plus de 8 ans et par des personnes dont les capacités physiques, sensorielles ou mentales sont diminuées ou ayant une expérience et des connaissances

insuffisantes, à condition que ce soit sous la surveillance attentive d'une personne responsable et après avoir été instruits sur la manière d'utiliser cet appareil en toute sécurité et sur les dangers que cela comporte. S'assurer que les enfants ne jouent pas avec cet appareil.

⚠️ AVERTISSEMENT : L'appareil et ses parties accessibles peuvent atteindre de très hautes températures durant l'utilisation.

Prendre garde de ne pas toucher les résistances.

Les enfants de moins de 8 ans doivent être tenus à l'écart de l'appareil, à moins qu'ils ne soient surveillés en permanence.

AVERTISSEMENT : Si la surface présente des fissures, éteindre l'appareil pour éviter tout risque de décharge électrique.

- Ne pas actionner l'appareil si sa surface est fissurée ou si des dommages sont visibles dans l'épaisseur du matériau.
- Ne pas toucher l'appareil avec les mains ou des parties du corps mouillées.
- Ne pas utiliser des appareils à vapeur pour nettoyer le produit.
- Ne pas poser d'objets métalliques tels que couteaux, fourchettes, cuillères, et couvercles sur la surface de la table de cuisson, car ils pourraient atteindre des températures très élevées.
- Utiliser la commande prévue pour éteindre la table de cuisson après son utilisation, ne pas s'en remettre aux capteurs des casseroles.

AVERTISSEMENT : Il est dangereux de laisser la table de cuisson sans surveillance lorsque vous utilisez de l'huile ou des graisses. Cela pourrait provoquer une situation de danger et un risque d'incendie. Ne JAMAIS essayer d'éteindre des flammes avec de l'eau, mais éteindre l'appareil et étouffer le feu, par exemple avec un couvercle ou une couverture d'extinction.

ATTENTION : Surveiller le processus de cuisson. Un processus de cuisson court doit être surveillé constamment.

- Cet appareil n'a pas été conçu pour être mis en marche via un minuteur externe ou un système de télécommande séparé.

AVERTISSEMENT : Danger d'incendie : ne pas poser d'objets sur les surfaces de cuisson.

- L'appareil doit être installé de manière à permettre le sectionnement de l'alimentation électrique avec un écart entre les contacts (3 mm) à même d'assurer le sectionnement complet dans des conditions de surtension de catégorie III.
- Ne jamais exposer l'appareil aux agents atmosphériques (pluie, soleil).
- Ranger les emballages hors de portée des enfants et des animaux domestiques.
- S'assurer que le dispositif est directement raccordé à la prise de courant.
- Ne jamais utiliser d'adaptateurs, de multiprises ou de rallonges pour raccorder l'appareil.
- N'utiliser en aucun cas l'appareil à des fins autres que celles pour lesquelles il a été conçu.
- Contrôlez constamment les friteuses durant leur utilisation: l'huile surchauffée risque de s'incendier.
- Ne pas actionner l'appareil avec un minuteur externe ou un système de télécommande séparée.
- Ne jamais installer l'appareil derrière une porte décorative afin d'éviter toute surchauffe.
- Ne pas se tenir debout sur l'appareil, sous risque de l'endommager.
- Ne pas poser de casseroles ou de poêles sur le bord, sous risque d'endommager les joints en silicone.

Installation

Le technicien chargé de l'installation est tenu de se conformer à la législation, aux réglementations, aux directives et aux normes (règlements sur la sécurité des installations électriques, le recyclage correct des composants, etc.) en vigueur dans le pays d'utilisation.


- Pour plus d'informations sur l'installation, voir les Instructions de montage.
- Ne pas utiliser de colle silicone entre l'appareil et le plan de travail.
- Veiller à ce que l'espace sous la table de cuisson soit suffisant pour permettre l'aération. Voir les Instructions de montage.
- Le fond de l'appareil peut devenir très chaud. Si l'appareil est monté au-dessus de tiroirs, installer un panneau de séparation ignifuge sous l'appareil pour empêcher l'accès au fond. Voir les Instructions de montage.
- La ventilation de l'appareil doit être conforme aux instructions du fabricant.
- Réaliser une ouverture frontale d'au moins 28 cm² dans le meuble qui accueillera la table de cuisson, afin de permettre une bonne ventilation du produit.

Exigences relatives au bloc cuisine


- Si l'appareil est monté sur des matériaux inflammables, respecter scrupuleusement les directives et les règlements relatifs aux installations à basse tension et à la prévention contre l'incendie.
- Dans les unités à encastrer, appliquer les composants (en matière plastique ou en bois plaqué) avec des colles résistant à la chaleur (min. 85 °C): l'utilisation de matériaux ou de colles inadaptés risque de provoquer la déformation ou le décollement des composants.
- L'utilisation de bordures décoratives en bois massif autour du plan de travail derrière l'appareil est autorisée, à condition que la distance minimale soit toujours conforme aux indications fournies dans les plans d'installation.
- En absence de four sous la table de cuisson, installer un panneau de séparation sous l'appareil, comme illustré dans les instructions de montage.

Aspects environnementaux

Élimination des électroménagers

- Le symbole  marqué sur le produit ou sur son emballage indique que ce produit ne peut pas être éliminé comme un déchet ménager normal. Cet appareil doit être remis à une déchetterie spécialisée dans le recyclage des composants électriques et électroniques. Assurez-vous que cet appareil a été éliminé correctement, vous participerez ainsi à prévenir les conséquences potentiellement négatives pour l'environnement et pour la santé pouvant découler d'une élimination inappropriée. Pour des informations plus détaillées sur la manière de recycler ce produit, veuillez contacter votre municipalité, votre déchetterie locale ou le magasin où vous avez acheté ce produit.

Élimination des emballages

Les matériaux marqués du symbole  sont recyclables. Jeter l'emballage dans les conteneurs à déchets spécialement prévus pour leur recyclage.

Économie d'énergie

Les conseils ci-après vous permettront d'économiser quotidiennement de l'énergie durant la cuisson.

- Lorsque vous faites chauffer de l'eau, utilisez uniquement la quantité nécessaire.
- Si possible, toujours couvrir les casseroles avec leur couvercle.
- Bien mettre en place la casserole avant d'activer la zone de cuisson.
- Utiliser les zones de cuisson plus petites pour les petites casseroles.
- Placer les casseroles directement au centre de la zone de cuisson.
- Utiliser la chaleur résiduelle pour garder chauds les aliments ou pour les faire fondre.

Nettoyage et entretien

- Ne jamais utiliser de tampons à récurer, laine d'acier, acide muriatique ou autres produits qui pourraient rayer ou marquer la surface.
- Ne consommez aucun résidu alimentaire qui serait tombé ou se serait déposé sur la surface et sur les éléments fonctionnels ou esthétiques de la table de cuisson.
- Avant d'effectuer toute opération de nettoyage ou d'entretien, éteindre ou débrancher l'appareil du secteur.
- Nettoyer l'appareil après chaque utilisation, afin d'éviter la combustion des résidus alimentaires. Les traces de saleté durcies ou brûlées sont bien plus difficiles à éliminer.
- Éliminer la saleté quotidienne avec un chiffon doux ou une éponge avec un produit détergent approprié. Suivre les conseils du fabricant en ce qui concerne les produits nettoyants à utiliser. Utiliser les produits détergents neutres.
- Enlevez toute trace de saleté durcie, par exemple du lait qui a débordé pendant l'ébullition, à l'aide d'un grattoir pour surfaces en vitrocéramique lorsque la table de cuisson est encore chaude. Suivre les conseils du fabricant en ce qui concerne le raclage à utiliser.
- Enlever les résidus alimentaires riches en sucre, par exemple les éclaboussures de confiture pendant la cuisson, à l'aide

d'un grattoir pour surfaces en vitrocéramique lorsque la table de cuisson est encore chaude. Sans cela, les résidus pourraient endommager la surface en vitrocéramique.

- Enlever tout résidu de matière plastique fondue à l'aide d'un grattoir pour surfaces en vitrocéramique lorsque la table de cuisson est encore chaude. Sans cela, les résidus pourraient endommager la surface en vitrocéramique.
- Éliminer les traces de calcaire en utilisant une petite quantité

d'une solution anticalcaire, par exemple du vinaigre ou du jus de citron. Pour ce faire, attendre que la table de cuisson soit froide. Ensuite, nettoyer de nouveau avec un chiffon humide.

- Ne pas couper ou préparer des aliments sur la surface et ne pas y faire tomber d'objets durs. Ne pas faire glisser des casseroles ou des plats sur la surface.
- Ne pas utiliser des appareils de nettoyage à vapeur.

Producteur

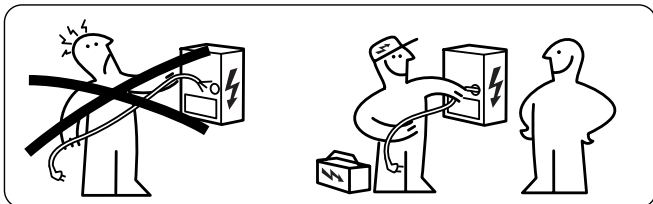
Ikea of Sweden AB - SE - 343 81 Älmhult, Suède

Raccordement électrique

AVERTISSEMENT: Toutes les connexions électriques doivent être effectuées par un installateur agréé.

- Avant d'effectuer les branchements, vérifier que la tension nominale de l'appareil indiquée sur la plaque des données correspond à la tension d'alimentation du secteur. La plaque signalétique est appliquée sur le côté inférieur de la table de cuisson.
- Utiliser uniquement des composants d'origine fournis par le service des pièces détachées.
- L'appareil n'est pas équipé d'un câble d'alimentation. Achetez le bon modèle auprès d'un revendeur spécialisé.
- En cas d'endommagement, remplacer les câbles d'alimentation par des câbles de rechange d'origine. Contacter le call center du magasin IKEA le plus proche.

Attention! Ne pas souder les câbles!



Raccordement électrique

- Suivre le schéma de câblage (placé sur le côté inférieur du produit).
- Cet appareil a une connexion de type « Y » et nécessite un câble d'alimentation H05VV-F. Le câble nécessite des manchons d'extrémité obligatoires. Selon la norme CEI, utiliser pour une connexion monophasée : un câble d'alimentation de 3 x 4 mm², pour une connexion biphasée : un câble d'alimentation de 4 x 2,5 mm² et pour une connexion en Hollande : un câble d'alimentation de 5 x 2,5 mm². Diamètre extérieur du câble d'alimentation : min 8 mm - max 12 mm. Veuillez respecter les réglementations nationales spécifiques.
- Les bornes de connexion sont accessibles en retirant le couvercle de la boîte de jonction.
- S'assurer que les caractéristiques de l'installation électrique domestique (tension, puissance maximale et courant) correspondent à celles de l'appareil.
- Brancher l'appareil de la manière indiquée dans le schéma (conformément aux normes de référence pour ce qui concerne la tension du secteur en vigueur au niveau national).

Schéma de branchement côté maison

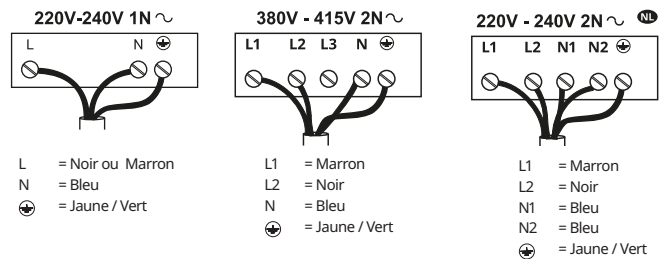
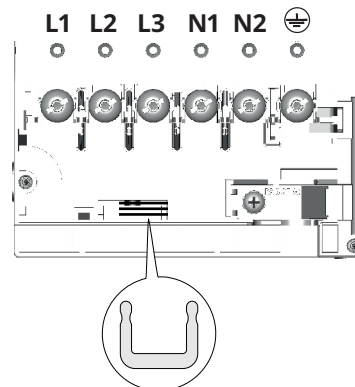

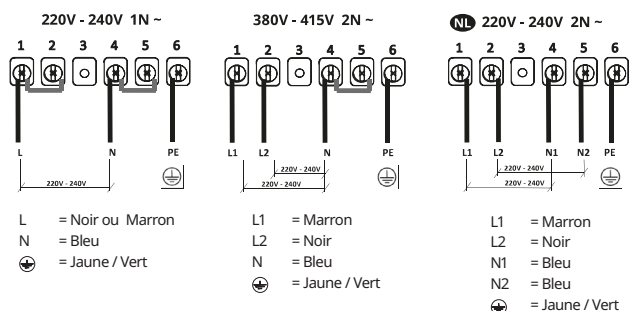


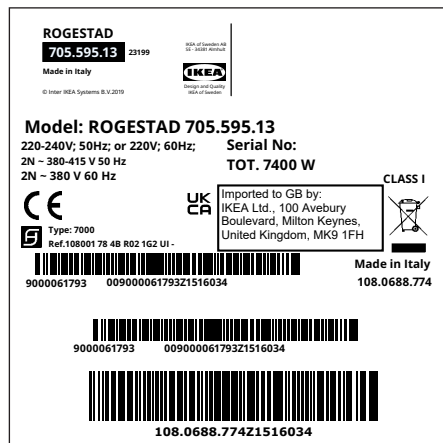
Schéma de branchement côté produit



Insérer des shunts  entre les bornes, comme illustré dans la figure:



Plaque signalétique



La figure ci-dessus représente la plaque signalétique de l'appareil. Le numéro de série est spécifique pour chaque produit. Chère cliente, cher client, veuillez conserver la plaque signalétique supplémentaire appliquée sur la couverture de la Notice de sécurité fournie avec l'appareil.

Cela nous permettra d'identifier avec précision la table de cuisson que vous avez achetée, en cas de nécessité d'assistance. Merci de votre collaboration!

GARANTIE IKEA

Quelle est la durée de validité de la garantie IKEA ?

Cette garantie est valable cinq (5) ans à compter de la date d'achat de votre appareil chez IKEA. L'original du ticket de caisse est indispensable comme preuve de l'achat. Toute réparation effectuée dans le cadre de la garantie n'a pas pour conséquence de prolonger la période de garantie de l'appareil.

Qui se charge du service après-vente ?

Le service après-vente aux clients sera garanti par le prestataire du service désigné par IKEA par le biais de sa propre organisation ou de son propre réseau de partenaires contractuels agréés.

Que couvre la garantie ?

La garantie couvre les défauts éventuels liés aux matériaux et/ou à la fabrication de l'électroménager et elle est valable à partir de la date d'achat de l'électroménager dans un point de vente IKEA. Cette garantie n'est valable que sur les électroménagers destinés à un usage domestique. Les exceptions sont décrites dans la rubrique « Qu'est-ce qui n'est pas couvert par la garantie ? » Pendant la période de validité de la garantie, les coûts de réparation (pièces de rechange, main-d'œuvre et déplacements du personnel technique) seront pris en charge par le service après-vente, à condition que l'accès à l'appareil pour la réparation ne comporte pas de frais particuliers. Ces conditions sont conformes aux directives UE (N° 99/44/CE) et aux normes et réglementations locales applicables. Les pièces remplacées deviendront de la propriété d'IKEA.

Comment interviendra IKEA pour résoudre le problème ?

Le prestataire du service désigné par IKEA examinera le produit et décidera, à sa seule discrétion, si celui-ci fait partie des prestations en garantie. Dans le cas affirmatif, le prestataire du service après-vente IKEA ou son partenaire contractuel agréé, par le biais de ses services d'assistance,

décidera à sa seule discrétion si réparer le produit défaillant ou si le remplacer par un produit identique ou de valeur équivalente.

Qu'est-ce qui n'est pas couvert par la garantie ?

- L'usure normale.
- Les dommages occasionnés délibérément ou dus à une négligence, les dommages résultant du non-respect des instructions de fonctionnement, d'une installation non correcte ou dus à un branchement à une tension erronée, les dommages causés par des réactions chimiques ou électrochimiques, la rouille, la corrosion ou les dommages provoqués par l'eau, y compris les dommages causés par un excès de calcaire dans les conduites hydriques et les dommages causés par des événements atmosphériques et naturels.
- Les consommables, tels que les piles et les ampoules.
- Les parties décoratives et non fonctionnelles qui n'ont pas d'incidence sur l'utilisation normale de l'électroménager, de même que des rayures ou des variations de couleur.
- Les dommages accidentels causés par des substances ou des corps étrangers et le nettoyage et le débouchage des filtres, les systèmes de vidange ou les compartiments à lessive.
- Les dommages occasionnés sur des éléments tels que vitrocéramique, paniers à vaisselle et à couverts, tuyaux d'alimentation et de vidange, joints, ampoules et diffuseurs, écrans, boutons, revêtements et parties de carrosserie, à moins qu'il puisse être prouvé que ces dommages ont été provoqués par des défauts de fabrication.
- Les cas où aucune défectuosité n'a été constatée lors de la visite d'un technicien.
- Les réparations qui n'ont pas été effectuées par les techniciens du service après-vente désigné par IKEA, ou par un partenaire contractuel agréé ou lorsque les pièces

utilisées pour la réparation ne sont pas d'origine.

- Les réparations causées par une installation non correcte ou non conforme aux spécifications.
- L'utilisation de l'électroménager dans un environnement non domestique, par exemple pour un usage professionnel.
- Les dommages occasionnés par le transport. En cas de transport effectué par le client jusqu'à son domicile ou à une autre adresse, IKEA décline toute responsabilité en cas de dommages qui se seraient vérifiés pendant le transport. Cependant, si le transport au domicile du client est effectué par IKEA, tout dommage éventuel dû au transport sera couvert par la présente garantie.
- Les frais liés à l'installation initiale de l'appareil IKEA. Toutefois, si un prestataire de service désigné par IKEA ou son partenaire contractuel agréé effectue une réparation ou un remplacement de l'appareil dans le cadre de la garantie, le prestataire ou le partenaire contractuel agréé devra également réinstaller l'appareil réparé ou, le cas échéant, installer l'appareil de remplacement.

Ces restrictions ne s'appliquent pas aux travaux effectués dans les règles de l'art par des personnels qualifiés utilisant des pièces d'origine pour adapter l'appareil aux normes de sécurité d'un autre pays de l'UE.

Application des lois nationales

La garantie IKEA donne au client des droits légaux spécifiques en plus des droits prévus par la loi et qui varient selon les pays. Cependant, ces conditions ne limitent en aucune manière les droits du consommateur décrits dans la législation locale.

Zone de validité

Pour les électroménagers achetés dans un pays de l'UE et transportés dans un autre pays de l'UE, les services seront fournis sur la base des conditions de garantie applicables dans le nouveau pays. L'obligation de fournir le service sur la base des conditions de la garantie subsiste seulement si l'appareil est conforme et installé conformément :

- aux spécifications techniques du pays dans lequel l'application de la garantie est demandée ;
- aux informations relatives à la sécurité figurant dans le manuel de l'utilisateur.

Service Après-vente dédié aux électroménagers IKEA :

N'hésitez pas à contacter un service Après-vente IKEA pour :

1. demander un service en bénéficiant de la garantie ;
2. demander des éclaircissements au sujet de l'installation des électroménagers IKEA dans les meubles de cuisine spécifiques d'IKEA. Le service ne fournira pas d'assistance ou d'éclaircissements au sujet de :
 - l'installation de cuisines complètes IKEA ;
 - les connexions électriques (si l'appareil est fourni sans câbles ni fiches), branchements hydrauliques et branchements au réseau du gaz qui doivent être effectués par un technicien d'assistance agréé;
3. demander des éclaircissements au sujet du contenu du manuel de l'utilisateur ou des spécifications de l'électroménager IKEA.

Pour vous garantir la meilleure assistance, avant de nous contacter, veuillez lire attentivement les instructions de montage et/ou le manuel de l'utilisateur.

Comment nous joindre si vous avez besoin de notre intervention



Voir la liste complète des prestataires de service IKEA avec les numéros de téléphone nationaux indiqués à la dernière page de ce manuel.


Important ! Pour garantir un service plus rapide, nous vous recommandons d'utiliser les numéros de téléphone indiqués à la fin de ce manuel. Lors d'une demande d'assistance, toujours faire référence aux codes spécifiques de l'appareil indiqués dans ce manuel. Avant de nous contacter, assurez-vous d'avoir à portée de main le code produit IKEA (8 chiffres) relatif à l'appareil pour lequel vous demandez l'assistance.

Important ! CONSERVEZ LE TICKET DE CAISSE ! C'est votre preuve d'achat et il vous sera demandé de le présenter pour bénéficier de la garantie. Le ticket de caisse contient aussi le nom et le code (à 8 chiffres) de chaque électroménager IKEA que vous avez acheté.


Besoin d'aide supplémentaire ?

Pour toute question supplémentaire ne concernant pas le service après-vente des appareils, veuillez contacter votre magasin IKEA le plus proche. Nous vous prions de lire attentivement la documentation fournie avec l'appareil avant de nous contacter.

Informazioni sulla sicurezza

 Per la propria sicurezza e per assicurare il corretto funzionamento dell'apparecchio, si prega di leggere attentamente questo manuale prima dell'installazione e della messa in funzione. Tenere queste istruzioni insieme all'apparecchio, anche in caso di cessione o trasferimento a terzi. È importante che gli utilizzatori conoscano tutte le caratteristiche di funzionamento e sicurezza dell'apparecchio.


Questi piani cottura dispongono di sistemi di induzione conformi ai requisiti delle direttive EMC e EMF e non dovrebbero interferire con altri dispositivi elettronici. I portatori di pacemaker o altri impianti elettronici devono consultare il proprio medico o il produttore del dispositivo impiantato per valutarne il grado di suscettibilità alle interferenze.

 I collegamenti elettrici devono essere eseguiti da un tecnico competente. Prima di eseguire il collegamento elettrico, leggere la sezione COLLEGAMENTO ELETTRICO.


Per gli apparecchi con cavo di alimentazione, i morsetti o la sezione dei fili tra il punto di ancoraggio del cavo e i morsetti devono essere disposti in modo tale da consentire di estrarre il conduttore sotto tensione a monte del cavo di terra in caso di fuoriuscita dal suo ancoraggio.

- Il fabbricante non potrà essere ritenuto responsabile per eventuali danni risultanti da un'installazione o utilizzazione impropria.
- Controllare che l'alimentazione di rete corrisponda a quella indicata sulla targhetta dati fissata all'interno del prodotto.
- I dispositivi di sezionamento devono essere installati nell'impianto fisso in conformità alle normative sui sistemi di cablaggio.
- Per gli apparecchi di Classe I, controllare che la rete di alimentazione domestica disponga di una adeguata messa a terra
- Collegare il prodotto alla rete elettrica utilizzando un interruttore onnipolare.
- Se il cavo di alimentazione è danneggiato,


è necessario farlo sostituire dal produttore, da un centro assistenza autorizzato o da un tecnico competente per evitare qualsiasi rischio o situazione di pericolo.

 **AVVERTENZA:** Prima di installare l'apparecchio, rimuovere le pellicole di protezione.

- Usare solo le viti e gli altri articoli di ferramenta forniti insieme all'apparecchio.

 **AVVERTENZA:** La mancata installazione delle viti o dei dispositivi di fissaggio come descritto nelle presenti istruzioni può comportare rischi di scosse elettriche.

- Le operazioni di pulizia e manutenzione non devono essere effettuate da bambini, a meno che non siano sorvegliati da un adulto.
- I bambini devono essere sorvegliati per assicurarsi che non giochino con l'apparecchio.
- Questo apparecchio non deve essere utilizzato da persone (bambini compresi) con ridotte capacità psico-fisico-sensoriali o prive di esperienza e conoscenze, a meno che non siano attentamente sorvegliate e istruite in merito all'utilizzo sicuro dell'apparecchio da una persona responsabile per la loro sicurezza.
- Questo apparecchio può essere utilizzato da bambini di età non inferiore a 8 anni e da persone con ridotte capacità psico-fisico-sensoriali o con esperienza e conoscenze insufficienti, purché attentamente sorvegliati e istruiti in merito all'utilizzo sicuro dell'apparecchio e ai pericoli che ciò comporta. Non lasciare che i bambini giochino con l'apparecchio.

 **AVVERTENZA:** L'apparecchio e le sue parti accessibili diventano molto caldi durante l'uso.

Prestare grande attenzione a non toccare le resistenze.

Tenere lontani i bambini di età inferiore a 8 anni, a meno che non siano costantemente sorvegliati.

AVVERTENZA: Se la superficie presenta incrinature, spegnere l'apparecchio per evitare il rischio di scosse elettriche.

- Non azionare l'apparecchio se la superficie è incrinata o se vi sono danni visibili nello spessore del materiale.
- Non toccare l'apparecchio con le mani o parti del corpo bagnate.
- Non utilizzare apparecchi a vapore per la pulizia del prodotto.
- Non appoggiare sulla superficie del piano cottura oggetti metallici come coltelli, forchette, cucchiari e coperchi, perché possono surriscaldarsi.
- Utilizzare l'apposito comando per spegnere il piano cottura dopo l'uso; non affidarsi ai sensori delle pentole.

AVVERTENZA: È pericoloso lasciare incustodito il piano cottura quando si utilizzano olio o grassi, perché potrebbe crearsi una situazione di pericolo e svilupparsi un incendio. Non tentare MAI di estinguere eventuali fiamme con acqua, ma spegnere l'apparecchio e soffocare le fiamme per esempio con un coperchio o una coperta antifiamma.

ATTENZIONE: Il processo di cottura deve essere sorvegliato. Un breve procedimento di cottura deve essere sorvegliato costantemente.

- L'apparecchio non è progettato per essere messo in funzione per mezzo di un timer esterno o un sistema di telecomando separato.

AVVERTENZA: Pericolo di incendio: non appoggiare oggetti sulle superfici di cottura.

- L'apparecchio deve essere installato in modo da permettere il sezionamento dall'alimentazione elettrica con un'apertura tra i contatti (3 mm) che assicuri il sezionamento completo in condizioni di sovraccarico di categoria III.
- L'apparecchio non deve mai essere esposto agli agenti atmosferici (pioggia, sole).
- Tenere gli imballaggi fuori dalla portata dei bambini e di animali domestici.
- Assicurarci che il dispositivo sia collegato direttamente alla presa di corrente.
- Non utilizzare adattatori, prese multiple o

prolunghe per collegare il dispositivo.

- Non usare mai l'apparecchio per scopi diversi da quelli per i quali è stato progettato.
- Le friggitrice devono essere costantemente sorvegliate durante l'uso: l'olio surriscaldato potrebbe incendiarsi.
- Non azionare l'apparecchio utilizzando un timer esterno o un sistema di telecomando separato.
- L'apparecchio non deve mai essere installato dietro uno sportello decorativo, per evitare che possa surriscaldarsi.
- Non stare in piedi sull'apparecchio, perché si potrebbe danneggiare.
- Non appoggiare pentole e padelle sul bordo, perché potrebbero danneggiarsi i giunti in silicone.

Installazione

Per la procedura di installazione è obbligatorio attenersi alle leggi, ordinanze, direttive e norme (regolamenti per la sicurezza degli impianti elettrici, il corretto riciclaggio dei componenti, ecc.) in vigore nel paese di utilizzo!


- Per maggiori informazioni sull'installazione, consultare le Istruzioni di montaggio.
- Non utilizzare un sigillante siliconico tra l'apparecchio e il piano di lavoro.
- Verificare che lo spazio sottostante il piano cottura sia sufficiente per la circolazione dell'aria. Fare riferimento alle Istruzioni di montaggio.
- Il fondo dell'apparecchio può diventare molto caldo. Se l'apparecchio è installato sopra cassette, assicurarsi di installare un pannello di separazione ignifugo sotto l'apparecchio per impedire l'accesso al fondo. Fare riferimento alle Istruzioni di montaggio.
- La ventilazione dell'apparecchio deve essere conforme alle istruzioni del produttore.
- Creare un'apertura anteriore di almeno 28 cm² nel blocco cucina che deve alloggiare il piano cottura per permettere una corretta aerazione del prodotto.

Requisiti del blocco cucina

- Se l'apparecchio è montato su materiali infiammabili, è necessario osservare rigorosamente le linee guida e i regolamenti relativi agli impianti in bassa tensione e le norme di prevenzione degli incendi.
- Per le unità da incasso, i componenti (in materiale plastico e legno impiallacciato) devono essere applicati con collanti termoresistenti (min. 85 °C): l'uso di materiali e collanti non idonei può causare deformazioni o distacchi dei componenti.
- È consentito l'uso di profili in legno massiccio attorno al piano di lavoro dietro l'apparecchio, a condizione che le distanze minime siano sempre conformi alle indicazioni fornite nei disegni di installazione.
- Se non c'è un forno sotto il piano cottura, installare un pannello di separazione sotto l'apparecchio come illustrato nelle Istruzioni di montaggio.

Aspetti ambientali

Smaltimento degli elettrodomestici

- Il simbolo  sul prodotto o sulla sua confezione indica che il prodotto non deve essere smaltito insieme ai normali rifiuti domestici. Il prodotto deve essere smaltito presso un centro specializzato nel riciclaggio di componenti elettrici ed elettronici. Assicurandosi che questo prodotto sia smaltito correttamente, contribuirà a prevenire potenziali conseguenze negative per l'ambiente e per la salute che potrebbero altrimenti derivare da uno smaltimento inadeguato. Per informazioni più dettagliate su come riciclare questo prodotto, rivolgersi alle autorità municipali, al locale servizio di smaltimento rifiuti oppure al negozio dove è stato acquistato il prodotto.

- Quando si riscalda l'acqua, utilizzare solo la quantità necessaria.
- Se possibile, coprire sempre le pentole con il coperchio.
- Prima di attivare la zona di cottura, sistemare la pentola.
- Sistemare le pentole più piccole sulle zone di cottura più piccole.
- Posizionare le pentole direttamente al centro della zona di cottura.
- Utilizzare il calore residuo per mantenere caldi gli alimenti o per scioglierli.

Smaltimento dei materiali d'imballaggio

I materiali con il simbolo  sono riciclabili. Smaltire i materiali d'imballaggio in appositi contenitori di raccolta per il riciclaggio.

Risparmio energetico

È possibile risparmiare quotidianamente energia durante la cottura, seguendo i suggerimenti che seguono.

Pulizia e manutenzione

- Non usare mai spugnette abrasive, lana di acciaio, acido cloridrico o altri prodotti che potrebbero graffiare o lasciare segni sulla superficie.
- Non consumare gli eventuali residui di cibo caduti o accumulati sulla superficie e sugli elementi funzionali o estetici del piano cottura.
- Spegnerlo o scollegare l'apparecchio dalla rete di alimentazione prima di qualunque operazione di pulizia o manutenzione.
- Pulire l'apparecchio dopo ogni utilizzo per evitare che eventuali residui di cibo si carbonizzino. È molto più difficile rimuovere le tracce di sporco indurite o bruciate.
- Per rimuovere lo sporco quotidiano, usare un panno morbido o una spugna con un detergente appropriato.

- Seguire le raccomandazioni del produttore in merito ai detersivi da utilizzare. Si raccomanda l'uso di detersivi neutri.
- Rimuovere le tracce di sporco indurite, ad esempio latte traboccato in fase di bollitura, usando un raschietto per superfici in vetroceramica quando il piano cottura è ancora caldo. Seguire le raccomandazioni del produttore in merito ai raschietti da utilizzare.
- Rimuovere i residui di cibo ricchi di zucchero, ad esempio schizzi di marmellata in cottura, usando un raschietto per superfici in vetroceramica quando il piano cottura è ancora caldo. Tali residui, se non rimossi, potrebbero danneggiare la superficie in vetroceramica.

- Rimuovere eventuali residui di plastica fusa usando un raschietto idoneo per superfici in vetroceramica quando il piano cottura è ancora caldo. Tali residui, se non rimossi, potrebbero danneggiare la superficie in vetroceramica.
- Rimuovere le macchie di calcare utilizzando una piccola quantità di soluzione anticalcare, per esempio aceto o succo di limone, una volta che il piano cottura si è raffreddato. Quindi pulire nuovamente con un panno umido.

- Non tagliare o preparare gli alimenti sulla superficie ed evitare che vi cadano sopra oggetti duri. Non trascinare pentole o stoviglie sulla superficie.
- Non utilizzare pulitori a vapore.

Produttore

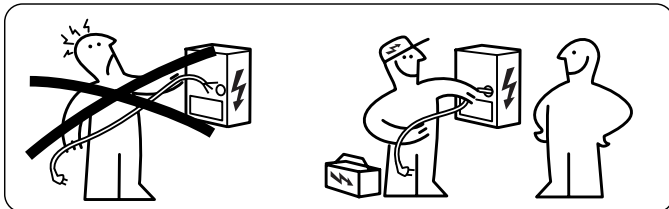
Ikea of Sweden AB - SE - 343 81 Älmhult, Svezia

Collegamento elettrico

AVVERTENZA: Tutti i collegamenti elettrici devono essere eseguiti da un installatore autorizzato.

- Prima di eseguire i collegamenti, verificare che la tensione nominale dell'apparecchio riportata sulla rispettiva targhetta dati corrisponda alla tensione dell'alimentazione di rete. La targhetta dati è applicata sul lato inferiore del piano cottura.
- Servirsi unicamente di componenti originali forniti dal servizio ricambi.
- L'apparecchio non è dotato di cavo di rete. Acquista quello giusto da un rivenditore specializzato.
- Se danneggiati, sostituire i cavi di alimentazione con i rispettivi cavi di ricambio originali. Contattare il call center del proprio negozio IKEA.

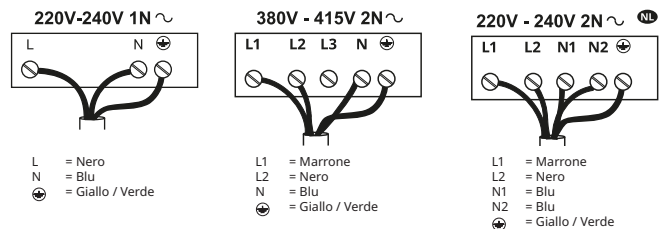
Attenzione! Non effettuare saldature sui cavi!



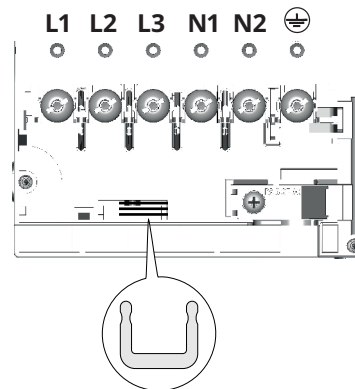
Collegamento elettrico

- Attenersi allo schema di allacciamento (collocato sul lato inferiore del prodotto).
- Questo apparecchio presenta un collegamento di tipo "Y" e richiede un cavo alimentazione H05V2V2-F. Il cavo necessita di manicotti terminali obbligatori. Secondo la normativa IEC utilizzare per il collegamento monofase: cavo alimentazione da 3 x 4 mm², per la connessione bifase: cavo alimentazione da 4 x 2,5 mm² e per una connessione in Olanda: cavo alimentazione da 5 x 2,5 mm². Diametro esterno del cavo alimentazione: min 8 mm - max 12 mm. Si prega di rispettare le normative nazionali specifiche.
- I morsetti di collegamento sono accessibili rimuovendo la copertura della scatola di giunzione.
- Verificare che le caratteristiche dell'impianto elettrico domestico (tensione, potenza massima e corrente) siano compatibili con quelle dell'apparecchio.
- Collegare l'apparecchio come mostrato nello schema (in conformità alle norme di riferimento per la tensione di rete vigenti a livello nazionale).

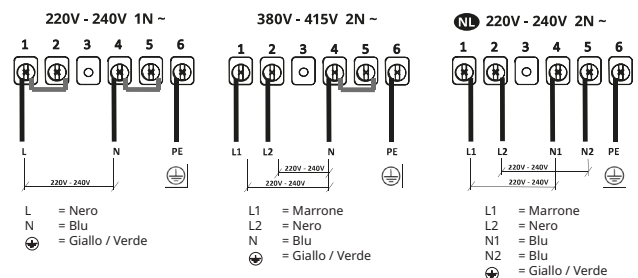
Schema di collegamento lato casa



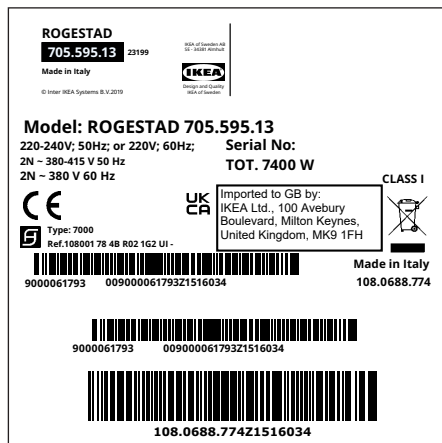
Schema di collegamento lato prodotto



Inserire derivatori di corrente tra i morsetti come illustrato



Targhetta dati



L'immagine riportata sopra raffigura la targhetta dati dell'apparecchio.

Il numero di serie è specifico per ogni prodotto.

Gentile Cliente, La preghiamo di conservare la targhetta dati aggiuntiva applicata sulla copertina del Libretto di sicurezza fornito all'interno del prodotto.

In tal modo potremo assisterla meglio identificando con precisione il piano cottura da Lei acquistato, nel caso in cui necessiti in futuro della nostra assistenza.

La ringraziamo per la collaborazione!

GARANZIA IKEA

Per quanto è valida la garanzia IKEA?

Questa garanzia è valida per cinque (5) anni dalla data originale di acquisto dell'apparecchio presso IKEA. Lo scontrino originale è indispensabile come ricevuta d'acquisto. Una riparazione effettuata nell'ambito della garanzia non estende il periodo di garanzia per l'apparecchio.

Chi fornisce l'assistenza?

L'assistenza ai clienti sarà garantita dal fornitore del servizio nominato da IKEA attraverso la propria organizzazione o la propria rete di partner di assistenza autorizzati.

Cosa copre la garanzia?

La garanzia copre gli eventuali difetti legati ai materiali e o alla costruzione dell'elettrodomestico ed è valida a partire dalla data di acquisto dell'elettrodomestico presso un punto vendita IKEA. La garanzia è valida solo su elettrodomestici destinati all'impiego domestico. Le eccezioni sono descritte alla voce "Cosa non copre la garanzia". Nel periodo di validità della garanzia, i costi di riparazione (pezzi di ricambio, manodopera e trasferte del personale tecnico) saranno sostenuti dal servizio assistenza, a patto che l'accesso all'apparecchio per l'intervento di riparazione non comporti spese particolari. Queste condizioni sono conformi alle direttive UE (N. 99/44/CE) e alle norme e disposizioni locali applicabili. Le parti sostituite diventeranno di proprietà di IKEA.

Come interverrà IKEA per risolvere il problema?

Il fornitore del servizio assistenza incaricato da IKEA esaminerà il prodotto e deciderà, a propria esclusiva discrezione, se lo stesso rientra nella copertura di garanzia. In caso affermativo, il fornitore del servizio assistenza IKEA o il suo partner di assistenza autorizzato, tramite i propri centri di assistenza, provvederà a propria esclusiva discrezione a riparare il prodotto difettoso o a sostituirlo con un prodotto uguale o di pari valore.

Cosa non copre la garanzia?

- Normale usura.
- Danni provocati deliberatamente o dovuti a negligenza, danni causati dalla mancata osservanza delle istruzioni di funzionamento, da un'installazione non corretta o da collegamento a un voltaggio errato, danni provocati da reazioni chimiche o elettrochimiche, ruggine, corrosione o danni causati da acqua, inclusi a titolo non limitativo i danni causati dalla presenza di eccessivo calcare nelle condutture idriche, e danni causati da eventi atmosferici e naturali.
- Parti soggette ad usura, per esempio batterie e lampadine.
- Parti decorative e non funzionali che non influiscono sul normale utilizzo dell'elettrodomestico, compresi graffi e variazioni di colore.
- Danni accidentali provocati da sostanze o corpi estranei e pulizia o liberazione dei filtri, sistemi di scarico o cassette del detersivo.
- Danni a parti come vetroceramica, accessori, cesti per stoviglie e posate, tubi di alimentazione e scarico, guarnizioni, lampadine e relative coperture, schermi, pomelli, rivestimenti e parti di rivestimenti, salvo qualora si possa dimostrare che tali danni siano stati causati da difetti di produzione.
- Casi in cui non siano rilevati difetti durante la visita di un tecnico.
- Riparazioni non effettuate dal fornitore del servizio nominato da IKEA o da un partner di assistenza autorizzato o riparazioni in cui siano state utilizzate parti non originali.
- Riparazioni causate da installazione impropria o non conforme alle specifiche.
- Uso dell'elettrodomestico in ambiente non domestico, per esempio per uso professionale.
- Danni dovuti al trasporto. In caso di trasporto effettuato dal cliente presso la propria abitazione o un altro recapito, IKEA non potrà ritenersi responsabile per eventuali danni verificatisi durante il trasporto. Tuttavia, se il trasporto presso il recapito

del cliente è effettuato da IKEA, gli eventuali danni dovuti al trasporto rientreranno nella presente garanzia.

- Costo di installazione iniziale dell'apparecchio IKEA. Tuttavia, se un fornitore di servizio nominato da IKEA o un suo partner di assistenza autorizzato effettua una riparazione o sostituzione dell'apparecchiatura nell'ambito della garanzia, il fornitore o il partner di assistenza autorizzato dovrà provvedere anche alla reinstallazione dell'apparecchiatura riparata o all'installazione dell'apparecchiatura sostitutiva, ove necessario.

Tali limitazioni non si applicano a lavori eseguiti a regola d'arte da personale qualificato e con l'uso di parti originali per adattare l'apparecchio alle norme di sicurezza di un'altra nazione dell'UE.

Applicabilità delle leggi nazionali

La garanzia IKEA conferisce al cliente diritti legali specifici in aggiunta ai diritti previsti dalla legge e variabili a seconda dei paesi. Tuttavia, tali condizioni non limitano in alcun modo i diritti del consumatore descritti nella legislazione locale.

Area di validità

Per gli elettrodomestici acquistati in una nazione UE e trasferiti in un'altra nazione UE, i servizi saranno forniti in base alle condizioni di garanzia applicabili nella nuova nazione. L'obbligo di fornire il servizio in base alle condizioni della garanzia sussiste solo se l'apparecchio è conforme e installato conformemente alle:

- specifiche tecniche del paese in cui è richiesta l'applicazione della garanzia;
- informazioni per la sicurezza contenute nel Manuale d'uso.

Servizio Assistenza post-vendita dedicato agli elettrodomestici IKEA:

Non esitate a contattare il Servizio Assistenza post-vendita IKEA per:

1. chiedere assistenza usufruendo della garanzia;
2. chiedere chiarimenti sull'installazione degli elettrodomestici IKEA nei mobili da cucina specifici di IKEA. Il servizio non fornirà assistenza o chiarimenti in merito a:
 - installazione di cucine complete IKEA;
 - collegamenti elettrici (se l'apparecchio è fornito senza cavi e spine), allacciamenti idraulici e collegamenti all'impianto del gas che devono essere eseguiti da un tecnico di assistenza autorizzato.
3. chiedere chiarimenti sul contenuto del manuale d'uso e sulle specifiche dell'elettrodomestico IKEA.

Per garantirvi la migliore assistenza, Vi preghiamo di leggere attentamente le Istruzioni di montaggio e/o il Manuale d'uso prima di contattarci.

Come contattarci se avete bisogno del nostro intervento



Consultare l'elenco completo dei fornitori di servizio IKEA e dei relativi numeri di telefono nazionali nell'ultima pagina del presente manuale.

Importante! Per garantire un servizio più rapido, raccomandiamo di utilizzare i numeri di telefono elencati alla fine del presente manuale. Per richiedere assistenza, fate sempre riferimento ai codici specifici dell'apparecchio che trovate nel presente manuale. Prima di contattarci, assicuratevi di avere a portata di mano il


codice prodotto IKEA (8 cifre) relativo all'elettrodomestico per il quale richiedete assistenza.

Importante! CONSERVATE LO SCONTRINO! È la Vostra prova di acquisto ed è necessario esibirlo per poter usufruire della garanzia. Sullo scontrino sono riportati anche il nome e il codice (a 8 cifre) di ciascun elettrodomestico IKEA che avete acquistato.


Vi serve altro aiuto?

Per ulteriori domande non inerenti il servizio assistenza sulle apparecchiature, contattare il più vicino punto vendita IKEA. Vi preghiamo di leggere attentamente la documentazione dell'apparecchiatura prima di contattarci.

Oplysninger om sikkerhed

 For din sikkerhed og for at sikre korrekt funktion af apparatet anbefaler vi, at du læser denne brugsanvisning omhyggeligt inden installation og brug af apparatet. Opbevar omhyggeligt denne brugsanvisning sammen med apparatet, så den kan overdrages til en eventuel ny ejer. Det er vigtigt, at brugerne er bekendt med alle apparatets funktions- og sikkerhedskarakteristika.

Disse kogeplader har induktionssystemer, der opfylder kravene i EMC- og EMF-direktiverne og bør ikke forstyrre andre elektroniske enheder. Personer med pacemaker eller anden implanteret elektronisk enhed skal rådføre sig med deres læge eller producenten af den implanterede enhed for at vurdere, om enheden er tilstrækkelig modstandsdygtig over for forstyrrelser.


 De elektriske tilslutninger skal udføres af specialuddannet personale. Inden den elektriske tilslutning foretages, skal du læse afsnittet ELEKTRISK TILSLUTNING.

For apparater med strømforsyningskabel skal klemmerne eller tværsnittene af ledningerne mellem forankringspunktet på kablet og klemmerne installeres på en sådan måde, at den strømførende ledning under spænding opstrøms jordkablet kan trækkes ud, hvis den kommer ud af forankringspunktet.


- Producenten kan ikke gøres ansvarlig for eventuelle skader, som skyldes forkert installation eller brug.
- Kontrollér, at strømforsyningen svarer til den, der er angivet på typeskiltet fastgjort inde i produktet.
- Det er nødvendigt at installere hovedafbrydere i det faste elanlæg i henhold til forskrifterne om kabelsystemer.
- For apparater i klasse I: Kontrollér, at

husstandens strømforsyning har en passende jordforbindelse.


- Tilslut produktet til elnettet med en omnipolær afbryder.
- Hvis forsyningskablet er beskadiget, skal det udskiftes af producenten, et autoriseret servicecenter eller af en specialiseret tekniker for at undgå risici eller faresituationer.

 **ADVARSEL:** Beskyttelsesfilmen skal fjernes, inden apparatet installeres.

- Brug kun de skruer og monteringsdele, der følger med apparatet.

 **ADVARSEL:** Manglende installation af skruerne eller beslagene som beskrevet i disse instruktioner kan medføre risiko for elektrisk stød.

- Rengøring og vedligeholdelse må ikke udføres af børn, medmindre de er under opsyn af en voksen.
- Børn skal være under opsyn for at sikre, at de ikke leger med apparatet.
- Dette apparat må ikke bruges af personer (herunder børn) med begrænsede fysiske, sensoriske eller mentale evner eller uden den nødvendige viden og erfaring, medmindre de nøje overvåges og instrueres om sikker brug af apparatet af en person, der er ansvarlig for deres sikkerhed.
- Dette apparat må ikke anvendes af børn under 8 år, af personer med psykiske, fysiske og sansemæssige handicaps eller af personer med manglende erfaring eller kendskab, medmindre de overvåges og instrueres vedrørende sikker brug af apparatet og de farer, der er forbundet hermed. Lad ikke børn lege med apparatet.

 **ADVARSEL:** Apparatet og dets tilgængelige dele bliver meget varme under brug.

Pas på ikke at røre ved modstandene.

Hold børn under 8 år væk, medmindre der konstant holdes øje med dem.

ADVARSEL: Hvis overfladen er revnet, skal apparatet slukkes for at undgå risikoen for elektrisk stød.

- Tænd ikke for apparatet, hvis overfladen er revnet, eller hvis der er synlige skader i tykkelsen af materialet.
- Rør ikke ved apparatet med våde hænder eller kropsdele.
- Brug ikke dampapparater til at rengøre produktet.
- Læg ikke metalgenstande som knive, gafler, skeer og låg på overfladen af kogepladen, da de kan overophedes.
- Brug den relevante betjening til at slukke kogepladen efter brug. Stol ikke kun på grydernes sensorer.

ADVARSEL: Det er farligt at efterlade kogepladen uden opsyn, når man bruger olie eller fedt, da dette kan skabe en farlig situation og forårsage brand. Forsøg ALDRIG at slukke flammer med vand, men sluk for apparatet og dæk den åbne ild til med f.eks. et låg eller et brandtæppe.

GIV AGT: Tilberedningsprocessen skal overvåges. En kort tilberedningsproces skal konstant overvåges.

- Apparatet er ikke beregnet til at blive startet med en ekstern timer eller af et separat fjernbetjent system.

ADVARSEL: Brandfare: Læg aldrig genstande på kogezoneerne.

- Apparatet skal installeres, så det er muligt at afbryde forbindelsen fra strømforsyningen med en åbning mellem kontakterne (3 mm), hvilket sikrer fuldstændig frakobling i tilfælde af overbelastning af kategori III.
- Apparatet må aldrig udsættes for atmosfæriske faktorer (regn, sol).
- Opbevar emballagen utilgængeligt for børn og kæledyr.

- Sørg for, at enheden er tilsluttet direkte til stikkontakten.
- Brug ikke adaptere, flerstik eller forlængerledninger til at tilslutte enheden.
- Brug aldrig apparatet til andre formål end dem, det er beregnet til.
- Hold hele tiden øje med friturestegere, mens de er i brug: Der er fare for, at der går ild i den hede olie.
- Tænd ikke for apparatet med en ekstern timer eller et separat fjernbetjent system.
- Apparatet må aldrig installeres bag en dekorativ dør for at undgå, at det overophedes.
- Stå ikke op på apparatet, da det kan blive beskadiget.
- Anbring ikke gryder og pander på kanten, da silikonefugerne kan blive beskadiget.

Installation

For installationsproceduren er det obligatorisk at overholde de love, forordninger, direktiver og standarder (regler for sikkerhed for elektriske systemer, korrekt genbrug af komponenter osv.), der er gældende i det land, hvor apparatet bruges!


- For yderligere oplysninger vedr. installation henvises der til monteringsanvisningerne.
- Brug ikke silikone mellem apparatet og arbejdsoverfladen.
- Kontrollér, at der er tilstrækkeligt plads til luftrecirkulation under kogepladen. Se monteringsanvisningerne.
- Apparatets bund kan blive meget varm. Hvis apparatet er installeret over skuffer, skal du sørge for at installere et ildfast skillepanel under apparatet, så der ikke er adgang til bunden. Se monteringsanvisningerne.
- Ventilationen af apparatet skal overholde producentens anvisninger.
- Lav en åbning foran på mindst 28 cm² i køkkenblokken, som skal rumme kogepladen for at muliggøre korrekt ventilation af produktet.

Krav for køkkenblokken

- Hvis apparatet monteres på antændelige materialer, er det nødvendigt at overholde retningslinjerne og forskrifterne for lavspændingsinstallationer og brandforebyggelsesreglerne nøje.
- For indbygningsenheder skal komponenterne (plastmateriale og træfinér) påføres med varmebestandige klæbemidler (min. 85°C). Brug af uegnet materiale og uegnede klæbemidler kan forårsage deformation og afklæbning af komponenterne.
- Brug af profiler af massivt træ omkring bordpladen bag apparatet er tilladt, forudsat at minimumsafstandene altid er i overensstemmelse med de angivelser, der er anført på installationstegningerne.
- Hvis der ikke er nogen ovn under komfuret, skal du installere et skillepanel under apparatet som vist i monteringsanvisningerne.

Miljømæssige aspekter

Bortskaffelse af husholdningsapparater

- Symbolet  på produktet eller emballagen angiver, at produktet ikke må bortskaffes med det almindelige husholdningsaffald. Produktet skal bortskaffes på et center, der er specialiseret i genanvendelse af elektriske og elektroniske komponenter. Ved at sørge for, at dette apparat bortskaffes korrekt, bidrager du til at forebygge alvorlige følger for miljøet og menneskers helbred, som kan derimod opstå, hvis apparatet bortskaffes forkert. For yderligere oplysninger om, hvordan man genanvender dette produkt, skal du kontakte de kommunale myndigheder, den lokale affaldsafviklingstjeneste eller den butik, hvor produktet er købt.

Bortskaffelse af emballagematerialer

Materialerne med symbolet  er genanvendelige. Bortskaf emballagematerialerne i beholdere til genbrugsmaterialer.

Energibesparelse

Du kan spare på energien dagligt under madlavning ved at følge nedenstående tip.

- Brug kun den nødvendige mængde, når du koger vand.
- Brug altid låg til gryderne.
- Sæt gryden på kogezone, før du tænder for kogezone.
- Stil de mindre gryder på de mindre kogezone.
- Stil gryderne i midten af kogezone.
- Brug restvarme for at holde maden varm eller smelte den.

Rengøring og vedligeholdelse

- Brug aldrig skuresvampe, ståluld, saltsyre eller andre produkter, der kan ridse eller efterlade mærker på overfladen.
- Brug eller spis ikke madrester, der er faldet eller akkumuleret på overfladen og på de funktionelle eller æstetiske elementer i kogepladen.
- Sluk apparatet eller kobl det fra elforsyningsnettet inden enhver form for rengøring eller vedligeholdelse.
- Gør apparatet rent efter hver brug for at forhindre, at eventuelle madrester forkulles. Det er meget vanskeligere at fjerne spor af hærdet eller forbrændt snavs.
- Brug en blød klud eller svamp med et passende rengøringsmiddel til at fjerne dagligt snavs. Følg

producentens anbefalinger vedrørende de rengøringsmidler, der skal bruges. Brug af neutrale vaskemidler anbefales.

- Fjern spor af hærdet snavs, såsom mælk, der er løbet over, med en skraber til glaskeramik, når kogepladen stadig er varm. Følg producentens anbefalinger vedrørende de skraber, der skal bruges.
- Fjern eventuelle rester af sukkerholdig mad, f.eks. marmelade, der er sprøjtet ud under madlavning, med en skraber, der er egnet til glaskeramik, mens kogepladen stadig er varm. Ikke fjernede madrester kan beskadige den glaskeramiske overflade.
- Fjern eventuelle rester af smeltet plastik med en skraber, der er egnet til glaskeramik, mens kogepladen stadig er varm.

Ikke fjernede madrester kan beskadige den glaskeramiske overflade.

- Fjern kalkpletter med en lille mængde afkalkningsmiddel, f.eks. eddike eller citronsaft, når kogepladen er kold. Tør efter med en fugtig klud.

- Skær eller tilbered ikke mad på overfladen, og undgå at tabe hårde genstande den på den. Træk ikke gryder eller tallerkener hen over overfladen.
- Brug ikke damprensere.

Producent

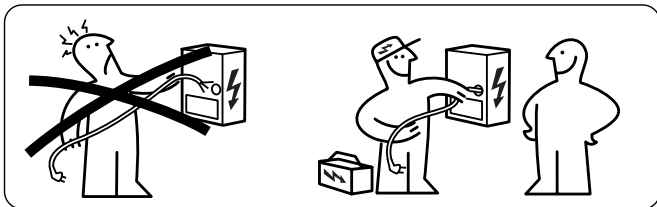
Ikea of Sweden AB - SE - 343 81 Älmhult, Sverige

Elektrisk tilslutning

⚠ ADVARSEL: Alle elektriske tilslutninger skal udføres af en autoriseret installatør.

- Inden der udføres tilslutninger, skal man kontrollere, at apparatets nominelle spænding, som vist på typeskiltet, svarer til netspændingsforsyningen. Typeskiltet sidder på nederste side af kogepladen.
- Brug kun originale dele fra reservedelsservicen.
- Apparatet er ikke udstyret med netkabel. Køb det rette kabel hos en specialiseret forhandler.
- Hvis kablerne er beskadiget, skal de udskiftes med originale kabler. Kontakt din lokale IKEA's call center.

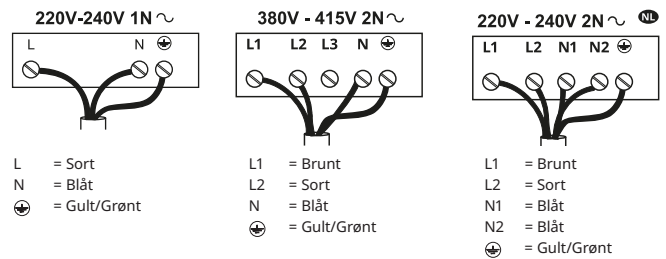
⚠ OBS! Svejs ikke på kablerne!



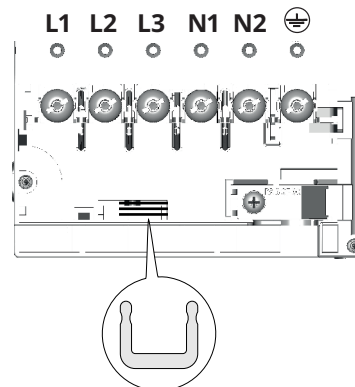
Elektrisk tilslutning

- Følg tilslutningsskemaet (placeret på undersiden af produktet).
- Dette apparat har en tilslutning af typen "Y", der kræver et H05VV-F-strømkabel. Kablet skal have de obligatoriske terminalmuffer. I henhold til IEC-standarden skal man til den enfasede tilslutning bruge: strømkabel på 3 x 4 mm², til den tofasede tilslutning: strømkabel på 4 x 2,5 mm² og til tilslutning i Kolland: strømkabel på 5 x 2,5 mm². Elkablets yvendige diameter: min 8 mm - max 12 mm. Overhold de specifikke nationale bestemmelser.
- Forbindelsesklemmerne kan nås ved at fjerne koblingsboksens dæksel.
- Kontrollér, at boligens el-anlæg (spænding, maksimal effekt og strøm) er kompatibelt med apparatets egenskaber.
- Tilslut apparatet som vist på diagrammet (i overensstemmelse med de nationale, gældende referencestandarder for netspænding).

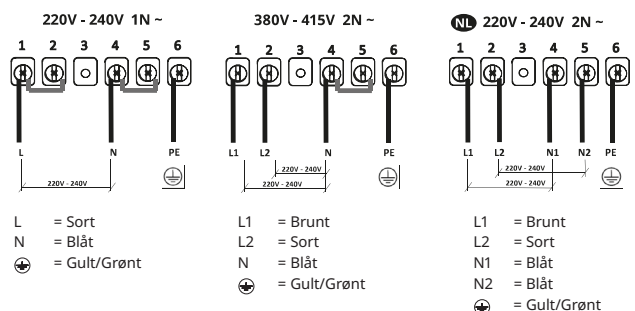
Tilslutningsskema for hjemmet



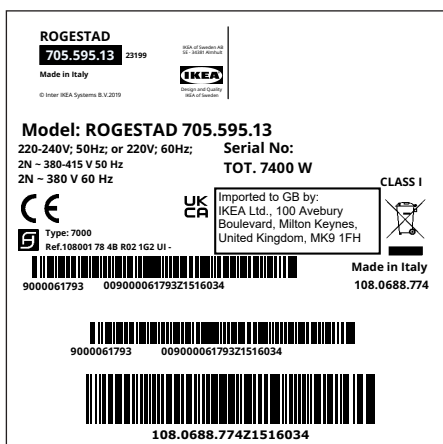
Tilslutningsskema for produktet



Sæt strømforgrenerne  ind mellem klemmerne som vist



Typeskilt



Billedet ovenfor viser apparatets typeskilt. Serienummeret er specifikt for hvert produkt. Kære kunde, opbevar venligst det ekstra typeskilt, der er påført på omslaget til sikkerhedshæftet, der følger med produktet.

På denne måde vil vi være i stand til bedre at hjælpe dig ved nøjagtigt at identificere kogepladen, du har købt, hvis du skulle have brug for vores hjælp i fremtiden. Tak for dit samarbejde!

IKEA GARANTI

Hvor længe gælder IKEA garantien?

Denne garanti er gyldig i fem (5) år fra datoen for køb af apparatet ved IKEA. Den originale kvittering er påkrævet som bevis for købet. Hvis der udføres servicearbejde under garantien, vil det ikke forlænge garantiperioden for apparatet.

Hvem står for servicen?

IKEAs serviceleverandør står for servicen gennem sit eget netværk eller et netværk af autoriserede servicecentre.

Hvad er dækket af garantien?

Garantien dækker fejl på husholdningsapparatet, der skyldes materiale- eller produktionsfejl, fra datoen for købet hos IKEA. Denne garanti gælder kun i forbindelse med husholdningsbrug. Undtagelserne er specificeret under overskriften "Hvad er ikke dækket af garantien?" I garantiperioden afholdes reparationsomkostningerne (reservedele, arbejdskraft og overførsel af teknisk personale) af den tekniske assistance under den forudsætning, at reparationen ikke medfører særlige omkostninger. Disse betingelser er i overensstemmelse med EU-direktiver (99/44/EF) og de respektive lokale bestemmelser gældende. Udskiftede dele tilfalder IKEA.

Hvad gør IKEA for at afhjælpe problemet?

IKEAs serviceleverandør vil undersøge apparatet og efter eget skøn træffe afgørelse om, hvorvidt problemet er dækket af denne garanti eller ej. Hvis apparatet er dækket, vil IKEAs serviceleverandør eller en autoriseret servicepartner, gennem deres egne servicecentre, efter eget skøn enten reparere det fejlbehæftede apparat eller udskifte det med et lignende eller tilsvarende apparat.

Hvad er ikke dækket af garantien?

- Normalt slid.
- Forsætlig eller uagtsom skade, skade forårsaget af manglende overholdelse af brugsanvisningen, ukorrekt installation eller tilslutning til forkert spænding, skade forårsaget af en kemisk

eller elektrokemisk reaktion, rust, korrosion eller vandskade, herunder men ikke begrænset til skade grundet for meget kalk i vandforsyningen, samt skade forårsaget af unormale miljøforhold.

- Forbrugsstoffer herunder batterier og pærer.
- Dekorative og ikke-funktionelle dele, der ikke påvirker normal brug af apparatet, herunder ridser og farveændringer.
- Tilfældige skader forårsaget af fremmedlegemer eller stoffer samt rengøring eller fjernelse af tilstopninger i filtre, udløbssystemer eller sæbeskuffer.
- Skade på følgende dele: glaskeramik, tilbehør, kurve til kogegrej og bestik, tilløbs- og udløbsrør, pakninger, pærer og lampedæksler, skærme, knapper, beklædninger og dele af beklædninger, medmindre det kan bevises, at disse skader skyldes produktionsfejl.
- I tilfælde hvor der ikke findes nogen fejl under et teknikerbesøg.
- Reparationer, der ikke udføres af IKEAs serviceleverandør og/eller et autoriseret servicecenter, eller hvor der er anvendt uoriginale reservedele.
- Reparationer på grund af fejlagtig installation, eller hvor specifikationerne ikke er overholdt.
- Brug af husholdningsapparatet i andre miljøer en husholdning, f.eks. til erhvervsbrug.
- Transportskader. Hvis en kunde selv transporterer apparatet til sit hjem eller til en anden adresse, er IKEA ikke ansvarlig for nogen skade, der måtte opstå under transporten. Hvis IKEA derimod leverer apparatet til kundens leveringsadresse, vil skader, der opstår under transporten, blive dækket af denne garanti.
- Omkostninger for at udføre installation af IKEA-apparatet. Hvis en tjenesteudbyder udpeget af IKEA eller dennes autoriserede servicepartner udfører reparation eller udskiftning af apparatet i forbindelse med garantien, skal leverandøren eller den autoriserede servicepartner også sørge for geninstallation af det reparerede udstyr eller det udskiftede apparat, hvor relevant.

Disse begrænsninger gælder ikke for fejlfrit arbejde udført af en autoriseret specialist og under anvendelse af originale reservedele med det formål at tilpasse apparatet til tekniske sikkerhedsbestemmelser i et andet EU-land.

Gældende national lovgivning

IKEA garantien giver kunden specifikke lovmæssige rettigheder, som dækker eller overstiger alle lokale juridiske krav, der kan være forskellige fra land til land. Disse betingelser begrænser på ingen måde forbrugers rettigheder i medfør af gældende national lov.

Gyldighedsområde

For husholdningsapparater købt i et EU-land og medbragt til et andet EU-land vil serviceydelse blive leveret i henhold til de garantibetingelser, der er gældende i det nye land. Forpligtelsen til at levere tjenesten under garantibetingelserne eksisterer kun, hvis apparatet opfylder og installeres i overensstemmelse med:

- tekniske specifikationer i landet, hvor garantikravet fremsættes;
- sikkerhedsanvisningerne indholdt i denne brugsanvisning.

SERVICEAFDELING for IKEA husholdningsapparater:

Tøv ikke med at kontakte IKEAs serviceafdeling for at:

1. anmode om service under garantiperioden;
2. anmode om flere oplysninger om installation af IKEA-apparater i specifikke IKEA-køkkenskabe. Serviceafdelingen yder ikke service eller giver supplerende oplysninger om:
 - installation af komplette IKEA køkkener;
 - elektriske tilslutninger (hvis apparatet leveres uden kabler og stik), vand- og gastilslutninger, som skal udføres af en autoriseret servicetekniker.
3. Anmode om yderligere forklaringer af indholdet i brugsanvisningen og specifikationer på IKEA-apparatet.

For at sikre, at vi yder dig den bedste service, bedes du venligst læse monteringsanvisningerne og/eller brugsanvisningen omhyggeligt igennem, inden du kontakter os.

Hvordan kontakter du os i tilfælde af servicebehov?



Se den komplette liste over IKEAs leverandører og deres nationale telefonnumre på den sidste side i denne brugsanvisning.


Vigtigt! For at give dig en hurtigere service, anbefaler vi, at du bruger et af de specifikke telefonnumre i denne vejledning. Se de specifikke koder for enhederne, som er anført i denne brugsanvisning, og som er nødvendige for at anmode om teknisk assistance. Ligeledes skal du referere til IKEA produktnummeret (8 cifret kode) til det husholdningsapparat, der er behov for service til.

Vigtigt! GEM DIN KVITTERING! Den er dit bevis på købet, og er nødvendig for garantiens gyldighed. Kvitteringen viser også navnet og koden (8 cifre) på ethvert husholdningsapparat, som du har købt hos IKEA.


Har du brug for ekstra hjælp?

For øvrige spørgsmål, der ikke vedrører service på dit apparat, henviser vi til IKEA butikkens kundeservice. Du bedes læse apparatets brugsanvisning og dokumentation omhyggeligt igennem, før du kontakter os.

Informasjon om sikkerheten

 For din egen sikkerhet og en riktig funksjon av apparatet, må du lese denne veiledningen nøye før apparatet installeres og tas i bruk. Bruksanvisningen skal følge med apparatet, også hvis det overdras til tredjeperson. Det er viktig at brukerne kjenner til alle apparatets drifts- og sikkerhetsegenskaper.


Induksjonssystemene i disse platetoppene oppfyller kravene i EMC- og EMF-direktivet, og bør ikke forstyrre andre elektroniske enheter. Personer med pacemaker eller andre implanterte elektroniske enheter, må kontakte fastlegen eller produsenten av den implanterte enheten, for å vurdere i hvor stor grad enheten er mottakelig for forstyrrelser.

 Strømtilkoblingene må utføres av en kvalifisert tekniker. Les avsnittet STRØMTILKOBLING før strømtilkoblingen utføres.


For apparater utstyrt med strømkabel, må klemmene eller ledernes tverrsnitt mellom kabelforankringen og klemmene, være plassert slik at strømleneren før jordlederen kan trekkes ut dersom kablet stikker frem fra forankringen.

- Produsenten er ikke ansvarlig for eventuelle skader som skyldes feil installasjon eller bruk.
- Kontroller at strømforsyningen stemmer med den som er oppgitt på typeskiltet på innsiden av produktet.
- Det er nødvendig å installere hovedbrytere i det faste elektriske systemet i samsvar med forskriftene om kabelsystemer.
- For apparater i klasse I må du kontrollere at hjemmets strømnett har en egnet jording.
- Koble produktet til strømmen med en allpolet bryter.
- Hvis strømkablet er ødelagt, må den skiftes ut av produsenten, et autorisert


servicesenter eller en kvalifisert tekniker for å unngå enhver risiko og farlig situasjon.

 **ADVARSEL:** Fjern beskyttelsesfilmene før apparatet installeres.

- Bruk kun skruer, mutrer, osv. som følger med apparatet.

 **ADVARSEL:** Manglende installasjon av skruer eller beslag som beskrevet i disse instruksjonene kan medføre risiko for elsjokk.

- Rengjøring og vedlikehold må ikke utføres av barn med mindre de er under tilsyn.
- Barn må holdes under oppsyn slik at de ikke leker med apparatet.
- Dette apparatet skal ikke brukes av personer (inkl. barn) med nedsatte fysiske, sanselige eller mentale evner, uten erfaring eller kjennskap til apparatet, hvis de ikke er under tilsyn eller opplæring av en person ansvarlig for deres sikkerhet.
- Barn (over 8 år) eller personer med nedsatte fysiske, sensoriske eller psykiske evner, eller personer uten erfaring og kunnskap må kun bruke apparatet dersom de får tilsyn eller opplæring i en sikker bruk av apparatet og farene knyttet til bruken. Ikke la barn leke med apparatet.

 **ADVARSEL:** Apparatet og de tilgjengelige delene blir veldig varme under bruk.

Ikke ta på varmeelementene.

Barn under 8 år må holdes unna hvis de ikke er under tilsyn.

ADVARSEL: Hvis det finnes sprekker i overflaten, slå av apparatet for å unngå risikoen for el-sjokk.

- Ikke bruk apparatet hvis overflaten er sprukket, eller det finnes synlige skader i materialets tykkelse.
- Ikke ta på apparatet med våte hender.
- Ikke bruk dampapparater til rengjøringen av apparatet.

- Metallgjenstander som kniver, gafler, skjere og lokk må ikke legges på platetoppen, fordi de kan overopphetes.
- Slå av platetoppen med den bestemte kontrollen etter bruk, og ikke stol på grytesensoren.

ADVARSEL: Det er farlig å gå fra platetoppen uten tilsyn ved bruk av olje eller fett, fordi det kan oppstå en farlig situasjon og utvikle brann. ALDRI prøv å slukke flammene med vann. Slå av apparatet og dekk flammene f.eks. med et lokk eller et brannteppe.

OBS!: Tilberedningsprosessen må foregå under tilsyn. En kortvarig tilberedningsprosess krever et kontinuerlig tilsyn.

- Apparatet kan ikke startes med et eksternt tidsur eller et separat fjernkontrollsystem.

ADVARSEL: Brannfare: Ikke legg gjenstander på kokeoverflatene.

- Apparatet må installeres slik at det kan kobles fra strømmen med en kontaktåpning (3 mm) som garanterer en fullstendig frakobling ved forholdene i overspenningskategori III.
- Apparatet må aldri utsettes for vær og vind (regn, sol).
- Hold emballasjen utenfor rekkevidden til barn og husdyr.
- Pass på at apparatet er koblet direkte til stikkontakten.
- Ikke bruk adaptere, multistikkontakter eller skjøteledninger for å koble til apparatet.
- Apparatet må aldri brukes til annet enn tiltenkt formål.
- Vær alltid veldig oppmerksom ved frityrsteking, fordi den varme oljen kan ta fyr.
- Apparatet kan ikke startes med et eksternt tidsur eller et separat

fjernkontrollsystem.

- Apparatet må aldri installeres bak en pyntedør for å unngå overoppheting.
- Ikke stå på apparatet, fordi det kan skades.
- Ikke sett gryter eller stekepanner på kanten, fordi silikonfugene kan ødelegges.

Installasjon

Ved installasjon er det påbudt å følge landets gjeldende lover, forordninger, direktiver og standarder (sikkerhetsforskrifter for elektriske systemer, riktig materialgjenvinning, osv.)!


- Se Monteringsinstruksjonene for mer informasjon om installasjonen.
- Ikke bruk silikonforsegling mellom apparatet og kjøkkenbenken.
- Kontroller at det er nok plass for ventilasjonen under platetoppen. Se Monteringsinstruksjonene.
- Bunnen av apparatet kan bli veldig varm. Hvis apparatet er installert over skuffer, må du passe på å installere en brannhemmende skilleplate under apparatet for å hindre tilgang til bunnen. Se Monteringsinstruksjonene.
- Ventilasjonen av apparatet må være i samsvar med produsentens instruksjoner.
- Lag en åpning fremme i kjøkkenblokken på minst 28 cm² for å tillate en riktig ventilasjon av produktet.

Krav til kjøkkenblokken

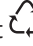
- Hvis apparatet monteres på brennbare materialer, må retningslinjene og forskriftene for lavspenningsinstallasjoner og brannvern følges nøye.
- For innbyggingsenhetene må delene (plastmaterialer og trefinér) monteres med varmebestandig klebestoff (min. 85 °C). Bruk av uegnet materiale og klebestoff kan føre til at delene deformeres eller løsner.
- Bruk av lister i massivt tre rundt kjøkkenbenken og bak apparatet, er kun tillatt ved overholdelse av minsteavstandene angitt på installasjonstegningene.
- Hvis det er montert en stekeovn under platetoppen, må det installeres en brannhemmende skilleplate som vist i Monteringsinstruksjonene.

Miljø

Sluttbehandling av husholdningsapparater

- Symbolet  på apparatet eller emballasjen angir at apparatet ikke skal kastes sammen med husholdningsavfallet. Apparatet må sluttbehandles ved et innsamlingsanlegg for materialgjenvinning av elektriske og elektroniske deler. En riktig sluttbehandling av produktet bidrar til å redusere eventuelle negative miljø- og helsevirkninger som ellers kan oppstå ved en feil sluttbehandling. For mer informasjon om materialgjenvinning av dette apparatet, kontakt kommunen, renovasjonsselskapet eller forhandleren hvor apparatet ble kjøpt.

Sluttbehandling av emballasjematerialene

Materialene med symbolet  er gjenvinnbare. Kast emballasjematerialene i riktig avfallsbeholder for materialgjenvinning.

Energisparing

Ved å følge rådene nedenfor er det mulig å spare energi i den daglige matlagingen.

- Bruk kun nødvendig vannmengde.
- Legg helst alltid et passende lokk på grytene.
- Sett gryten på kokesonen før du slår på kokesonen.
- Bruk de minste grytene på de minste kokesonene.
- Sett gryten midt på kokesonen
- Bruk restvaren for å holde mat varm, eller til smelting.

Rengjøring og vedlikehold

- Aldri bruk slipende svamper, stålull, saltsyre eller andre produkter som kan ripe opp eller lage merker i overflaten.
- Matrester som er sølt på platetoppens overflate, på de funksjonelle eller estetiske elementene, må ikke fortæres.
- Slå av apparatet eller koble det fra strømmettet før rengjøring eller vedlikehold.
- Rengjør apparatet etter hver bruk for å unngå at matrester forkulles. Det er mye vanskeligere å fjerne matrester som har størknet eller brent seg fast.
- Bruk en myk klut eller en svamp med et egnet rengjøringsmiddel til den daglige rengjøringen. Følg produsentens anbefalinger om hvilke rengjøringsmidler som

skal brukes. Bruk milde rengjøringsmidler.

- Fjern vanskelig skitt, f.eks. sølt melk, med en skrape for glasskeramikk mens platetoppen fremdeles er varm. Følg produsentens anbefalinger om hvilke skraper som skal brukes.
- Fjern sukkerholdig mat, f.eks. sølt syltetøy, med en skrape for glasskeramikk mens platetoppen fremdeles er varm. Hvis slike rester ikke fjernes, kan de skade den glasskeramiske overflaten.
- Fjern eventuell smeltet plast med en skrape for glasskeramikk mens platetoppen fremdeles er varm. Hvis slike rester ikke fjernes, kan de skade den glasskeramiske

overflaten.

- Fjern kalkflekker med litt kalkfjerningsmiddel, f.eks. eddik eller sitronsaft, etter at platetoppen er kjølt ned. Rengjør igjen med en fuktig klut.
- Ikke kutt opp eller tilbered mat på overflaten, og unngå at harde gjenstander faller ned på den. Ikke dra kasseroller og gryter over overflaten.
- Ikke bruk damprensere.

Produsent

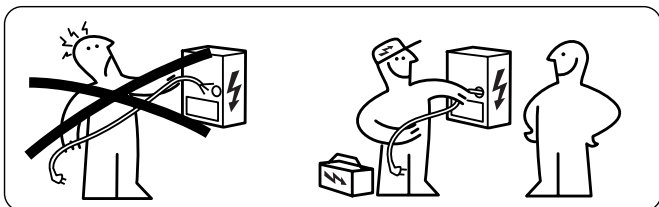
Ikea of Sweden AB - SE - 343 81 Älmhult, Sverige

Strømtilkobling

⚠ ADVARSEL: Strømtilkoblingene må utføres av en kvalifisert installatør.

- Før man kobler opp må man kontrollere at den nominelle spenningen til apparatet som er gjengitt på merkeskiltet samsvarer med spenningen i strømmettet. Merkeskiltet er påsatt på nedre del av platetoppen.
- Det må kun anvendes originale komponenter som leveres av vår reservedelstjeneste.
- Apparatet er ikke utstyrt med strømkabel. Gå til innkjøp av riktig type hos spesialisert forhandler.
- Hvis disse er skadet må de byttes med tilsvarende originale kabler. Kontakt Call Center hos nærmeste IKEA-butikk.

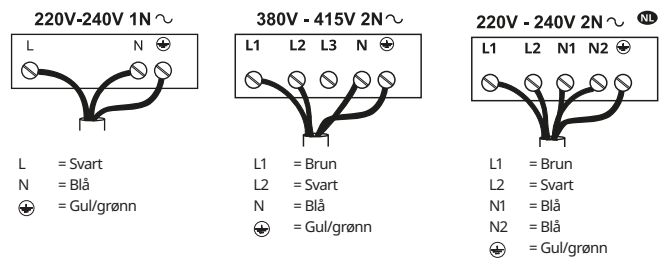
⚠ OBS! Ikke sveis kablene!



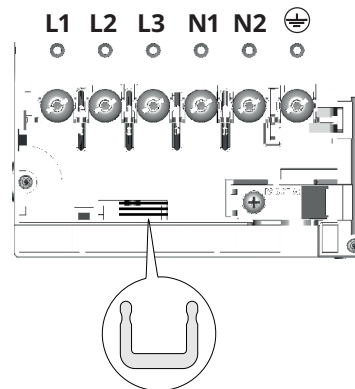
Strømtilkobling

- Følg koblingsskjemaet (finnes på undersiden av produktet).
- Dette apparatet er utstyrt med en "Y"-type strømforbindelse og har behov for en H05VV-F strømkabel. Kabelen må være utstyrt med endehylser. I henhold til IEC-regelverket må følgende brukes for enkeltfasetilkoblinger: Strømkabel på 3x4 mm², bifasetilkoblinger: strømkabel på 4x2,5 mm², og for tilkoblinger i Holland: strømkabel på 5x2,5 mm². Utvendig diameter på forsyningskabel : min 8 mm - max 12 mm. Man bes rette seg etter gjeldende regelverk i brukslandet.
- Tilkoblingspluggene er tilgjengelige ved å fjerne dekslet til koblingsboksen.
- Kontroller at egenskapene til det elektriske anlegget (spenning, maksimal effekt og strøm) er kompatible med apparatet.
- Koble til apparatet som vist på skjema (i samsvar med referansestandarder for nettspenning som gjelder på nasjonalt nivå).

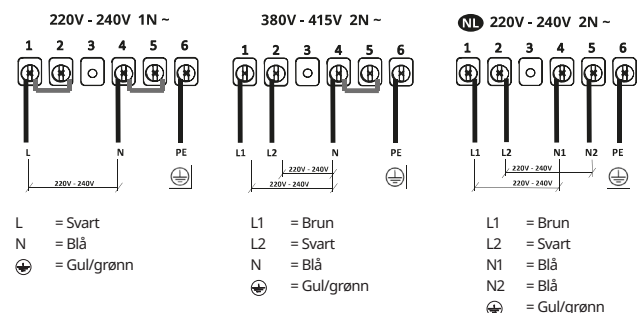
Koblingsskjema husside



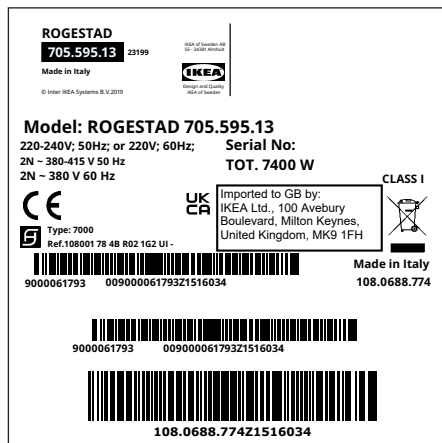
Koblingsskjema produktside



Sett strømshuntene inn mellom klemmene, som vist



Typeskilt



Bildet over viser apparatets typeskilt. Hvert produkt har et eget serienummer. Kjære kunde, ta vare på det ekstra typeskiltet festet på forsiden av sikkerhetsheftet du finner inni apparatet.

Hvis du i fremtiden skulle ha bruk for vår hjelp, kan vi finne nøyaktig den platetoppen du har kjøpt, og det er lettere å hjelpe deg. Takk for samarbeidet!

IKEA GARANTI

Hvor lenge er IKEA garantien gyldig?

Denne garantien gjelder i fem (5) år fra opprinnelig kjøpsdato hos IKEA. Den originale kvitteringen må fremlegges som kjøpsbevis. En reparasjon utført i garantiperioden forlenger ikke produktets garantiperiode.

Hvem utfører service?

Kundeservicen garanteres av en serviceleverandør utnevnt av IKEA gjennom en egen organisasjon eller eget nett av autoriserte servicesentre.

Hva dekker garantien?

Garantien dekker feil og mangler ved hvitevaren som skyldes material- og produksjonsfeil, og gjelder fra og med kjøpsdato på IKEA. Garantien gjelder kun hvitevarer. Unntakene står angitt under overskriften "Hva dekkes ikke av garantien?". Innenfor garantiperioden vil serviceleverandøren dekke reparasjonskostnadene (reservedeler, arbeids- og reisekostnader), forutsatt at tilgangen til produktet for utføring av reparasjonen ikke medfører ekstraordinære kostnader. Disse vilkårene er i samsvar med EU-direktivene (99/44/EF) og anvendbare standarder og bestemmelser. De erstattede delene forblir i IKEAs eie.

Hva vil IKEA gjøre for å rette opp eventuelle feil eller mangler?

Serviceleverandøren utnevnt av IKEA vil undersøke produktet og etter eget skjønn avgjøre om det dekkes av denne garantien. Dersom serviceleverandøren vurderer det slik at feilen eller mangelen dekkes av garantien, vil serviceleverandøren etter eget skjønn enten reparere produktet eller erstatte det med et identisk eller tilsvarende produkt.

Hva dekkes ikke av garantien?

- Normal slitasje.
- Skader som følge av bevisst misbruk eller uforsvarlig bruk, skader som har oppstått som følge av manglende overhold av bruksanvisningen, ukorrekt installering eller tilkobling til feil

strømstyrke, skader som følge av kjemisk eller elektrokjemisk reaksjon, rust, korrosjon eller vannskade, skadelig vannkvalitet (f.eks. høyt kalkinnhold), samt skader som følge av unormale miljøvariabler.

- Forbruks- og slitedeler, som batterier eller lamper/lyspærer.
- Ikke-funksjonelle og dekorative deler som ikke påvirker hvitevarens normale bruk, inkludert riper eller mulige fargeendringer.
- Uhelds-/ulykkesskade forårsaket av fremmedlegemer, eller av rengjøring eller eksponering av filtre, avløpssystemer eller vaskemiddelbeholder.
- Skade på følgende deler: keramisk glass, tilbehør, servise- og bestikkurver, inntaks- og avløpsrør, forseglinger, lamper og lampedekslar, skjermer, knotter, ddeksler og deler av deksler hvis det ikke kan påvises at skadene skyldes produksjonsfeil.
- Tilfeller der inspiserende reparatør ikke finner feil.
- Reparasjoner som ikke er utført av serviceleverandøren utnevnt av IKEA og/eller et autorisert servicesenter, eller der ikke-originale deler er brukt.
- Reparasjoner som følge av feil installasjon eller installasjon som avviker fra anvisninger og spesifikasjoner.
- Bruk av hvitevaren utenfor hjemmet, for eksempel i profesjonell sammenheng.
- Transportskader. Dersom kunden frakter produktet til sitt hjem eller en annen adresse, er ikke IKEA ansvarlig for skader som måtte oppstå under transporten. Er det derimot IKEA som frakter produktet til kundens leveringsadresse, vil eventuelle skader som oppstår under levering dekkes av denne garantien.
- Kostnader i forbindelse med første installering av IKEA hvitevaren. Dersom serviceleverandøren eller dennes autoriserte samarbeidspartner reparerer eller erstatter hvitevaren i henhold til denne garantien, vil vedkommende om nødvendig installere den reparerte hvitevaren på nytt eller installere erstatningsproduktet.

Denne begrensningen gjelder ikke feilfritt arbeid utført av kvalifisert spesialist som bruker våre originaldelar for å tilpasse

produktet til tekniske sikkerhetsspesifikasjoner i et annet EU-land.

Anvendelse av nasjonalt regelverk

IKEA garantien gir kunden spesifikke juridiske rettigheter i tillegg til lovfestede rettigheter som varierer fra land til land. Disse betingelsene begrenser ikke på noen måte forbrukerrettighetene i gjeldende nasjonalt regelverk.

Gyldighetsområde

For hvitevarer kjøpt i et EU-land og fraktet til et annet, vil service bli utført innenfor de garantibetingelser som gjelder for det nye landet. Kravet om å tilby service i henhold til garantivilkårene eksisterer kun hvis produktet er i samsvar og installert i henhold til:

- de tekniske spesifikasjonene i landet hvor garantien skal anvendes,
- bruksanvisningens sikkerhetsinformasjon.

Ettersalgsservice for IKEA hvitevarer:

Ikke nøl med å kontakte IKEA ettersalgsservice for å:

1. be om service i garantiperioden,
2. be om oppklaringer for installasjon av IKEA hvitevarer i kjøkkenmøbler fra IKEA. Du kan ikke kontakte ettersalgsservicen for følgende:
 - installasjon av kjøkken fra IKEA,
 - strømtilkobling (hvis produktet er levert uten ledninger og støpsler), vann- og gasstilkobling som må utføres av en autorisert tekniker,
3. be om oppklaringer av innholdet i bruksanvisningen og spesifikasjoner om IKEA hvitevarer.

For å garantere best mulig service ber vi deg om å lese monteringsinstruksjonene og/eller bruksanvisningen nøye før du kontakter oss.

Hvordan kontakte oss hvis du trenger hjelp



Se siste side i denne bruksanvisningen hvor det finnes en komplett liste over godkjente IKEA servicesenter med tilhørende telefonnummer.


Viktig! For å garantere en raskere service anbefaler vi å bruke telefonnumrene på slutten av bruksanvisningen. Når du kontakter kundeservice, må du alltid oppgi produktets spesifikke koder som finnes i bruksanvisningen. Før du kontakter oss må du sørge for å ha IKEA hvitevarens produktkode for hånd (8 tall).

Viktig! TA VARE PÅ KVITTERINGEN! Den er kjøpsbeviset og må fremlegges for at garantien skal være gyldig. På kvitteringen finnes også navn og kode (8 tall) til IKEA hvitevaren du har kjøpt.


Trenger du mer hjelp?

Kontakt nærmeste IKEA for ytterligere spørsmål om kundeservice for produktene. Vi ber deg om å lese apparatets dokumentasjon nøye før du kontakter oss.

Turvallisuustietoja

 Lue tämä käyttöopas huolellisesti ennen laitteen asentamista ja käyttöä oman turvallisuutesi ja laitteen oikean toiminnan takaamiseksi. Pidä nämä ohjeet laitteen lähettyvillä, niiden täytyy seurata laitetta myös, jos se myydään tai luovutetaan kolmansille osapuolille. On tärkeää, että käyttäjät tuntevat laitteen toiminta- ja turvallisuusominaisuudet.

Näiden keittotasojen induktiojärjestelmät vastaavat EMC- ja EMF-direktiivien vaatimuksia eikä niiden pitäisi aiheuttaa häiriöitä muihin elektroniikkalaitteisiin. Henkilöiden, joilla on sydämentahdistin tai muita elektronisista implantteja, tulisi kysyä ohjeita lääkäriltä tai laitteen valmistajalta arvioidakseen onko kyseisessä laitteessa riittävä suojaus häiriöitä vastaan.


 Sähköliitännät saa tehdä vain pätevä teknikko. Ennen sähköliitännän tekemistä lue osa SÄHKÖLIITÄNTÄ.

Laitteissa, joissa on virtajohto, liittimet tai johtojen osa sen kiinnityskohdan ja liittimien välillä on sijoitettava niin, että jännitteessä oleva johdin voidaan irrottaa ennen maattojohdinta, jos se pääsee kiinnityksestä.


- Valmistaja ei vastaa väärästä asennuksesta tai käytöstä aiheutuneista vahingoista.
- Tarkista, että sähköverkon syöttö vastaa tuotteen sisällä olevan arvokilven tietoja.
- Erotuskytkimet on asennettava kiinteään järjestelmään kaapelointijärjestelmiä koskevien määräysten mukaisesti.
- Luokan I laitteita varten on tarkistettava, että kodin sähköverkossa on sopiva maadoitus
- Liitä tuote sähköverkkoon moninapaisen kytkimen kautta.
- Jos virtajohto on vahingoittunut, mahdollisten vaaratilanteiden välttämiseksi sen saa vaihtaa vain valmistaja, valtuutettu huoltoliike tai pätevä teknikko.

 **VAROITUS:** Poista suojakalvot ennen laitteen asentamista.

- Käytä vain laitteen mukana toimitettuja ruuveja ja metalliosia.

 **VAROITUS:** Jos ruuveja ja kiinnitysosia ei asenneta näiden ohjeiden mukaisesti, voi aiheutua sähköiskuvaara.

- Lapset eivät saa tehdä puhdistus- ja huoltotoimenpiteitä ilman aikuisen valvontaa.
- Lapsia on valvottava, jotta he eivät pääse leikkimään laitteella.
- Tätä laitetta eivät saa käyttää psyykkisesti, fyysisesti tai sensorisesti rajoitteiset henkilöt (lapset mukaan lukien) tai kokemattomat ja taitamattomat henkilöt, ellei heidän turvallisuudestaan vastaava henkilö valvo ja opasta heitä laitteen turvallisessa käytössä.
- Yli 8-vuotiaat lapset ja psyykkisesti, fyysisesti tai sensorisesti rajoitteiset henkilöt tai kokemattomat ja taitamattomat henkilöt saavat käyttää tätä laitetta vain, jos heitä valvotaan ja heille on annettu tiedot laitteen turvallisesta käytöstä ja siihen liittyvistä vaaroista. Älä anna lasten leikkiä laitteella.

 **VAROITUS:** Laite ja sen kosketettavissa olevat osat tulevat käytön aikana hyvin kuumiksi.

Varo koskettamasta vastuksia.

Pidä alle 8-vuotiaat lapset etäällä laitteesta, ellei heitä valvota jatkuvasti.

VAROITUS: Jos pinnassa on säröjä, sammuta laite sähköiskuvaaran välttämiseksi.

- Älä kytke laitetta toimintaan, jos pinnassa on säröjä tai materiaalin paksuudessa näkyy vikaa.
- Älä koske laitteeseen märillä käsillä tai kehon osilla.
- Älä puhdistu laitetta höyrypesurilla.
- Älä aseta keittotason pinnalle metalliesineitä, kuten veitsiä, haarukoita,

lusikoita tai kansia, ne voivat ylikuumentua.

- Kytke keittotaso käytön jälkeen pois toiminnasta painikkeella, älä luota keittoastian tunnistimeen.

VAROITUS: On vaarallista jättää keittotaso valvomatta kun käytetään öljyä tai rasvoja, saattaa syntyä vaaratilanne ja syttyä tulipalo. Älä KOSKAAN yritä sammuttaa liekkejä vedellä, vaan kytke laite pois toiminnasta ja tukahduta liekit esimerkiksi kannella tai sammutuspeitolla.

HUOMIO: Kypsennysprosessia täytyy valvoa. Lyhyttä kypsennystä täytyy valvoa jatkuvasti.

- Laitetta ei ole tarkoitettu käytettäväksi ulkopuolisen ajastimen tai erillisen kaukosäätimen kanssa.

VAROITUS: Tulipalovaara: Älä laita kypsennyspinnoille esineitä.

- Laite tulee asentaa niin, että se voidaan kytkeä irti sähköverkosta koskettimien avausvälillä (3 mm), joka takaa täydellisen erottamisen ylijänniteluokan III olosuhteissa.
- Laitetta ei saa koskaan altistaa ympäristötekijöille (sade, aurinko).
- Pidä pakkausmateriaalit poissa lasten ja kotieläinten ulottuvilta.
- Varmista, että laite on liitetty suoraan pistorasiaan.
- Älä käytä laitteen liittämiseen haaroittimia, jakorasioita tai jatkojohtoja.
- Älä missään tapauksessa käytä laitetta muuhun kuin sille tarkoitettuun käyttöön.
- Rasvakeittimiä on valvottava jatkuvasti käytön aikana: ylikuumentunut öljy voi syttyä palamaan.
- Älä käytä laitetta ulkopuolisella ajastimella tai erillisellä kaukosäätimellä.
- Ylikuumenemisen välttämiseksi laitetta ei saa asentaa koristeoven taakse.
- Älä nouse laitteen päälle, se voi

vahingoittua.

- Älä aseta kattiloita tai pannuja reunalle, silikoniliitokset voivat vahingoittua.

Asennus

Asennusmenettelyssä on pakollista noudattaa käyttömaassa voimassa olevia lakeja, määräyksiä, direktiivejä ja normeja (sähköjärjestelmien turvallisuussäännöt, osien oikea kierrätys jne.)!


- Lisätietoja asennuksesta löytyy asennusohjeista.
- Älä käytä silikonitiivistettä laitteen ja työtason välillä.
- Tarkista, että keittotason alla riittävästi tilaa ilmankiertoa varten. Katso asennusohjeita.
- Laitteen alaosa voi tulla hyvin kuumaksi. Jos laite on asennettu laatikoiden yläpuolelle varmista, että laitteen alle asennetaan tulenkestävä eristyspaneeli, joka estää pääsyn laitteen alaosaan. Katso asennusohjeita.
- Laitteen ilmanvaihdon täytyy vastata valmistajan ohjeita.
- Tee keittiömoduuliin, johon keittotaso asennetaan, ainakin 28 cm² kokoinen aukko laitteen oikeaa ilmankiertoa varten.

Keittiömoduulin vaatimukset


- Jos laite asennetaan tulenaran materiaalin päälle, on noudatettava tarkkaan ohjeistusta sekä pienjännitettä ja paloturvallisuutta koskevia määräyksiä.
- Kalusteeseen asennettavissa yksiköissä osat (muovimateriaalit ja viilulevy) on koottava kuumuutta kestäväällä liimalla (min. 85 °C): sopimattomien materiaalien ja sideaineiden käyttäminen voi aiheuttaa osien vääntymistä ja irtoamista.
- Työtason reunassa voidaan käyttää kovaa puuta olevia koristereunoja laitteen takana, kunhan minimietäisyys vastaa aina asennuskuvissa näkyviä arvoja.
- Jos keittotason alla ei ole uunია, asenna laitteen alle eristyspaneeli kuten asennusohjeissa kuvataan.

Ympäristönsuojelu

Kodinkoneiden hävittäminen

- Merkki  tuotteessa tai sen pakkauksessa osoittaa, että tuotetta ei saa hävittää tavallisen kotitalousjätteen mukana. Tuote täytyy toimittaa erityiseen sähkö- ja elektroniikkalaitteiden osien kierrätyskeskukseen. Varmistamalla, että tuote hävitetään oikealla tavalla, on mahdollista auttaa välttämään ympäristöä ja henkilöiden terveyttä uhkaavia haittavaikutuksia, joita voi syntyä vääränlaisesta hävittämisestä. Lisätietoja tuotteen kierrättämisestä saat paikallisilta viranomaisilta, paikallisesta jätehuollosta tai liikkeestä, josta tuote on ostettu.

Pakkausmateriaalien hävittäminen

Symbolilla  merkityt materiaalit ovat kierrätettäviä. Toimita pakkaus asianmukaiseen kierrätykseen.

Energiansäästö

Päivittäisessä käytössä on mahdollista säästää energiaa noudattamalla seuraavia ohjeita.

- Vettä lämmittäessäsi käytä sitä vain tarvittava määrä.
- Peitä kattilat aina sopivalla kannella, jos mahdollista.
- Aseta keittoastia oikein paikalleen ennen keittoalueen käynnistämistä.
- Laita pienet keittoastiat pienemmille keittoalueille.
- Aseta keittoastiat suoraan keskelle keittoaluetta.
- Käytä jälkilämpöä ruokien pitämiseen lämpimänä tai sulattamiseen.

Puhdistus ja huolto

- Älä koskaan käytä hankaussieniä, teräsvillaa, suolahappoa tai muita tuotteita, jotka saattavat naarmuttaa pintaa tai jättää siihen jälkiä.
- Älä käytä keittotason pinnalle, toiminta- tai koriste-elementeille mahdollisesti pudonneita ja kerääntyneitä elintarvikkeita.
- Sammuta laite tai kytke se irti sähköverkosta ennen minkään puhdistus- tai huoltotoimenpiteen aloittamista.
- Puhdista laite jokaisen käytön jälkeen mahdollisten ruoanjäänteiden palamisen välttämiseksi. On paljon vaikeampaa puhdistaa kuivuneet tai palaneet likatahrat.
- Puhdista päivittäinen lika pehmeällä liinalla ja sopivaan puhdistusaineeseen kostutetulla sienellä. Noudata käytettävän pesuaineen suhteen valmistajan suosituksia. On suositeltavaa käyttää neutraaleja puhdistusaineita.
- Poista kuivunut lika, kuten ylikiehunut maito, lasikeraamisen pinnan kaapimella keittotason vielä ollessa lämmin. Noudata käytettävän kaapimen suhteen valmistajan suosituksia.
- Poista paljon sokeria sisältävät jäänteet, kuten keitetyn hillon roiskeet, lasikeraamisen pinnan kaapimella keittotason vielä ollessa lämmin. Tällaiset jäänteet voivat vahingoittaa lasikeraamista pintaa ellei niitä poisteta.
- Poista mahdollinen sulanut muovi lasikeraamiselle pinnalle tarkoitettua kaapimella keittotason vielä ollessa lämmin. Tällaiset jäänteet voivat vahingoittaa lasikeraamista pintaa ellei niitä poisteta.
- Poista kalkkitahrat pienellä määrällä kalkinpoistoliuosta, esimerkiksi etikkaa tai sitruunamehua, kun keittotaso on jäähtynyt. Puhdista uudelleen kostealla liinalla.
- Älä leikkaa tai valmista ruokia pinnalla äläkä anna kovien esineiden pudota sen päälle. Älä vedä kattiloita tai astioita pinnalla.
- Älä käytä höyrypesuria.

Valmistaja

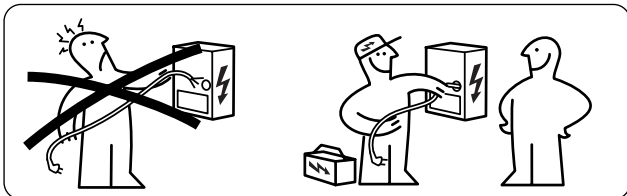
Ikea of Sweden AB - SE - 343 81 Älmhult, Ruotsi

Sähköliitäntä

VAROITUS: Sähköliitännät saa tehdä vain valtuutettu asentaja.

- Ennen liitäntöjen suorittamista tarkista, että vastaavassa kyltissä osoitettu nimellisjännite vastaa verkkojännitteen arvoa. Tietokyltti on kiinnitetty keittotason alapuolelle.
- Käytä yksinomaan alkuperäisiä osia, jotka on toimitettu varaosapalvelun toimesta.
- Laitteessa ei ole virtajohtoa. Osta oikeanlainen valtuutetulta jälleenmyyjältä.
- Jos virtajohdot ovat vahingoittuneet, vaihda ne vastaaviin alkuperäisiin varaosiin. Ota yhteys oman IKEA-kaupan call centeriin.

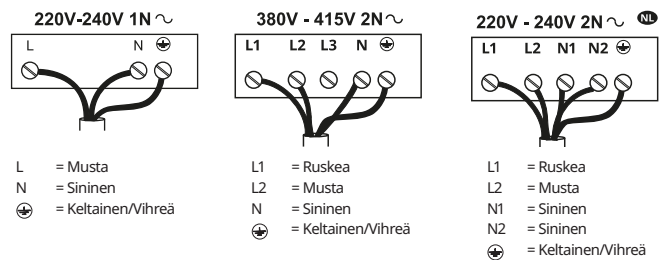
Huomio! Älä juota johtoja!



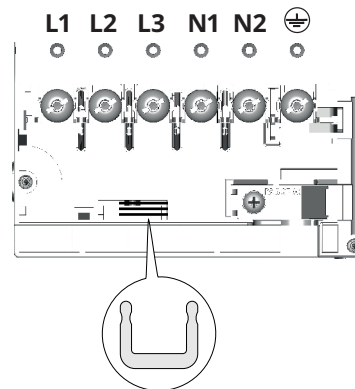
Sähköliitäntä

- Noudata kytkentäkaaviota (sijaitsee tuotteen alapuolella).
- Tässä laitteessa on "Y"-tyyppinen liitäntä, ja se edellyttää H05VV-F-virtajohtoa. Johdossa tulee olla pakolliset pääteholkit. Käytä yksivaiheiliitäntää IEC-standardin mukaisesti: virtajohtoa, jonka mitat ovat 3 x 4 mm², kaksivaiheiliitäntään: virtajohtoa 4 x 2,5 mm² Hollannissa liittämistä varten: virtajohto, jonka mitat ovat 5 x 2,5 mm². Virtajohdon ulkohalkaisija: min. 8 mm - maks. 12 mm. Erityisiä kansallisia määräyksiä pyydetään noudattamaan.
- Liittimiin päästään irrottamalla liitäntäkotelon kansi.
- Tarkista, että kodin sähköjärjestelmän ominaisuudet (jännite, maksimiteho ja virta) ovat laitteen kanssa yhteensopivat.
- Liitä laite kaavion mukaisesti (voimassa olevien kansallisten verkkojännitteen viitenormien mukaisesti).

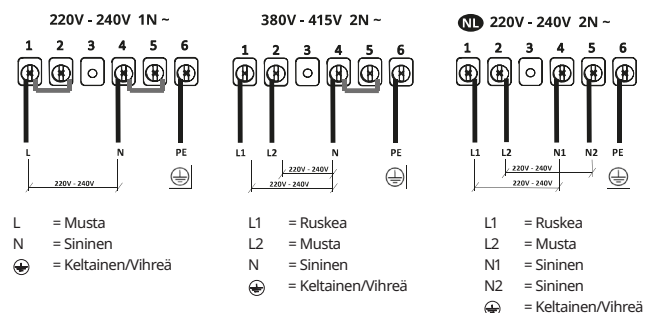
Liitäntäkaavio kodin puoli



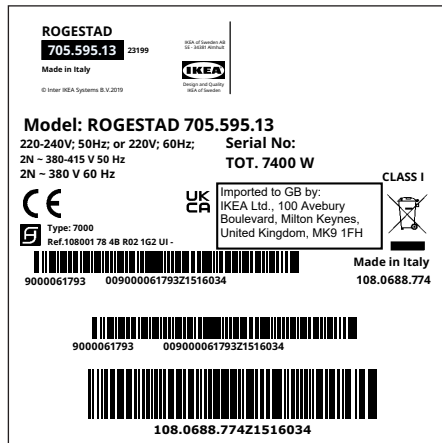
Liitäntäkaavio tuotteen puoli



Aseta shuntit U liittimien välille kuten kuvassa



Arvokilpi



Yllä olevassa kuvassa näkyy laitteen arvokilpi. Sarjanumero on jokaisen tuotteen oma. Arvoisa asiakas, ole hyvä ja säilytä lisäarvokilpi, joka on tuotteen mukana toimitetun turvaoppaan kanssa.

Näin voimme tunnistaa tarkkaan ostamasi keittotason ja auttaa sinua paremmin, jos tarvitset apuamme. Kiitos yhteistyöstä!

IKEA-TAKUU

Kauanko IKEA-takuu on voimassa?

Tämä takuu on voimassa viisi (5) vuotta tuotteen alkuperäisestä IKEAsta ostopäivästä. Ostotodisteeksi vaaditaan alkuperäinen kuitti. Takuuajana tehdyt korjaukset eivät pidennä laitteen takuuajaa.

Kuka hoitaa huoltopalvelun?

Huollosta vastaa IKEAn nimeämä palveluntarjoaja oman organisaationsa tai valtuutettujen huoltoliikkeiden verkon kautta.

Mitä takuu kattaa?

Takuu kattaa kodinkoneen mahdolliset materiaali- ja valmistusvirheet. Takuu astuu voimaan tuotteen alkuperäisenä IKEA-myyntipisteestä ostopäivänä. Takuu koskee ainoastaan kotikäytössä olevia kodinkoneita. Poikkeukset on lueteltu kohdassa "Mitä tämä takuu ei kata". Takuun voimassaoloaikana huoltopalvelu vastaa korjauskuluista (varaosat, työtunnit ja teknisen henkilökunnan matkat), kun korjattavan laitteen luo pääseminen ei vaadi erityiskuluja. Nämä ehdot vastaavat EU-direktiivejä (nro 99/44/EY) sekä sovellettavissa olevia paikallisia määräyksiä. Vaihdetuista osista tulee IKEAn omaisuutta.

Miten IKEA ratkaisee ongelman?

IKEAn nimeämä palveluntarjoaja tutkii tuotteen ja päättää täysin oman harkintansa mukaan, kattaako takuu tuotteessa esiintyvän vian. Jos takuu kattaa vian, IKEAn nimeämä palveluntarjoaja tai sen valtuuttama huoltoliike huoltopisteidensä kautta joko korjaa viallisen tuotteen tai vaihtaa sen samanlaiseen tai vastaavaan tuotteeseen oman harkintansa mukaan.

Mitä takuu ei kata?

- Normaali kuluminen.
- Viat, jotka johtuvat tahallista teosta tai huolimattomuudesta, käyttöohjeiden noudattamisen laiminlyönnistä, väärästä asennuksesta tai liittämistä väärään jännitteeseen, viat jotka johtuvat kemiallisesta tai sähkö-kemiallisesta reaktiosta,

ruosteesta, korroosiosta tai vesivahingosta, vesijohtojen veden liiasta kalkkipitoisuudesta aiheutuvat vahingot mukaan lukien sekä huonon sään ja luonnollisten tekijöiden aiheuttamat viat.

- Kulutusosat, kuten paristot ja lamput.
- Koristeelliset ja ei-toiminnalliset osat, jotka eivät vaikuta kodinkoneen normaaliin käyttöön, kuten naarmut tai värierot.
- Vika, joka on aiheutunut vieraasta esineestä tai aineista tai suodattimien, vedenpoistojärjestelmien tai pesuainekoteloiden puhdistamisesta tai niissä olevien tukosten poistamisesta.
- Seuraavissa osissa esiintyvät viat: lasikeraaminen pinta, lisävarusteet, astia- ja ruokailuvälinekorit, tulo- ja poistoputket, tiivisteet, lamput ja niiden suojukset, näytöt, kytkimet, kuoret ja niiden osat. Lukuun ottamatta tapauksia, joissa on todistettu vian johtuvan valmistusvirheestä.
- Tapaukset, joissa tuotteesta ei huoltokäynnillä löydy vikaa.
- Korjaustyöt, joita ei ole suorittanut IKEAn nimeämä palveluntarjoaja tai sen valtuuttama huoltoliike tai korjaukset, joissa on käytetty muita kuin alkuperäisiä osia.
- Korjaustyöt, jotka johtuvat siitä, että tuote on asennettu väärin tai ohjeiden vastaisesti.
- Kodinkoneen käyttäminen muualla kuin kotitaloudessa, esimerkiksi ammattikäytössä.
- Kuljetuksen aiheuttamat viat. Jos asiakas on kuljettanut tuotteen kotiinsa tai muuhun osoitteeseen, IKEA ei ole vastuussa mahdollisista kuljetuksen aikana aiheutuneista vahingoista. Jos IKEA on kuljettanut tuotteen asiakkaalle, mahdolliset kuljetuksen aikana aiheutuneet vahingot kuuluvat takuun piiriin.
- IKEA-laitteen ensimmäisen asennuksen kustannukset. Jos IKEAn nimeämä palveluntarjoaja tai sen valtuuttama huoltoliike tekee korjauksen tai vaihtaa laitteen takuuajana, palveluntarjoajan tai sen valtuuttaman huoltoliikkeen on myös tarvittaessa suoritettava korjatun laitteen uudelleenasennus tai vaihdetun laitteen asennus.

Nämä rajoitukset eivät koske pätevän henkilökunnan

ammattisääntöjen mukaisesti ja alkuperäisiä varaosia käyttäen tekemää laitteen mukauttamista toisen EU-maan turvallisuusnormeihin.

Kansallisten lakien soveltaminen

IKEA-takuu antaa asiakkaalle erityisiä laillisia oikeuksia lakisääteisten eri maissa vaihtelevien oikeuksien lisäksi. Nämä ehdot eivät kuitenkaan millään tavoin rajoita paikallisen lainsäädännön määrittelemiä kuluttajan oikeuksia.

Voimassaoloalue

EU-maassa ostetuille, toiseen EU-maahan siirretyille laitteille tarjotaan palvelut uudessa maassa sovellettavissa olevien takuuehtojen mukaisesti. Velvollisuus tarjota palvelu takuun ehtojen mukaisesti on olemassa vain jos laite on vaatimusten mukainen ja se on asennettu:

- sen maan teknisten erittelyjen mukaisesti, jossa takuuta haetaan,
- käyttöoppaan turvallisuustietojen mukaisesti.

IKEA-kodinkoneiden myynnin jälkeinen huoltopalvelu:

Voit ottaa yhteyttä IKEAn myynnin jälkeiseen huoltopalveluun kun haluat:

1. pyytää tukea takuun puitteissa
2. pyytää lisätietoja IKEA-kodinkoneiden asentamisesta erityisiin IKEA-keittiökaluksiin. Palvelu ei avusta eikä anna lisätietoja:
 - IKEA-keittiöiden asentamisessa
 - sähköliitännöissä (jos laite on toimitettu ilman johtoja ja pistokkeita), vesijohto- ja kaasulaitteistoliitännöissä, jotka täytyy antaa valtuutetun huoltoteknikon tehtäväksi.
3. pyytää lisätietoja käyttöoppaasta ja IKEA-kodinkoneen teknisistä tiedoista.

Parhaan palvelun takaamiseksi lue huolellisesti Asennusohjeet ja/ tai Käyttöopas ennen kuin otat yhteyttä.

Miten ottaa yhteyttä, jos tarvitset teknikon apua



Katso IKEAn palveluntarjoajien luetteloa tämän käyttöoppaan viimeisellä sivulla, jolla ovat vastaavat kansalliset puhelinnumerot.


Tärkeää! Nopeamman palvelun takaamiseksi on suositeltavaa käyttää tämän käyttöoppaan lopussa lueteltuja puhelinnumeroita. Kun kutsut huoltoteknikon mainitse aina laitteen koodit, jotka löytyvät tästä käyttöoppaasta. Ennen huoltoteknikon kutsumista varmista, että sinulla on käsillä korjausta vaativan kodinkoneen IKEA-tuotekoodi (8 numeroa).

Tärkeää! SÄILYTÄ KUITTI! Se on todisteesi ostosta ja sen esittäminen on edellytys takuun voimassaololle. Kuitissa näkyvät myös ostamasi IKEA-kodinkoneen nimi ja koodi (8 numeroa).


Tarvitsetko vielä apua?

Jos sinulla on muita kuin laitteiden huoltopalvelua koskevia kysymyksiä, ota yhteys lähimpään IKEA-myyntipisteeseen. Suosittelemme laitteen asiakirjojen huolellista lukemista ennen yhteyden ottamista.

Säkerhetsinformation

 För din säkerhet och korrekt funktion av apparaten ber vi dig läsa denna bruksanvisning noggrant innan apparaten installeras och tas i bruk. Förvara denna bruksanvisning tillsammans med apparaten, så att du kan lämna över den till eventuell ny ägare. Det är viktigt att användarna känner till apparatens samtliga funktions- och säkerhetsegenskaper.

Dessa spishällar har induktionssystem som uppfyller kraven i EMC-reglerna och EMF-direktivet och ska inte störa andra elektroniska anordningar. Personer med pacemaker eller andra elektroniska implantat ska rådgöra med sin läkare eller tillverkaren av implantatet för bedömning av huruvida implantatet är tillräckligt motståndskraftigt mot störningar.

 Elanslutningarna ska ombesörjas av en behörig tekniker. Se avsnitt ELANSLUTNING innan elanslutningen utförs.

På apparater försedda med elkabel ska placeringen av klämmorna eller ledarnas sträckning mellan kabelns förankringspunkt och klämmorna vara sådana att den spänningsförande ledaren släpper före jordledaren om kabeln rycks loss ur sin förankring.


- Tillverkaren ansvarar inte för eventuella skador som orsakas av felaktig installation eller användning.
- Kontrollera att nätspänningen motsvarar den som anges på märkplåten som är fäst inuti apparaten.
- Det är nödvändigt att installera frånskiljare i det fasta elsystemet i enlighet med kabeldragningsbestämmelserna.
- För apparater i klass I, säkerställ att bostadens elnät har en lämplig jordanslutning.
- Anslut apparaten till elnätet med en allpolig

brytare.


- Om elkabeln är skadad ska den bytas ut av tillverkaren, en auktoriserad serviceverkstad eller en behörig tekniker för att undvika risker och farliga situationer.

 **WARNING:** Ta bort skyddsfilmen innan apparaten installeras.

- Använd endast de skruvar och övriga fästelement som medföljer apparaten.

 **WARNING:** Om det inte installeras skruvar eller fästnanordningar som överensstämmer med dessa anvisningar kan det leda till risk för elchock.

- Rengöring och underhåll får inte utföras av barn utan tillsyn av en vuxen.
- Barn ska övervakas för att säkerställa att de inte leker med apparaten.
- Denna apparat får inte användas av personer (inklusive barn) med nedsatt fysisk, sensorisk eller mental funktionsförmåga eller av personer som saknar erfarenhet och kunskap, såvida de inte övervakas eller instrueras om användningen av apparaten av en person som är ansvarig för deras säkerhet.
- Denna apparat får användas av barn (över 8 år), personer med nedsatt fysisk, sensorisk eller mental funktionsförmåga eller personer som saknar erfarenhet eller kunskap om hur den används, under förutsättning att de övervakas av någon som kan ansvara för deras säkerhet eller som har lärt dem hur apparaten används på ett säkert sätt och gjort dem medvetna om riskerna. Låt inte barn leka med apparaten.

 **WARNING:** Apparaten och dess åtkomliga delar blir mycket varma under användningen.

Se till att du inte vidrör värmeelementen.

Se till att barn under 8 år inte befinner

sig i närheten av apparaten om de är oövervakade.

VARNING: Om ytan är sprucken ska apparaten stängas av för att undvika risk för elchock.

- Slå inte på apparaten om ytan är sprucken eller uppvisar synliga och djupa materialskador.
- Vidrör inte apparaten med våta händer eller kroppsdelar.
- Rengör inte apparaten med ångtvättar.
- Placera inte metallföremål såsom knivar, gafflar, skedar och lock på spishällens yta eftersom de kan överhettas.
- Använd avsett reglage för att stänga av spishällen efter användning. Förlita dig inte enbart på kastrullsensorerna.

VARNING: Det är farligt att lämna spishällen oövervakad när det används olja eller fett eftersom det kan uppstå en farlig situation och risk för eldsvåda. Försök ALDRIG att släcka lågorna med vatten utan stäng av apparaten och kväv lågorna med ett lock eller en brandfilt.

OBSERVERA: Tillagningsprocessen ska övervakas. En kort tillagningsprocess ska övervakas hela tiden.

- Apparaten är inte avsedd att användas med en extern timer eller ett separat fjärrstyrningssystem.

VARNING: Brandrisk: Placera inte föremål på spishällen.

- Apparaten ska installeras så att den kan fränkopplas från elnätet med en kontaktöppning (3 mm) som säkerställer fullständig fränkoppling vid överbelastning i kategori III.
- Apparaten ska aldrig utsättas för väder och vind (regn, sol).
- Lämna aldrig emballeringsmaterialet inom räckhåll för barn och husdjur.
- Säkerställ att apparaten är ansluten direkt till eluttaget.

- Använd inte adaptrar, förgreningsdosor eller förlängningssladdar för anslutning av apparaten.
- Använd aldrig apparaten för andra ändamål än vad den är konstruerad för.
- Fritöser ska övervakas hela tiden under användningen. Den överhettade oljan kan fatta eld.
- Använd inte apparaten med en extern timer eller ett separat fjärrstyrningssystem.
- Installera aldrig apparaten bakom en dekorlucka. Den kan då överhettas.
- Kliv inte upp på apparaten. Den kan skadas.
- Placera inte kastruller och stekpannor på kanten. Silikonfogarna kan skadas.

Installation

Det är obligatoriskt att följa gällande lagar, bestämmelser, direktiv och standarder (säkerhetsföreskrifter för elanläggningar, korrekt återvinning av komponenter o.s.v.) i användningslandet i samband med installationen!


- Se monteringsanvisningarna för mer information om installationen.
- Använd inte någon silikonbaserad fogmassa mellan apparaten och bänkskivan.
- Kontrollera att det finns tillräckligt med utrymme under spishällen för luftcirkulationen. Se monteringsanvisningarna.
- Apparaten botten kan bli mycket varm. Om apparaten installeras ovanför lådor ska det installeras en brandsäker avskiljande panel under apparaten som förhindrar åtkomst till botten. Se monteringsanvisningarna.
- Apparaten ventilation ska överensstämma med tillverkarens anvisningar.
- Skapa en öppning fram på minst 28 cm² i köksdelen där spishällen ska placeras så att det medges en korrekt ventilation av apparaten.

Krav på köksdel


- Om apparaten monteras på brännbara material ska riktlinjer och föreskrifter avseende lågspänningsanläggningar och brandskyddsregler iakttas till punkt och pricka.
- På inbyggnadsenheterna ska delarna (plastmaterial och träfanér) monteras med värmebeständigt lim (min. 85 °C). Användning av olämpligt material och lim kan medföra att delarna deformeras och lossnar.
- Det är tillåtet att använda lister i massivt trä runt bänkskivan bakom apparaten förutsatt att min. avstånden alltid är i överensstämmelse med anvisningarna på installationsritningarna.
- Om det inte finns en ugn under spishällen ska det installeras en avskiljande panel under apparaten enligt monteringsanvisningarna.

Miljöaspekter

Bortskaffande av hushållsapparater

- Symbolen  på apparaten eller emballaget anger att apparaten inte får hanteras som hushållsavfall. Apparaten ska lämnas in på en särskild återvinningscentral för el- och elektronikkomponenter. Genom att säkerställa att apparaten bortskaffas på rätt sätt bidrar du till att förebygga eventuella negativa miljö- och hälsoeffekter som kan uppstå om apparaten bortskaffas som vanligt avfall. För ytterligare upplysningar om återvinning av apparaten kan du kontakta de kommunala myndigheterna, den lokala sophämtningstjänsten eller varuhuset där du köpte apparaten.

Bortskaffande av emballeringsmaterial

Material med symbolen  kan återvinnas. Bortskaffa emballeringsmaterialet i därtill avsedda samlingsbehållare för återvinning.

Energibesparing

Det går dagligdags att spara energi under matlagningen genom att följa följande anvisningar.

- Värm endast upp den mängd vatten som behövs.
- Täck, om möjligt, alltid kastrullerna med ett lock.
- Ställ kastrullen rätt innan kokzonen aktiveras.
- Ställ mindre kastruller på de mindre kokzonerna.
- Placera kastrullerna mitt över kokzonen.
- Använd restvärmen för att smälta eller hålla livsmedel varma.

Rengöring och underhåll

- Använd aldrig slipande svampar, stålull, saltsyra eller andra produkter som kan repa eller lämna märken på ytan.
- Ät inte eventuella matrester som faller ned på eller ansamlas på spishällens yta eller på dess funktionella och dekorativa delar.
- Stäng av eller frånkoppla apparaten från elnätet före rengöring eller underhåll.
- Rengör apparaten efter varje användningstillfälle för att undvika att eventuella matrester förkolnas. Det är mycket svårare att ta bort intorkad eller fastbränd smuts.
- Använd en mjuk trasa eller svamp och ett lämpligt rengöringsmedel för att ta bort smutsen från den dagliga användningen. Följ tillverkarens rekommendationer beträffande vilka rengöringsmedel som ska användas. Det rekommenderas att använda milda rengöringsmedel.
- Ta bort intorkad smuts, t.ex. mjölk som har kokat över, med hjälp av en skrapa avsedd för glaskeramik medan spishällen fortfarande är varm. Följ tillverkarens rekommendationer beträffande vilken skrapa som ska användas.
- Ta bort matrester som innehåller socker, t.ex. syltstänk från tillagningen, med hjälp av en skrapa avsedd för glaskeramik medan spishällen fortfarande är varm. Om dessa rester inte tas bort kan glaskeramikytan skadas.
- Ta bort eventuella rester av smält plast med en skrapa avsedd för glaskeramik medan spishällen fortfarande är varm. Om dessa rester inte tas bort kan glaskeramikytan skadas.
- Ta bort kalkfläckar genom att använda en liten mängd

kalklösningsmedel, t.ex. vinäger eller citronsaft, när spishällen har svalnat. Rengör sedan på nytt med en fuktig trasa.

- Skär eller förbered inte livsmedel på ytan. Se till att inga hårda föremål faller ned på ytan. Dra inte kastruller eller kökskärl på ytan.
- Rengör inte apparaten med ångtvättar.

Tillverkare

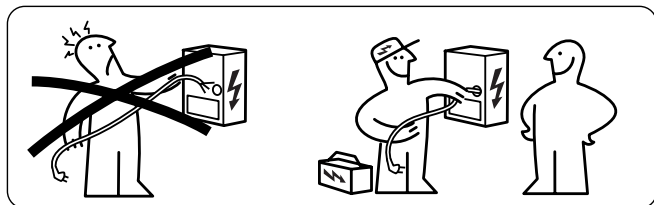
Ikea of Sweden AB - 343 81 Älmhult

Elanslutning

! VARNING: Samtliga elanslutningarna ska ombesörjas av en behörig installatör

- Innan du utför anslutningarna, kontrollera att apparatens märkspänning som anges på typskylten motsvarar nätspänningen. Märkskylten är fäst på spishällens undersida.
- Använd endast originaldelar som levereras av reservdelsservicen.
- Apparaten är inte utrustad med nätkabel. Köp den korrekta av en specialiserad återförsäljare.
- Om de är skadade, byt ut matningskablarna med respektive original reservkablar. Kontakta call center i din egen IKEA butik.

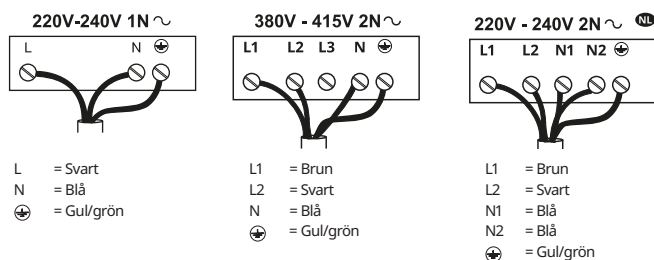
! Observera! Svetsa inte på kablarna!



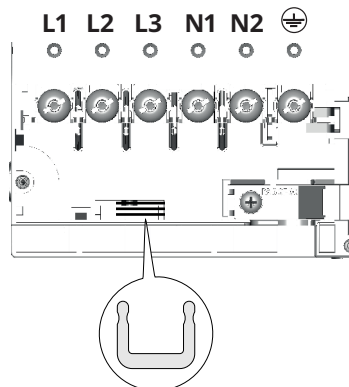
Elanslutning

- Se kopplingsschemat (sitter på produktens undersida).
- Denna apparat har en anslutning av typ "Y" och kräver en matningskabel H05VV-F. Kabeln kräver obligatoriska terminalhylsor. Enligt IEC standarden, använd för enfass anslutningen: matningskabel 3 x 4 mm², för tvåfas anslutningen: matningskabel på 4 x 2,5 mm² och för anslutning i Holland: matningskabel på 5 x 2,5 mm². Extern diameter på nätkabeln : min 8 mm - max 12 mm. Virekommenderar att iaktta de specifika nationella standarderna.
- Anslutningsklämmorna går att komma åt genom att kopplingsdosans hölje tas bort.
- Kontrollera att egenskaperna hos bostadens elsystem (spänning, max. effekt och ström) är kompatibla med apparatens egenskaper.
- Anslut apparaten såsom visas i schemat (ienlighet med gällande nationella referens-standarder för nätspänning).

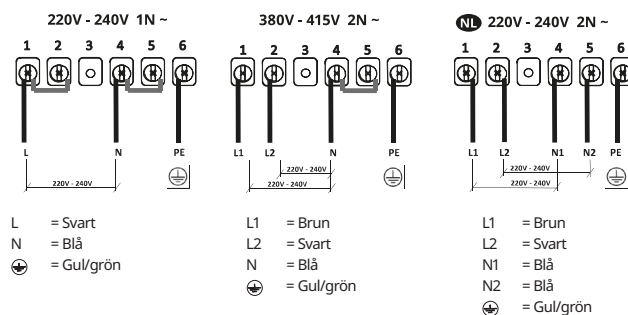
Kopplingsschema byggnadssida



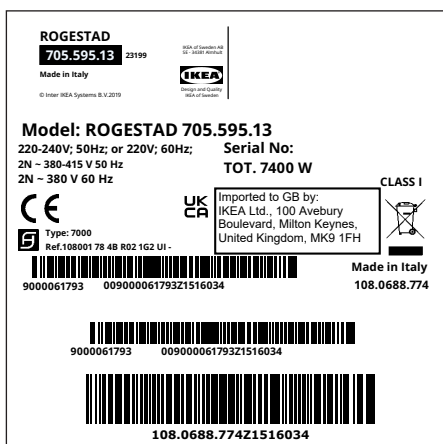
Kopplingsschema produktsidan



Installera strömavledare  mellan klämmorna som i figuren.



Märkplåt



Ovanstående figur visar apparatens märkplåt. Serienumret är specifikt för varje apparat. Bästa kund! Behåll den extra märkplåten som finns på omslaget till säkerhetshäftet som medföljer inuti apparaten.

På det viset kan vi lättare hjälpa dig om du skulle behöva vår service längre fram, genom att vi då vet exakt vilken spishäll du har köpt. Tack för samarbetet!

IKEA GARANTI

Hur länge gäller IKEA garantin?

Denna garanti gäller i fem (5) år fr.o.m. det ursprungliga datumet för inköpet på IKEA. Originalkvitto krävs som inköpsbevis. En reparation som utförs under garantin förlänger inte garantiperioden för apparaten.

Vem utför service?

Kundservicen utförs av serviceföretaget som utses av IKEA:s serviceorganisation eller av dess nätverk av auktoriserade serviceverkstäder.

Vad omfattas av garantin?

Garantin omfattar eventuella material- och/eller konstruktionsfel hos hushållsapparaten och gäller fr.o.m. datumet för inköpet av hushållsapparaten på ett av IKEA:s försäljningsställen. Garantin gäller endast för hushållsapparater som är avsedda för hushållsbruk. Undantagen beskrivs i punkt "Vad omfattas inte av garantin?". Under garantiperioden står den auktoriserade serviceverkstaden för reparationskostnaderna (reservdelar, arbete och resekostnaderna för underhållspersonalen) under förutsättning att åtkomsten till apparaten i samband med reparationen inte medför orimliga kostnader. Dessa villkor är i överensstämmelse med EU-direktiven (99/44/EG) och lokala tillämpliga standarder och bestämmelser. Utbytta delar tillfaller IKEA.

Hur gör IKEA för att åtgärda problemet?

Serviceföretaget som utses av IKEA undersöker apparaten för att, helt efter eget gottfinnande, fastställa om den omfattas av garantin. Om så är fallet bestämmer serviceföretaget som utses av IKEA eller dess auktoriserade servicepartner, genom de egna serviceverkstäderna, helt efter eget gottfinnande, om den defekta apparaten ska repareras eller bytas ut mot en likadan eller likvärdig apparat.

Vad omfattas inte av garantin?

- Normalt slitage.

- Skador som orsakas medvetet eller vårdslös användning, skador som orsakas av försummelse av bruksanvisningen, av en felaktig installation eller till följd av anslutning till fel matningsspänning, skador som orsakas av kemiska eller elektrokemiska reaktioner, rost, korrosion eller skador som orsakas av vatten, inklusive skador som orsakas av att det förekommer mycket kalk i vattenledningarna, samt skador som orsakas av naturliga väderfenomen.
- Förbrukningsdelar, t.ex. batterier och glödlampor.
- Dekorativa och icke-funktionella delar som inte påverkar den normala användningen av hushållsapparaten, inbegripet repor och färgförändringar.
- Oavsiktliga skador som orsakas av främmande ämnen eller föremål och rengöring eller borttagning av filter, tömningssystem eller diskmedelsfack.
- Skador på delar såsom glaskeramik, tillbehör, korgar för diskgoods och bestick, rör för tillförsel och tömning, packningar, glödlampor och tillhörande skydd, paneler, vred, beklädnader och delar av beklädnader eller höljen om det inte går att bevisa att skadorna har orsakats av produktionsfel.
- Fall då det inte har upptäckts defekter vid besöket av en tekniker.
- Reparationer som inte har utförts av serviceföretaget som utses av IKEA eller en av dess auktoriserade serviceverkstäder eller reparationer vid vilka det inte har använts originalreservdelar.
- Reparationer som orsakas av en felaktig installation eller som inte är i överensstämmelse med specifikationerna.
- Användning av hushållsapparaten för andra ändamål än hushållsbruk, till exempel för professionellt bruk.
- Transportskador. Vid transport som utförs av kunden till den egna bostaden eller en annan leveransadress ansvarar inte IKEA för eventuella skador som uppstår under transporten. Om transporten till kundens leveransadress däremot utförs av IKEA omfattas eventuella transportskador av denna garanti.
- Inledande installationskostnad för apparaten från IKEA. Om ett

serviceföretag som utses av IKEA eller en av dess auktoriserade serviceverkstäder däremot utför en reparation eller ett utbyte av apparaten under garantin, ska serviceföretaget eller serviceverkstaden även stå för återinstallationen av den reparerade apparaten eller installationen av den utbytta apparaten, när så erfordras.

Dessa begränsningar gäller inte för arbeten som utförs fackmässigt av kvalificerad personal och med originalreservdelar för att anpassa apparaten till säkerhetsstandarderna i ett annat EU-land.

Tillämplighet av nationella lagar

IKEA garantin ger kunden specifika lagliga rättigheter i tillägg till de lagstadgade rättigheter som kan variera mellan olika länder. Dessa villkor begränsar däremot inte på något sätt konsumenträttigheterna som fastställs av lokal lagstiftning.

Giltighetsområde

Vid hushållsapparater som köps i ett EU-land och förflyttas till ett annat EU-land erbjuds service utifrån de garantivillkor som är tillämpliga i det nya landet. Skyldighet att erbjuda service utifrån garantivillkoren föreligger endast om apparaten är i överensstämmelse med och har installerats enligt:

- de tekniska specifikationerna i det land i vilket garantianspråk görs;
- säkerhetanvisningarna i bruksanvisningen.

Kundservice för hushållsapparater från IKEA:

Tveka inte att kontakta IKEA Kundservice för att:

1. beställa service under garantiperioden,
2. be om förtydliganden om installationen av hushållsapparaterna från IKEA i de specifika köksskåpen från IKEA. Kundservice erbjuder inte hjälp eller förtydliganden avseende:
 - Installation av kompletta kök från IKEA.
 - Elanslutningar (om apparaten levereras utan kablar och stickkontakter), vattenanslutningar och anslutningar till gassystemet som ska utföras av en auktoriserad servicetekniker.
3. be om förtydliganden om innehållet i bruksanvisningen och specifikationerna för hushållsapparaten från IKEA.

För att garantera bästa möjliga service ber vi dig att noggrant läsa igenom monteringsanvisningarna och/eller bruksanvisningen innan du kontaktar oss.

Hur du kontaktar oss om du behöver vår service



Se sista sidan i denna bruksanvisning för en fullständig lista över IKEA:s auktoriserade serviceverkstäder och motsvarande nationella telefonnummer.

Viktigt! För att garantera en snabbare service rekommenderar vi att du använder de telefonnummer som listas i slutet av denna bruksanvisning. I samband med en serviceförfrågan ska du alltid uppge apparatens specifika koder som anges i denna bruksanvisning. Se till att ha IKEA produktkoden (8 siffror) till handa för den hushållsapparat som serviceförfrågan avser innan du kontaktar oss.

Viktigt! BEHÅLL KVITTOT! Det är inköpsbeviset och det är nödvändigt att visa upp det för att utnyttja garantin. På kvittot står även namnet och koden (med 8 siffror) för varje inköpt hushållsapparat från IKEA.

Behöver du någon annan hjälp?

För övriga frågor som inte berör kundservice för apparaterna, kontakta IKEA:s närmaste försäljningsställe. Vi ber dig att noggrant läsa igenom apparatens dokumentation innan du kontaktar oss.

Öryggisupplýsingar

Lesið þessa handbók vandlega áður en tækið er sett upp og tekið í notkun til að tryggja öryggi notenda og ganga úr skugga um að tækið sé notað á réttan hátt.

Geymið þessar leiðbeiningar ásamt tækinu og látið þær fylgja með ef varan er seld eða flutt til þriðja aðila. Afar mikilvægt er að notendur kynni sér allar notkunar- og öryggiseiginleika tækisins.

Þessi helluborð eru með spankerfi sem uppfylla kröfur staðla um rafsegulviðssamhæfi (EMC) og tilskipunar um rafsegulvið (EMF) og þau ættu ekki að trufla önnur rafeindatæki. Einstaklingar með gangráð og þeir sem nota önnur ígrædd rafeindatæki verða að hafa samráð við lækni eða framleiðanda ígrædda tækisins til að meta hvort það þoli truflun nógu vel.

⚠ Þjálfaður tæknimaður verður að sjá um allar rafmagnstengingar. Lesið kaflann um RAFMAGNSTENGINU áður en rafmagnið er tengt.

Fyrir tæki með rafmagnssnúru verður að koma tenglum eða vírhlutum sem liggja milli snúrufestingar og tengla fyrir með þeim hætti að hægt sé að draga rafmagnaða víra út á undan jarðtengingarvír ef snúran skyldi losna úr festingunni.

- Framleiðandi ber ekki ábyrgð á skemmdum af völdum rangrar eða óviðeigandi uppsetningar.
- Gangið úr skugga um að orkuveitukerfi sé í samræmi við það sem tekið er fram á merkiplötunni inni í vörunni.
- Koma verður útsláttarbúnaðinum fyrir í áfasta kerfinu samkvæmt gildandi reglugerðum um raflagnir.
- Ef um er að ræða tæki í flokki I skal tryggja að aflagjafi heimilisins sé jarðtengdur á réttan hátt.
- Tengjið vöruna við rafmagn með alskauta rofa.

- Ef rafmagnssnúran er skemmd verður framleiðandi, viðurkenndur þjónustuaðili eða sérhæfður tæknimaður að skipta um hana, til að fyllsta öryggis sé gætt.

⚠ VIÐVÖRUN: Fjarlægið hlífðarfilmurnar áður en tækið er sett upp.

- Notið aðeins skráfur og aðrar festingar sem fylgja tækinu.

⚠ VIÐVÖRUN: Ef skráfur eða festingar eru ekki settar upp eins og lýst er í þessum leiðbeiningum getur það valdið hættu á raflosti.

- Börn mega ekki sinna þrifum og reglubundnu viðhaldi nema þau séu undir eftirliti fullorðinna.
- Fylgjast þarf með börnum til að tryggja að þau leiki sér ekki að tækinu.
- Einstaklingar með takmarkaða líkamlega, skynræna eða andlega getu (þ.m.t. börn) eða einstaklingar sem hafa ekki fullnægjandi reynslu og þjálfun mega ekki nota þetta tæki nema þeir séu undir nánu eftirliti og hafi hlotið kennslu í öruggri notkun tækisins af þeim sem bera ábyrgð á öryggi þeirra.
- Börn eldri en 8 ára og einstaklingar með takmarkaða líkamlega, skynræna eða andlega getu eða með ófullnægjandi reynslu og þekkingu mega nota þetta tæki, að því tilskildu að haft sé náðið eftirlit með þeim og þeim hafi verið gefin fyrirmæli um örugga notkun tækisins og þau skilji hætturarnar sem það felur í sér. Ekki má leyfa börnum að leika sér með tækið.

⚠ VIÐVÖRUN: Tækið og óvarðir hlutar þess verða mjög heit við notkun. Gætið þess að snerta alls ekki hitagjafana.

Haldið börnum yngri en 8 ára fjarri tækinu nema þau séu undir stöðugu eftirliti.

VIÐVÖRUN: Ef yfirborðið ber minnstu merki

um sprungumyndun skal slökkva á tækinu til að koma í veg fyrir hættu á raflosti.

- Kveikið ekki á tækinu ef yfirborðið er sprungið eða óslétt.
- Ekki snerta tækið með blautum höndum eða líkama.
- Ekki nota gufuhreinsitæki til að þrifa vöruna.
- Ekki leggja málmhluti eins og hnífa, gaffla, skeiðar og pottlok á yfirborð helluborðsins þar sem þeir gætu ofhitnað.
- Ýtið á rétta stjórnhnappa til að slökkva á helluborðinu eftir notkun, ekki reiða ykkur eingöngu á pönnuskynjarana.

VIÐVÖRUN: Það getur verið hættulegt og valdið eldhættu ef farið er frá helluborðinu þegar eldað er með olíu og feiti. Gerið ALDREI tilraun til þess að slökkva eld með vatni. Þess í stað skal slökkva á tækinu og kæfa eldinn, til dæmis með pottloki eða eldvarnarteppi.

VARÚÐ: Fylgjast verður með eldamenskunni. Stöðugt verður að hafa auga með stuttu eldunarferli.

- Tækið er ekki hannað til að vera gangsett með utanaðkomandi tímastilli eða sérstakri fjarstýringu.

VIÐVÖRUN: Eldhætta: Ekki leggja hluti á eldunaryfirborðið.

- Setja verður tækið upp með þeim hætti að hægt sé að taka það úr sambandi við aflgjafa með tengiopi (3 mm) sem tryggir að tenging rofni alveg við yfirhleðsluaðstæður í III. flokki.
- Tækið má aldrei vera óvarið fyrir veðri (regni, sólarljósi).
- Geymið umbúðaefnið þar sem börn og dýr ná ekki til.
- Gætið þess að stinga tækinu beint í samband við rafmagnsinnstunguna.
- Notið ekki millistykki, fjöltengi eða framlengingarsnúrur til að tengja tækið

við rafmagn.

- Aldrei skal nota tækið í öðrum tilgangi en þeim sem það er hannað fyrir.
- Djúpsteikingarpottar verða að vera undir stöðugu eftirliti þegar þeir eru í notkun: kviknað gæti í olíunni ef hún hitnar of mikið.
- Notið tækið ekki með ytri tímastilli eða aðskilinni fjarstýringu.
- Aldrei má setja tækið upp fyrir aftan hurð, að öðrum kosti gæti það ofhitnað.
- Standið ekki á tækinu, slíkt getur skemmt tækið.
- Ekki má leggja heita potta og pönnur á jaðrana, slíkt getur valdið skemmdum á silíkonþéttunum.

Uppsetning

Í uppsetningarferlinu verður að fara að gildandi lögum, reglum, tilskipunum og stöðlum (lögum og reglum um rafmagnsöryggi, reglugerðum um rétta endurvinnslu o.s.frv.) í landinu þar sem búnaðurinn er notaður!


- Frekari upplýsingar um uppsetninguna er að finna í leiðbeiningunum um samsetningu.
- Notið ekki kísilefni til að þétta milli tækisins og vinnuborðsins.
- Gangið úr skugga um að rýmið fyrir neðan helluborðið sé nægjanlegt fyrir hringrás lofts. Frekari upplýsingar er að finna í leiðbeiningunum um samsetningu.
- Neðsti hluti tækisins getur hitnað mikið. Ef tækið er sett upp fyrir ofan skúffur verður að koma fyrir eldtraustu aðgreiningarspjaldi undir tækinu til að hindra aðgengi að neðri hluta þess. Frekari upplýsingar er að finna í leiðbeiningunum um samsetningu.
- Loftun tækisins verður að vera í samræmi við leiðbeiningar framleiðanda.
- Hafið a.m.k. 28 cm² opnun framan á einingunni þar sem koma á helluborðinu fyrir til að tryggja að loftun tækisins verði fullnægjandi.

Kröfur sem gilda um eldhúsinnréttingar

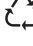
- Ef tækið er fest á yfirborð úr eldfimum efnivið verður að fylgja leiðbeiningarreglum og reglugerðum um lágspennulagnir og brunavarnir ítarlega.
- Nota verður hitapolið lím (sem þolir að lágmarki 85 °C) til að festa íhluti (plastefni og spónlagður viður) á innréttingu. Notkun óhentugra efna og límeftna gæti valdið því að hlutir verpast og losni.
- Notkun skrautlista úr harðviði í kringum borðflötinn aftan við tækið er heimil svo lengi sem lágmarksfjarlægðin samræmist alltaf því sem tilgreint er á teikningum fyrir uppsetningu.
- Þegar enginn ofn er undir helluborðinu verður að koma aðgreiningarspjaldi fyrir undir tækinu samkvæmt leiðbeiningunum um samsetningu.

Umhverfispættir

Förgun tækja til heimilisnota

- Táknið  á vörunni eða á umbúðum hennar gefur til kynna að bannað sé að farga vörunni með venjulegum heimilísúrgangi. Endurvinnslustöð fyrir rafmagns- og rafeindahluti skal sjá um að farga vörunni. Gangið úr skugga um að þessari vöru sé fargað á viðeigandi hátt til að koma í veg fyrir hugsanleg umhverfisspjöll og hugsanlegt heilsutjón sem hlotist gæti af rangri förgun þess. Hafið samband við sveitarfélag, endurvinnslustöð eða verslunina þar sem varan var keypt til að fá ítarlegar upplýsingar um hvernig á að endurvinna þessa vöru.

Förgun á umbúðaeefni

Hægt er að endurvinna efni sem eru merkt með  táknuinu. Fargið umbúðaeefni í þartilgerð endurvinnslulát.

Orkusparnaður

Þú getur sparað orku við daglega eldamennsku ef þú fylgir ábendingunum hér á eftir.

- Notið einungis magnið sem til þarf þegar vatn er hitað upp.
- Setjið ávallt lokin á eldunarílátin þegar því verður við komið.
- Setjið eldunarílátin á eldunarsvæðið áður en kveikt er undir.
- Setjið minni eldunarílát á minni eldunarsvæðin.
- Færið eldunarílátin alveg að miðju eldunarsvæðisins.
- Nýtið afgangsvarmann til að halda mat heitum eða til að bræða mat.

Þrif og umhirða

- Notið ekki hrjúfa svampa, stálull, saltsýru eða aðrar vörur sem gætu rispað eða skemmt yfirborðið.
- Ekki má borða matvæli sem sullast eða safnast upp á yfirborði eða skrauthlutum helluborðsins.
- Slökkvið á tækinu eða takið það úr sambandi við rafmagn áður en viðhaldi er sinnt.
- Þrífið tækið eftir hverja notkun til að koma í veg fyrir að matarleifar brenni fastar við það. Það er mun erfiðara að fjarlægja hörð og ábrennd óhreinindi.
- Fyrir almenn óhreinindi skal nota mjúka tusku eða svamp og viðeigandi hreinsiefni. Fylgið ráðleggingum framleiðandans um hreinsiefni sem má nota. Mælt er með notkun verndandi hreinsiefna.
- Fjarlægið hörð óhreinindi, til dæmis mjólk sem hefur soðið upp úr, á meðan helluborðið er ennþá heitt og notið sköfu sem er ætluð fyrir glerhúðað keramik. Fylgið ráðleggingum framleiðandans um sköfur sem má nota.
- Fjarlægið mat sem inniheldur sykur, til dæmis sultu sem hefur sullast niður við eldamennsku, á meðan helluborðið er ennþá heitt og notið sköfu sem er ætluð fyrir glerhúðað keramik. Ef þetta er ekki gert gætu leifarnar skemmt glerhúðað keramikyfirborðið.
- Fjarlægið plast sem hefur bráðnað á meðan helluborðið er ennþá heitt og notið sköfu sem er ætluð fyrir glerhúðað keramik. Ef þetta er ekki gert gætu leifarnar skemmt glerhúðað keramikyfirborðið.

- Fjarlægjið kalkstein með litlu magni af hreinsiblöndu fyrir kalkstein, til dæmis ediki eða sítrónusafa, þegar helluborðið hefur kólnað. Þrifið borðið svo aftur með rökum klút.
- Skerið hvorki né undirbúið matvæli á yfirborði tækisins og

- gætið þess að missa ekki harða hluti á það. Dragið hvorki þönnur né diska eftir yfirborðinu.
- Notið ekki gufuhreinsibúnað.

Framleiðandi

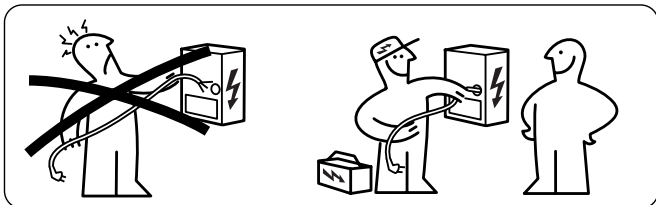
Ikea of Sweden AB - SE - 343 81 Älmhult, Sweden

Rafmagnstenging

VIÐVÖRUN: Viðurkenndur rafvirki skal sjá um allar rafmagnstengingar.

- Kannið hvort málsþenna tækisins sem gefin er upp á merkiplötunni samræmist spennu frá rafveitunnu áður en tækið er tengt. Merkiplatan er staðsett neðan á helluborðinu.
- Notið eingöngu upprunalega varahluti frá varahlutabjónustunni.
- Þetta tæki er ekki búið rafmagnssnúru. Kauptu rétta snúru í sérverslun.
- Ef að snúran er skemmd skal eingöngu skipta henni út fyrir upprunalega snúru. Hafið samband við þjónustuver í verslun IKEA.

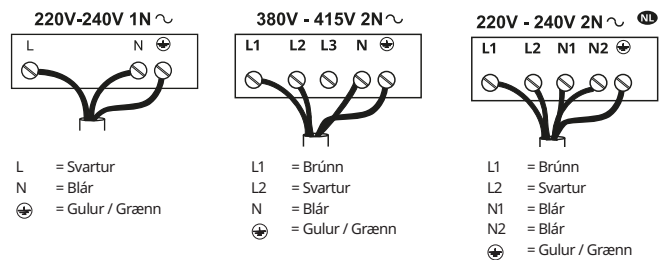
Varúð! Bannað er að sjóða í raflagnirnar!



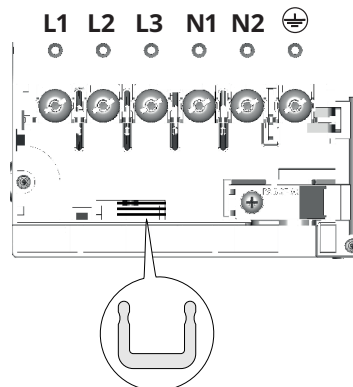
Rafmagnstenging

- Allar rafmagnstengingar skal viðurkenndur fagmaður annast.
- Fylgið tengimyndinni (neðan á vörinni).
- Þetta tæki er með tengingu af Y-gerð og þarfnast tengingu við rafmagn H05VV-Fsnúru. Snúran þarf að hafa lögboðnar ermar. Reglugerð IEC um notkun eins fasa tengingu: rafmagnssnúra 3 x 4 mm², fyrir tveggja fasa tengingu: rafmagnssnúra 4 x 2,5 mm² og fyrir NL-tengingu 5 x 2,5 mm². Ytra þvermál snúru: lág. 8 mm - hámark 12 mm. Vinsamlegast virðið sérstakar innlendar reglur.
- Tengin koma í ljós þegar hlífin er fjarlægð af tengiboxinu.
- Gangið úr skugga um að eiginleikar heimilisrafkerfis (spenna, hámarksafli og straumur) séu samhæfir við tækið.
- Tengid tækið eins og sýnt er á skýringarmyndinni (í samræmi við rafveituspennu og landsbundna staðla).

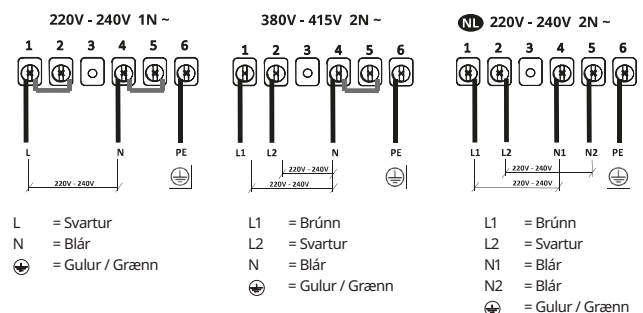
Tengimynd ytra megin



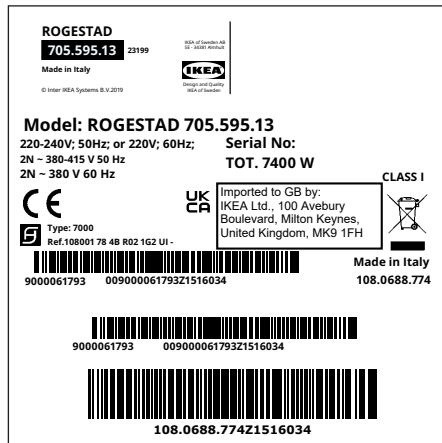
Tengimynd innra megin



Komið þéttunum U fyrir á milli skrúfanna eins og sýnt er á myndinni



Merkiplata



Myndin hér að ofan sýnir merkiplötu tækisins. Raðnúmerið er einkvæmt fyrir hverja vöru fyrir sig. Ágætu viðskiptavinir, gætið þess að festa viðbótarkerkiplötuna við umslag öryggishandbókarinnar á innanverðri vörunni.

Á þann hátt getum við auðkennt nákvæmlega helluborðið sem um ræðir og veitt betri aðstoð ef þess gerist þörf seinna meir. Takk fyrir hjálpina!

ÁBYRGÐ IKEA

Hvað gildir ábyrgð IKEA lengi?

Þessi ábyrgð gildir í fimm (5) ár frá upprunalegum kaupdegi tækisins í IKEA. Upprunaleg kassakvittun er nauðsynleg til að geta sannað kaupin. Ef gert er við tækið á meðan það er í ábyrgð framlengir það ekki ábyrgðartíma tækisins.

Hver sér um þjónustuna?

Þjónustuaðili IKEA veitir þjónustuna í gegnum eigin viðgerðarþjónustu eða í gegnum viðurkennt kerfi samstarfsaðila í þjónustu.

Hvað fellur undir ábyrgðina?

Ábyrgðin nær yfir galla í tækinu sem til eru komnir vegna rangrar smíði eða galla í efni tækisins, frá kaupdegi í IKEA. Þessi ábyrgð gildir eingöngu fyrir heimilisnotkun. Undantekningar eru tilgreindar undir fyrirsögninni „Hvað fellur ekki undir þessa ábyrgð?“ Á ábyrgðartímanum ábyrgjumst við kostnað við að leysa úr vandamálinu, s.s. við viðgerðir, varahluti, vinnu og ferðir, að því gefnu að tækið sé aðgengilegt til viðgerðar án þess að aukakostnaður hljóti af. Um þessa skilmála gildir tilskipun ESB (nr. 99/44/EB) og viðkomandi staðbundnar reglugerðir. Allir íhlutir sem skipt er um verða eign IKEA.

Hvað gerir IKEA til að leysa vandamálið?

IKEA velur þjónustuaðila sem fer yfir vöruna og sker úr um, að eigin ákvörðun, hvort vandamálið fellur undir ábyrgðina. Ef vandamálið reynist falla undir ábyrgðina mun þjónustuaðili IKEA, eða viðurkenndur samstarfsaðili hans í þjónustu, að eigin ákvörðun, annaðhvort gera við gölluðu vöruna eða skipta henni út fyrir sömu eða sambærilega vöru.

Hvað fellur ekki undir þessa ábyrgð?

- Venjulegt slit.
- Skemmdir sem unnar eru viljandi eða óviljandi á tækinu, skemmdir vegna þess að notkunarleiðbeiningum er ekki fylgt, skemmdir af völdum rangrar uppsetningar eða

rangrar rafspennu, skemmdir vegna efna, ryðs, tæringar eða vatnsskemmda, þ. á m. en takmarkast ekki við skemmdir vegna kalkuppsöfnunar í vatnsveitukerfi eða skemmdir vegna óeðlilegra umhverfisskilyrða.

- Rekstrarvörur eins og rafhlöður og ljósaperur.
 - Hlutar vörunnar sem gegna ekki sérstöku hlutverki eða eru til skrauts og hafa ekki áhrif á venjulega notkun tækisins, þ.m.t. rispúr og hugsanlegur litamunur.
 - Skemmdir sem orsakast af utanaðkomandi hlutum eða efnum eða þegar síur, frárennslisrör eða sápuhólf eru þrífín eða stíflur í þeim losaðar.
 - Skemmdir á eftirfarandi hlutum: keramikgleri, fylgihlutum, kórform undir leirtau og hnífapör, að- og frárennslisrörum, þéttum, ljósum og ljósahlífum, skjáum, hnúðum, hlífum og hlífapörtum, nema hægt sé að sanna að skemmdirnar stafi af framleiðslugöllum.
 - Tilvik þar sem engin bilun finnst við skoðun viðgerðarmanns.
 - Þegar viðgerðir fara fram hjá þjónustuaðilum sem IKEA hefur ekki valið og/eða viðurkennt, eða ef notast er við varahluti sem ekki eru upprunalegir.
 - Viðgerðir vegna rangrar uppsetningar eða uppsetningar sem ekki er í samræmi við fyrirmæli.
 - Notkun tækisins annars staðar en á heimilum, þ.e. í atvinnustarfsemi.
 - Skemmdir við flutninga. IKEA ber ekki ábyrgð á skemmdum sem geta orðið ef viðskiptavinur sér um að flytja vöruna á heimili sitt eða á annað heimilisfang. Ef IKEA flytur vöruna heim til viðskiptavinar fellur hugsanlegt tjón við flutninginn hins vegar undir þessa ábyrgð.
 - Kostnaður við uppsetningu tækisins. Ef þjónustuaðili IKEA eða viðurkenndur samstarfsaðili hans gerir við tækið eða skiptir um það samkvæmt skilmálum þessarar ábyrgðar mun þjónustuaðilinn eða samstarfsaðili hans sjá um uppsetningu tækisins, ef með þarf.
- Þessi takmörkun á ekki við um gallalausar uppsetningu sérhæfðs

tæknimanns þar sem notast er við upprunalega varahluti til að laga tækið að tæknilegum öryggiskröfum annars lands innan Evrópusambandsins.

Hvernig landslögin gilda

Ábyrgð IKEA veitir þér tiltekin lagaleg réttindi sem uppfylla eða fara fram úr staðbundnum kröfum. Þessir skilmálar takmarka þó að engu leyti þann neytendarétt sem lýst er í staðbundinni löggjöf.

Gildissvæði

Ef flytja á heimilistæki keypt í einu Evrópusambandslandi til annars lands innan Evrópusambandsins verður þjónustan veitt innan ramma þeirra ábyrgðarskilmála sem almennt gilda í nýja landinu. Skylda til að veita þjónustu innan ramma ábyrgðarinnar er eingöngu fyrir hendi svo fremi að tækið uppfylli og sé uppsett í samræmi við:

- tæknikröfur landsins þar sem ábyrgðarkrafan er lögð fram;
- leiðbeiningar um samsetningu og öryggisupplýsingarnar í notkunarleiðbeiningunum.

Eftirsöluþjónusta IKEA heimilistækja er alltaf til taks:

Ekki hika við að hafa samband við eftirsöluþjónustu IKEA ef þú vilt:

1. óska eftir viðgerð sem þessi ábyrgð nær yfir;
2. óska eftir útskýringum á uppsetningu tiltekins IKEA heimilistækis í eldhúsinnréttingu frá IKEA. Þessi þjónusta er ekki ætluð fyrir fyrirspurnir um:
 - almenna uppsetningu eldhúsinnréttinga frá IKEA;
 - tengingu við rafmagn (ef tækið er afhent án rafmagnssnúru og tengils) eða tengingu við vatn eða gas, þar sem slík vinna skal vera í höndum viðurkennds fagmanns.
3. fá útskýringar á texta notkunarleiðbeininga og fyrirmæla um IKEA heimilistækið.

Til að tryggja að við getum veitt þér eins góða þjónustu og unnt er skaltu lesa leiðbeiningarnar um samsetningu og/eða notkun í þessum bæklingi vandlega áður en þú hefur samband.

Hvernig þú hefur samband ef þig vantar aðstoð



Á öftustu síðu þessarar handbókar er að finna lista yfir alla tengiliði IKEA og símanúmer þeirra í hverju landi.


Mikilvægt! Til að við getum veitt þér skjótari þjónustu ráðleggjum við þér að nota símanúmerin sem fram koma í lok þessarar handbókar. Notaðu alltaf símanúmerin sem fram koma í bæklingi þess tækis sem þú þarft aðstoð með. Áður en þú hringir þarftu að vera með IKEA vörunúmer tækisins (átta tölustafa kóða) við höndina.

Mikilvægt! GEYMDU KASSAKVITTUNINA! Hún er staðfesting á kaupunum og skilyrði þess að ábyrgðin gildi. Athugaðu að á kvittuninni kemur einnig fram IKEA vöruheiti og vörunúmer (átta tölustafa kóði) fyrir hvert keypt tæki.


Þarftu frekari aðstoð?

Ef þú ert með aðrar spurningar sem ekki tengjast eftirsöluþjónustu heimilistækja skaltu hafa samband við þjónustuver næstu verslunar IKEA. Við ráðleggjum þér að lesa fylgigögn tækisins vandlega áður en þú hefur samband.

Informações de segurança

 Para sua segurança e para garantir o funcionamento correto do aparelho, agradecemos que leia com atenção este manual, antes da instalação e colocação em funcionamento. Conserve estas instruções junto do aparelho, mesmo em caso de cedência ou transferência a terceiros. É importante que os utilizadores tenham conhecimento de todas as características de funcionamento e de segurança do aparelho.

Estas placas de cozinha possuem sistemas de indução que cumprem os requisitos das normas sobre compatibilidade eletromagnética (EMC) e da diretiva EMF e não devem interferir com outros dispositivos eletrónicos. As pessoas com pacemaker ou outros implantes eletrónicos devem consultar o seu médico ou o fabricante do dispositivo implantado, para avaliar a sua suscetibilidade a interferências.


 As ligações elétricas devem ser realizadas por um técnico competente. Antes de proceder à ligação elétrica, consulte a secção LIGAÇÃO ELÉTRICA.

Para aparelhos com cabo de alimentação elétrica, os terminais ou a secção dos fios entre o ponto de fixação do cabo e os terminais devem ser dispostos de modo que o condutor sob tensão a montante do fio de terra possa ser puxado para fora, no caso do cabo sair da sua fixação.


- O fabricante declina toda e qualquer responsabilidade por eventuais danos decorrentes da instalação ou utilização incorreta ou imprópria do aparelho.
- Verifique se a tensão da rede elétrica corresponde à indicada na chapa de características fixada no interior do aparelho.
- Os dispositivos de seccionamento devem

ser montados na instalação elétrica fixa, em conformidade com a legislação sobre sistemas de cablagem.

- Para os aparelhos da Classe I, certifique-se de que a rede elétrica doméstica dispõe de um sistema eficaz de ligação à terra.
- Ligue o aparelho à rede elétrica utilizando um interruptor onnipolar.
- Se o cabo de alimentação estiver danificado, deve ser substituído pelo fabricante, por um centro de assistência autorizado ou por um técnico competente, para evitar qualquer risco ou situação perigosa.

 **ADVERTÊNCIA:** Antes de instalar o aparelho, retire as películas de proteção.

- Utilize apenas os parafusos e as ferragens fornecidos com o aparelho.

 **ADVERTÊNCIA:** A não instalação dos parafusos ou dos elementos de fixação como descrito nestas instruções pode acarretar risco de choque elétrico.

- As operações de limpeza e manutenção não devem ser realizadas por crianças, a não ser sob vigilância.
- As crianças devem ser mantidas sob vigilância para impedir que brinquem com o aparelho.
- Este aparelho não deve ser utilizado por pessoas (incluindo crianças) com capacidades físicas, sensoriais ou mentais limitadas ou sem experiência e conhecimento, salvo se cuidadosamente vigiadas e instruídas sobre a utilização segura do aparelho por pessoa responsável pela sua segurança.
- Este aparelho pode ser utilizado por crianças com idade igual ou superior a 8 anos e por pessoas com capacidades físicas, sensoriais ou mentais limitadas ou com experiência e conhecimento insuficientes, desde que sejam cuidadosamente vigiadas

e instruídas sobre a utilização segura do aparelho e os perigos envolvidos. Não deixe as crianças brincar com aparelho.

⚠️ ADVERTÊNCIA: O aparelho e as suas partes acessíveis ficam muito quentes durante a utilização.

Tenha muito cuidado para não tocar nas resistências.

Mantenha afastadas as crianças com menos de 8 de idade, a menos que estejam sob constante vigilância.

ADVERTÊNCIA: Se a superfície estiver danificada, desligue o aparelho para evitar o risco de choque elétrico.

- Não ligue o dispositivo se a superfície estiver rachada ou se houver danos visíveis na espessura do material.
- Não toque no aparelho com as mãos ou com partes do corpo molhadas.
- Não utilize aparelhos a vapor para limpar o produto.
- Não apoie na superfície da placa de cozinha objetos metálicos, tais como facas, garfos, colheres e testos, porque podem ficar quentes.
- Use o comando apropriado para desligar a placa de cozinha após a sua utilização; não confie nos sensores de panela.

ADVERTÊNCIA: É perigoso deixar a placa de cozinha sem vigilância quando se utiliza óleo ou gordura, porque pode surgir uma situação perigosa e deflagrar um incêndio. NUNCA tente apagar as chamas com água: desligue o aparelho e abafe as chamas cobrindo-as, por exemplo, com um testo ou uma manta de incêndio.

ATENÇÃO: O processo de cozedura deve ser mantido sob vigilância. Um processo de cozedura breve deve ser mantido sob constante vigilância.

- O aparelho não foi concebido para ser acionado por um temporizador exterior

ou um sistema de telecomando separado.

ADVERTÊNCIA: Perigo de incêndio: não apoie objetos sobre as superfícies de cozedura.

- O aparelho deve ser instalado de forma a permitir isolá-lo da fonte de alimentação elétrica com uma abertura entre os contactos (3 mm) capaz de assegurar a desconexão completa perante uma sobretensão de categoria III.
- O aparelho nunca deve ser exposto aos agentes atmosféricos (chuva, sol).
- Mantenha as embalagens fora do alcance das crianças e de animais de estimação.
- Certifique-se de que o dispositivo está ligado diretamente à tomada de corrente.
- Não utilize adaptadores, tomadas múltiplas ou fios de extensão para ligar o dispositivo.
- Nunca utilize o aparelho para outros fins que não aqueles para os quais foi concebido.
- As frigideiras devem ser constantemente vigiadas durante o funcionamento, porque as gorduras e os óleos sobreaquecidos são facilmente inflamáveis.
- Não acione o aparelho utilizando um temporizador exterior ou um sistema de telecomando separado.
- O aparelho nunca deve ser instalado atrás de uma porta decorativa, para evitar possíveis sobreaquecimentos.
- Não fique de pé sobre o dispositivo, porque pode danificá-lo.
- Não apoie painéis e frigideiras quentes na borda, porque isso pode danificar as vedações de silicone.

Instalação

O procedimento de instalação tem obrigatoriamente de respeitar as leis, portarias, diretivas e normas (regulamentos de segurança dos sistemas elétricos, reciclagem adequada dos componentes, etc.) em vigor no país de utilização!


- Para mais informações sobre a instalação, consulte as Instruções de montagem.
- Não utilize selante de silicone entre o aparelho e a banca da cozinha.
- Certifique-se de que o espaço debaixo da placa de cozinha é suficiente para a circulação de ar. Consulte as Instruções de montagem.
- O fundo do aparelho pode ficar muito quente. Se o aparelho for instalado por cima de gavetas, certifique-se de que instala debaixo do aparelho um painel de separação ignífugo, para impedir o acesso ao fundo. Consulte as Instruções de montagem.
- A ventilação do aparelho deve estar em conformidade com as instruções do fabricante.
- Crie no bloco de cozinha que deve receber a placa, uma abertura frontal de pelo menos 28 cm², para proporcionar uma ventilação apropriada do produto.

Requisitos do bloco de cozinha

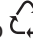
- Se o aparelho for montado em materiais inflamáveis, será necessário respeitar rigorosamente as orientações e normas referentes às instalações de baixa tensão e as normas de prevenção contra incêndios.
- Para as unidades de encastrar, os componentes (de material plástico e madeira folheada) devem ser montados com colas resistentes ao calor (mín. 85 °C): o uso de materiais e colas não apropriados pode causar deformações ou descolamento de componentes.
- É permitida a utilização de perfis de madeira maciça à volta da banca por trás do aparelho, desde que sejam sempre respeitadas as distâncias mínimas indicadas nos desenhos de instalação.
- Se por baixo da placa de cozinha não existir nenhum forno, instale um painel de separação por baixo do aparelho, como indicado nas Instruções de montagem.

Aspetos ambientais

Eliminação de eletrodomésticos

- O símbolo  colocado no produto ou na sua embalagem indica que o produto não deve ser eliminado juntamente com o lixo doméstico. O produto deve ser eliminado num centro especializado para reciclagem de componentes elétricos e eletrónicos. A eliminação correta deste produto contribui para evitar os possíveis efeitos negativos para o meio ambiente e a saúde, que seriam criados pela manipulação imprópria dos seus resíduos.
- Para mais informações sobre como reciclar este produto, contacte as autoridades municipais locais, o serviço local de eliminação de resíduos ou a loja onde foi adquirido o produto.

Eliminação dos materiais de embalagem

Os materiais com o símbolo  são recicláveis. Elimine os materiais de embalagem em contentores próprios para recolha de reciclagem.

Poupança de energia

Pode poupar energia diariamente enquanto cozinha, seguindo as sugestões abaixo.

- Quando aquecer água, utilize apenas a quantidade necessária.
- Se possível, tape sempre as panelas com o respetivo testão.
- Antes de ativar a zona de cozedura, coloque a panela devidamente sobre a placa.
- Coloque as panelas mais pequenas sobre as zonas de cozedura menores.
- Coloque as panelas diretamente no centro da zona de cozedura.
- Utilize o calor residual para manter os alimentos quentes ou para os derreter.

Limpeza e manutenção

- Nunca utilize esponjas abrasivas, palha de aço, ácido clorídrico ou outros objetos que possam riscar ou deixar marcas na superfície do vidro.
- Não consuma os possíveis resíduos de alimentos acidentalmente caídos ou acumulados sobre a superfície e sobre os elementos funcionais ou estéticos da placa de cozinha.
- Desligue o interruptor de alimentação do aparelho ou retire a ficha da tomada de corrente, antes de realizar qualquer serviço de limpeza ou manutenção.
- Limpe o aparelho após cada utilização para evitar que possíveis resíduos de alimentos sejam carbonizados. Os vestígios de sujidade endurecida ou queimada são muito mais difíceis de remover.
- Para remover a sujidade diária, utilize um pano ou uma esponja macia com um detergente apropriado. Siga as recomendações do fabricante relativamente aos detergentes a utilizar. Recomenda-se a utilização de detergentes neutros.
- Remova quaisquer vestígios de sujidade endurecida, como por exemplo leite derramado durante a fervura, com um raspador próprio para superfícies de vitrocerâmica enquanto a placa ainda está quente. Siga as recomendações do fabricante relativamente aos raspadores a utilizar.
- Remova quaisquer vestígios de sujidade endurecida, como por exemplo salpicos de compota durante a cozedura, com um raspador próprio para superfícies de vitrocerâmica enquanto a placa ainda está quente. Não sendo removidos, estes resíduos poderão danificar a superfície de

vitrocerâmica.

- Remova quaisquer resíduos de plástico derretido com um raspador próprio para superfícies de vitrocerâmica enquanto a placa ainda está quente. Não sendo removidos, estes resíduos poderão danificar a superfície de vitrocerâmica.
- Remova as manchas de calcário utilizando uma pequena quantidade de solução anticalcário, como por exemplo vinagre ou sumo de limão, depois da placa de cozinha ter

arrefecido. Em seguida, limpe novamente com um pano húmido.

- Não corte nem prepare alimentos sobre a superfície da placa e não deixe cair objetos duros sobre ela. Não arraste tachos nem louça sobre a superfície.
- Não utilize aparelhos de limpeza a vapor.

Fabricante

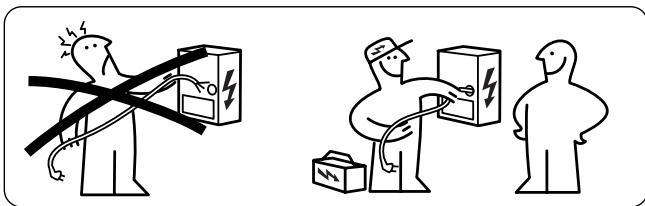
Ikea da Suécia AB - SE - 343 81 Älmhult, Suécia

Ligação elétrica

⚠️ ADVERTÊNCIA: Todas as ligações elétricas devem ser realizadas por um instalador autorizado.

- Antes de efetuar as ligações, certifique-se de que a tensão nominal do aparelho indicada na respetiva placa de dados corresponde à tensão da alimentação de rede. A placa de dados é aplicada no lado inferior da placa de cozinha.
- Sirva-se unicamente de componentes de origem fornecidos pelo serviço pós-venda.
- O aparelho não é dotado de cabo de rede. Adquira o certo junto de um revendedor especializado.
- Se danificado, substitua os cabos de alimentação pelos respetivos cabos de reposição de origem. Contacte o atendimento ao cliente da própria loja do IKEA.

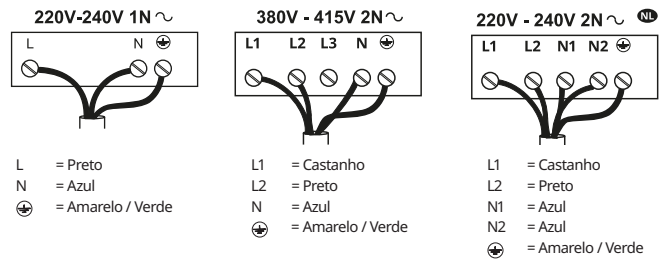
⚠️ Atenção! Não solde os cabos!



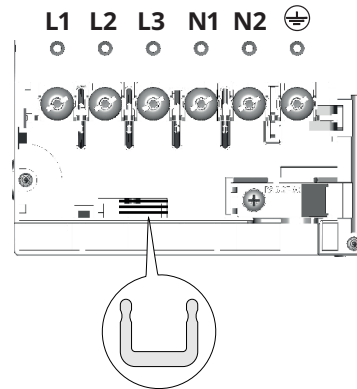
Ligação elétrica

- Siga o esquema de ligação (localizado no lado inferior do produto).
- Este aparelho apresenta uma ligação de tipo “Y” e exige um cabo de alimentação H05VV-F. O cabo necessita de bainhas de terminais obrigatórias. Segundo a norma IEC, utilize para a ligação monofásica: cabo de alimentação de 3 x 4 mm², para a ligação bifásica: cabo de alimentação de 4 x 2,5 mm² e para uma ligação na Holanda: cabo de alimentação de 5 x 2,5 mm². Diâmetro externo do cabo de alimentação: mín 8 mm - máx 12 mm. Queira respeitar as normas nacionais específicas.
- Os terminais de ligação são acessíveis ao remover a tampa da caixa de ligações.
- Verifique se as características da instalação elétrica doméstica (tensão, potência máxima e corrente) são compatíveis com aquelas do aparelho.
- Ligue o aparelho conforme mostrado no esquema (de acordo com as normas de referência para a tensão de rede em vigor no país de instalação).

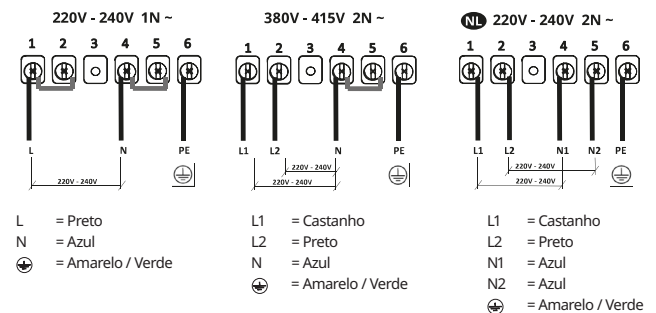
Esquema de ligação do lado da caixa



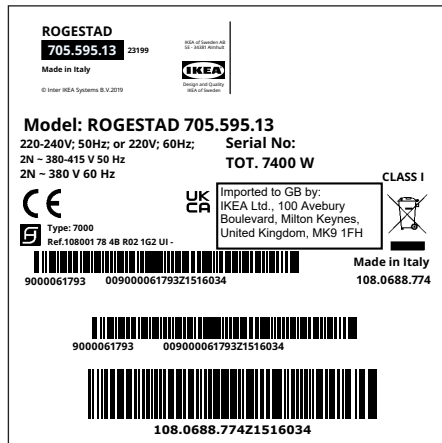
Esquema de ligação do lado do produto



Coloque os shunts entre os terminais conforme figura



Chapa de características



A figura acima mostra a chapa de características do aparelho. O número de série é específico de cada produto. Estimado Cliente, guarde a chapa de características adicional aplicada na capa do Folheto de segurança fornecido dentro do produto.

Desta forma, se precisar da nossa assistência no futuro, poderemos fornecer-lhe um melhor serviço ao identificar com precisão a placa de cozinha adquirida. Obrigado pela colaboração!

GARANTIA IKEA

Qual é a duração da garantia IKEA?

Esta garantia é válida durante cinco (5) anos a contar da data original de compra do aparelho no IKEA. O talão de compra original é indispensável como comprovativo de compra. Eventuais reparações efetuadas no âmbito da garantia não prorrogarão o período de garantia do aparelho.

Quem fornece o serviço de assistência?

A assistência aos clientes será garantida pelo fornecedor de serviços de assistência nomeado pelo IKEA, através da sua organização ou da sua rede de parceiros de assistência autorizados.

O que está coberto por esta garantia?

A garantia cobre as avarias do eletrodoméstico causadas por defeitos de material ou de fabrico, a partir da data da sua compra numa loja IKEA. Esta garantia aplica-se apenas aos eletrodomésticos destinados a uso doméstico. As exceções estão expressamente indicadas no parágrafo intitulado "O que não está coberto por esta garantia". Durante o período de validade da garantia, os custos de reparação (peças sobresselentes, mão de obra e despesas de deslocação do pessoal técnico) serão suportados pelo serviço de assistência, desde que o acesso ao aparelho para o serviço de reparação não acarrete despesas especiais. Estas condições obedecem às diretivas UE (N.º. 99/44/CE) e às normas e regulamentos locais aplicáveis. As peças substituídas passam a ser propriedade do IKEA.

O que fará o IKEA para resolver o problema?

O fornecedor do serviço de assistência que recebeu o encargo do IKEA examinará produto e, à sua discrição, decidirá se o serviço prestado está abrangido pela garantia. Em caso positivo, o fornecedor do serviço de assistência IKEA ou o seu parceiro de assistência autorizado, através dos seus centros de assistência, realizará, à sua discrição exclusiva, a reparação ou substituição do produto defeituoso por outro igual ou do mesmo valor.

O que não está coberto por esta garantia?

- Desgaste causado pelo uso normal do produto.
- Danos provocados deliberadamente ou de negligência, danos causados pelo não respeito das instruções de funcionamento, danos provocados por uma instalação incorreta ou uma ligação a voltagem incorreta, danos provocados por reações químicas ou eletroquímicas, ferrugem, corrosão ou danos causados por água incluindo, mas não só, danos decorrentes do excesso de calcário existente na canalização hídrica e danos causados por fenómenos meteorológicos naturais.
- Consumíveis, incluindo baterias e lâmpadas.
- Peças decorativas e não funcionais que não afetem a utilização normal do eletrodoméstico, incluindo riscos e eventuais alterações de cor.
- Danos acidentais causados por substâncias ou objetos estranhos e pela limpeza ou desobstrução de filtros, sistemas de drenagem ou gavetas de detergente.
- Danos a partes como vitrocerâmica, acessórios, cestos de louça e talheres, tubos de alimentação e drenagem, vedantes, lâmpadas e respetivas coberturas, visores, botões, revestimentos e partes de revestimentos, a não ser que se possa demonstrar que tais danos foram causados por defeitos de produção.
- Casos em que não tenham sido detetadas falhas ou deficiências durante a visita de um técnico.
- Reparções que não tenham sido realizadas pelo fornecedor de serviços nomeado pelo IKEA ou por um seu parceiro autorizado, ou sempre que não tenham sido utilizadas peças não originais.
- Reparções causadas pela instalação incorreta ou não conforme às especificações.
- Utilização do eletrodoméstico em ambiente não doméstico, como por exemplo, para uso profissional.
- Danos de transporte. No caso de ser o cliente a transportar o produto para sua casa ou para outra morada, o IKEA não poderá ser responsabilizada pelos eventuais danos que possa

sofrer durante o transporte. No entanto, se for o IKEA a efetuar a entrega do produto na morada do cliente, os eventuais danos sofridos pelo produto durante o transporte serão cobertos pela presente garantia.

- Custo da instalação inicial do aparelho IKEA. No entanto, se um fornecedor de serviços nomeado pelo IKEA ou um seu parceiro autorizado reparar ou substituir o equipamento ao abrigo da presente garantia, o fornecedor de serviços ou o seu parceiro autorizado deverá reinstalar o equipamento reparado ou instalar o equipamento de substituição, se necessário.

Estas restrições não se aplicam aos trabalhos realizados com competência por pessoal qualificado, utilizando as peças originais para adaptar o aparelho às normas de segurança de outro país da UE.

Aplicabilidade das leis nacionais

Além dos direitos previstos na lei, variáveis de país para país, a garantia IKEA concede ao cliente direitos legais específicos. No entanto, tais condições não limitam, de modo algum, os direitos do consumidor descritos na legislação local.

Área de validade

Para eletrodomésticos adquiridos num país da UE e levados para outro país da UE, os serviços serão fornecidos com base nas condições de garantia aplicáveis no novo país. A obrigação de fornecer o serviço com base nas condições de garantia só existe se o aparelho estiver em conformidade e instalado de acordo com as:

- especificações técnicas do país em que ocorre o pedido de assistência ao abrigo da garantia;
- informações de segurança contidas no manual do Manual de utilização.

Serviço Pós-venda exclusivo para eletrodomésticos IKEA:

Não hesite em contactar o Serviço Pós-venda IKEA para:

1. solicitar assistência ao abrigo da garantia;
2. pedir esclarecimentos sobre a instalação dos eletrodomésticos IKEA nos móveis de cozinha específicos IKEA. O serviço não prestará assistência ou esclarecimentos sobre:
 - instalação de cozinhas IKEA completas;
 - ligações elétricas (se o aparelho for fornecido sem cabos e sem ficha), ligações à rede de água e de gás, porque têm de ser realizadas por um técnico de assistência autorizado.
3. tirar dúvidas sobre o conteúdo do manual de utilização e sobre especificações do eletrodoméstico IKEA.

Para lhe garantir o melhor serviço de assistência, leia com atenção as Instruções de montagem e/ou o Manual de utilização, antes de nos contactar.

Como contactar-nos, se necessitar dos nossos serviços



Consulte a lista completa dos fornecedores de serviços IKEA e dos respetivos números de telefone nacionais, na última página deste manual.

Importante! Para lhe garantir um serviço mais rápido, recomenda-se utilizar os números de telefone indicados no fim deste manual. Para solicitar assistência, indique sempre os códigos específicos do aparelho que pode encontrar neste manual. Antes de nos contactar, certifique-se de que tem à mão o código de artigo IKEA (de 8 dígitos) do eletrodoméstico para o qual necessita de assistência.

Importante! GUARDE O TALÃO DE COMPRA! É o seu comprovativo de compra que vai ter de apresentar para poder


recorrer à garantia. No talão também estão indicados o nome e o código (de 8 dígitos) de cada eletrodoméstico IKEA adquirido.

Necessita de mais ajuda?

Para outras questões não relacionadas com o serviço de assistência dos seus equipamentos, contacte a loja IKEA mais próxima. Recomendamos que leia com atenção a documentação do aparelho, antes de nos contactar.

Información de seguridad

 Para su propia seguridad y para garantizar el correcto funcionamiento del aparato, lea atentamente este manual antes de la instalación y puesta en marcha. Guarde estas instrucciones con el aparato, incluso si se cede o transfiere a terceros. Es importante que los usuarios estén familiarizados con todas las características de funcionamiento y seguridad del aparato. Estas placas de cocción disponen de sistemas de inducción conformes con los requisitos de las Directivas EMC y EMF y no deberían interferir con otros aparatos electrónicos. Los portadores de marcapasos o de otros dispositivos electrónicos deben consultar con su médico o con el fabricante del dispositivo implantado para determinar si es lo suficientemente resistente a las interferencias.


 Las conexiones eléctricas deben ser realizadas por un técnico cualificado. Antes de efectuar la conexión eléctrica, lea la sección CONEXIÓN ELÉCTRICA.

Para los aparatos con cable de alimentación, los bornes o la sección de hilos entre el punto de fijación del cable y los bornes deben disponerse de manera que sea posible extraer el conductor bajo tensión aguas arriba del cable de tierra en caso de que se suelte de su fijación.


- El fabricante no se hace responsable de los daños provocados por una instalación o un uso incorrectos.
- Controle que la alimentación de red coincida con la indicada en la placa de datos fijada en el interior del producto.
- Los dispositivos de seccionamiento deben montarse en la instalación fija de acuerdo con las normas sobre sistemas de cableado.
- Para los aparatos de Clase I, compruebe que la red de alimentación doméstica disponga de un sistema de puesta a tierra

adecuado.


- Conecte el producto a la red eléctrica mediante un interruptor omnipolar.
- Si el cable de alimentación está dañado, para evitar riesgos o situaciones peligrosas, pida su sustitución al fabricante, a un centro de asistencia autorizado o a un técnico cualificado.

 **ADVERTENCIA:** Antes de instalar el aparato, retire la película protectora.

- Utilice solo los tornillos y los demás herrajes suministrados con el aparato.

 **ADVERTENCIA:** No instalar los tornillos o elementos de sujeción según se describe en estas instrucciones puede comportar riesgos de descargas eléctricas.

- La limpieza y el mantenimiento no deben ser llevados a cabo por niños, a menos que sean vigilados por un adulto.
- Vigile siempre a los niños para asegurarse de que no jueguen con el aparato.
- Este aparato no debe ser utilizado por personas (incluidos niños) con capacidades físicas, sensoriales o mentales reducidas o sin experiencia ni conocimientos, a menos que sean vigilados atentamente e instruidos sobre el uso seguro del aparato por parte de una persona responsable de su seguridad.
- Este aparato puede ser utilizado por niños mayores de 8 años y por personas con capacidades físicas, sensoriales o mentales reducidas o con experiencia y conocimiento insuficientes, siempre que sean vigilados atentamente e instruidos sobre el uso seguro del aparato y sobre los peligros que conlleva. No deje que los niños jueguen con el aparato.

 **ADVERTENCIA:** El aparato y sus partes accesibles se calientan mucho durante el uso.

Preste mucha atención en no tocar las resistencias.

Mantenga alejados a los niños menores de 8 años, a menos que estén constantemente vigilados.

ADVERTENCIA: Si la superficie está agrietada, apague el aparato para evitar el riesgo de descargas eléctricas.

- No encienda el aparato si la superficie está agrietada o si hay daños visibles en el espesor del material.
- No toque el aparato con las manos u otras partes del cuerpo húmedas.
- No utilice limpiadores de vapor para limpiar el aparato.
- No apoye objetos metálicos, como cuchillos, tenedores, cucharas y tapas, sobre la superficie de la placa de cocción, ya que pueden sobrecalentarse.
- Después del uso, apague la placa de cocción con el correspondiente mando; no confíe en los sensores de presencia de recipiente.

ADVERTENCIA: Cuando cocine con grasa o aceite, esté siempre pendiente de la placa de cocción ya que estos productos se inflaman con facilidad y pueden ser peligrosos. No intente apagar NUNCA las llamas con agua; apague el aparato y sofoque las llamas, por ejemplo, con una tapa o una manta ignífuga.

ATENCIÓN: El proceso de cocción debe vigilarse siempre. Si el proceso de cocción es corto, debe vigilarse ininterrumpidamente.

- El aparato no está diseñado para que se ponga en marcha mediante un temporizador externo ni con un sistema de mando a distancia separado.

ADVERTENCIA: Peligro de incendio: no apoye ningún objeto sobre las zonas de cocción.

- El aparato se debe instalar de modo que

se pueda desconectar de la alimentación eléctrica con una abertura entre los contactos (3 mm) que garantice la desconexión completa en condiciones de sobrecarga de categoría III.

- El aparato nunca debe estar expuesto a agentes atmosféricos (lluvia, sol).
- Mantenga todo el material de embalaje fuera del alcance de los niños y de animales domésticos.
- Asegúrese de que el aparato esté conectado directamente a una toma de corriente.
- No utilice adaptadores, tomas múltiples o prolongaciones para conectar el aparato.
- No utilice nunca el aparato para fines distintos para los que ha sido diseñado.
- Las freidoras deben vigilarse constantemente durante el uso: el aceite sobrecalentado puede encenderse.
- No ponga en marcha el aparato con un temporizador externo ni con un sistema de mando a distancia separado.
- El aparato no debe instalarse nunca detrás de una puerta decorativa para evitar que se sobrecaliente.
- No se suba encima del aparato ya que se puede dañar.
- No apoye recipientes en el borde de la placa de cocción porque se podrían dañar las juntas de silicona.

Instalación

La instalación debe realizarse de acuerdo con las leyes, ordenanzas, directivas y normas en vigor en el país de uso del aparato (reglamentos sobre seguridad de las instalaciones eléctricas, correcto reciclado de los componentes, etc.).


- Para más información sobre la instalación, consulte las instrucciones de montaje.
- No aplique sellador de silicona entre el aparato y la encimera.
- Compruebe que el espacio debajo de la placa de cocción sea suficiente para garantizar una correcta circulación del aire. Consulte las instrucciones de montaje.
- La parte inferior del aparato puede calentarse mucho. Si el aparato se instala sobre cajones, monte un panel de separación ignífugo debajo del aparato para evitar que se pueda acceder a la parte inferior. Consulte las instrucciones de montaje.
- La ventilación del aparato debe cumplir con las instrucciones del fabricante.
- Cree una abertura frontal de al menos 28 cm² en el mueble de la cocina que debe alojar la placa de cocción para permitir su correcta ventilación.

Requisitos del mueble de la cocina

- Si el aparato se monta sobre materiales inflamables, es necesario respetar escrupulosamente las directrices y los reglamentos relativos a las instalaciones de baja tensión así como las normas de prevención de incendios.
- Para las unidades empotradas, los componentes (de plástico y madera chapada) deben montarse con adhesivos resistentes al calor (mín. 85 °C): el uso de materiales y adhesivos inadecuados puede causar deformaciones y desenganches de los componentes.
- Se permite aplicar perfiles de madera maciza alrededor de la encimera detrás del aparato, siempre que se respeten las distancias mínimas indicadas en los esquemas de instalación.
- Si debajo de la placa de cocción no hay un horno, monte un panel de separación debajo del aparato, según se ilustra en las instrucciones de montaje.

Aspectos medioambientales

Eliminación de electrodomésticos

- El símbolo  en el producto o en su embalaje indica que este producto no debe desecharse junto a los residuos domésticos normales. El producto se debe desechar en un punto de recogida especializado en el reciclaje de componentes eléctricos y electrónicos. Al asegurarse de que este producto se deseché correctamente, ayudará a evitar las posibles consecuencias negativas para el medioambiente y la salud que podrían derivarse de su eliminación inadecuada. Para obtener información más detallada sobre cómo reciclar este producto, póngase en contacto con el ayuntamiento, el servicio local de eliminación de residuos o la tienda donde compró el producto.

Eliminación de los materiales de embalaje

Los materiales con el símbolo  son reciclables. Elimine los materiales de embalaje en los correspondientes contenedores de reciclaje.

Ahorro de energía

Los siguientes consejos la ayudarán a ahorrar energía al cocinar cada día.

- Cuando caliente agua, utilice solo la cantidad que necesite.
- Si es posible, tape siempre los recipientes con una tapa adecuada.
- Coloque el recipiente en la zona de cocción antes de encenderla.
- Coloque los recipientes pequeños en las zonas de cocción pequeñas.
- Coloque el recipiente directamente en el centro de la zona de cocción
- Utilice el calor residual para mantener calientes los alimentos o derretirlos.

Limpieza y mantenimiento

- No use nunca esponjas abrasivas, lana de acero, ácido clorhídrico ni otros productos que puedan rayar la superficie o dejar marcas en ella.
- No consuma los alimentos que caigan accidentalmente o se depositen sobre la superficie o sobre los elementos funcionales o estéticos de la placa de cocción.
- Apague o desconecte el aparato de la red eléctrica antes de efectuar cualquier operación de limpieza o mantenimiento.
- Limpie el aparato después de cada uso para evitar que los residuos de comida se carbonicen. Limpiar la suciedad incrustada o carbonizada requiere más esfuerzo.
- Para limpiar la suciedad diaria, use un paño suave o una esponja y un detergente adecuado. Siga los consejos del fabricante con respecto a los detergentes que debe utilizar. Se aconseja usar detergentes neutros.
- Quite los restos de suciedad incrustada, por ejemplo, la leche derramada durante la ebullición, con un rascador adecuado para vitrocerámica mientras la placa de cocción aún está caliente. Siga los consejos del fabricante con respecto a los rascadores que debe utilizar.
- Quite los restos de alimentos que contienen azúcar, por ejemplo mermelada derramada durante la cocción, con un

rascador adecuado para vitrocerámica mientras la placa de cocción aún está caliente. Estos residuos, si no se quitan, pueden dañar la superficie de vitrocerámica.

- Quite cualquier resto de plástico fundido con un rascador adecuado para vitrocerámica mientras la placa de cocción aún está caliente. Estos residuos, si no se quitan, pueden dañar la superficie de vitrocerámica.
- Quite las manchas de cal con una pequeña cantidad de

solución anticál, por ejemplo, vinagre o zumo de limón, una vez que la placa de cocción se haya enfriado. Luego, limpie de nuevo con un paño húmedo.

- No corte ni prepare alimentos sobre la superficie ni deje caer objetos duros sobre ella. No arrastre recipientes ni vajilla sobre la superficie.
- No utilice limpiadores de vapor.

Fabricante

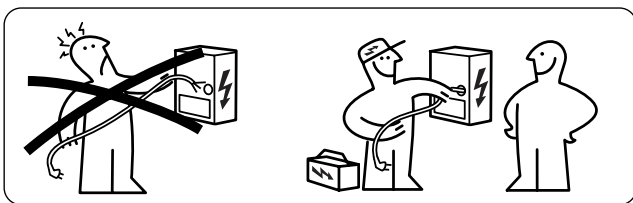
Ikea of Sweden AB - SE - 343 81 Älmhult, Suecia

Conexión eléctrica

⚠ ADVERTENCIA: Todas las conexiones eléctricas deben ser realizadas por un instalador autorizado.

- Antes de realizar las conexiones, verifique que la tensión nominal del aparato que figura en la respectiva placa de datos se corresponda a la tensión de alimentación de red. La placa de datos está colocada en el lado inferior de la placa de cocción.
- Servicios únicamente de componentes originales proporcionados por el servicio de repuestos.
- El aparato no está equipado con un cable de alimentación. Compre el adecuado en un distribuidor especializado.
- Si se dañan, sustituya los cables de alimentación con los respectivos cables de repuesto originales. Contáctese con el call centre del negocio IKEA.

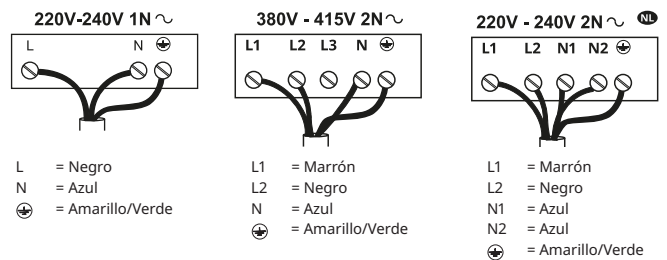
⚠ ¡Atención! ¡No efectúe soldaduras en los cables!



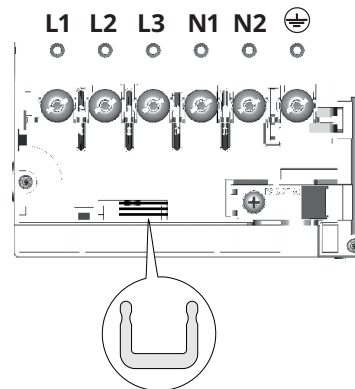
Conexión eléctrica

- Siga el esquema de conexión (ubicado del lado inferior del producto).
- Este aparato tiene una conexión tipo "Y" y requiere un cable de alimentación H05VWF. El cable necesita manguitos terminales obligatorios. Según la normativa IEC, utilice para la conexión monofásica: cable de alimentación de 3 x 4 mm², para la conexión bifásica: cable de alimentación de 4 x 2,5 mm² y para la conexión en Holanda: cable de alimentación de 5 x 2,5 mm². Diámetro externo del cable de alimentación: mín 8 mm - máx 12 mm. Por favor, respete las normativas nacionales específicas.
- Para acceder a los bornes de conexión, hay que quitar la tapa de la caja de conexiones.
- Compruebe que las características de la instalación eléctrica doméstica (tensión, potencia máxima y corriente) sean compatibles con las del aparato.
- Conecte el aparato como se muestra en el esquema (de acuerdo con las normas de referencia para la tensión de red vigentes a nivel nacional).

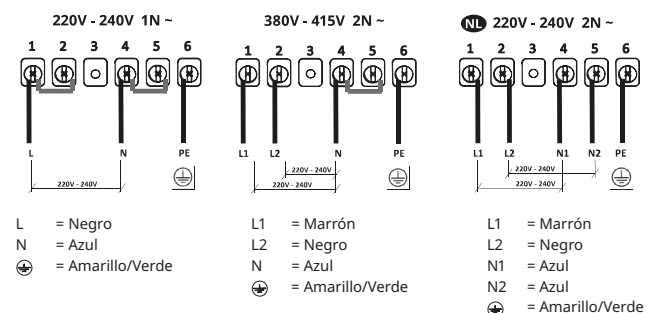
Esquema de conexión del lado de la caja



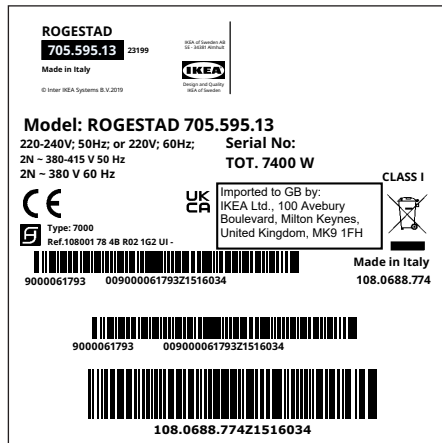
Esquema de conexión del lado del producto



Monte shunts U entre los bornes tal como se ilustra en las siguientes figuras.



Placa de datos



La imagen anterior muestra la placa de datos del aparato. El número de serie es específico para cada producto. Estimado cliente, le rogamos que conserve la placa de datos adicional aplicada en la cubierta del manual de seguridad entregado con el producto.

En caso de necesitar nuestra asistencia en el futuro, esto nos permitirá ayudarle mejor a identificar la placa de cocción que ha comprado. ¡Gracias por su colaboración!

GARANTÍA IKEA

¿Por cuánto tiempo es válida la garantía IKEA?

Esta garantía es válida por cinco (5) años desde la fecha original de compra del equipo en IKEA. El recibo de compra original se requiere como prueba de compra. Una reparación realizada bajo garantía no extiende el período de garantía del equipo.

¿Quién provee el servicio de asistencia?

La asistencia a los clientes será garantizada por el proveedor de servicios designado por IKEA a través de su propia organización o por su red de partners de asistencia autorizados.

¿Qué cubre la garantía?

La garantía cubre cualquier defecto de materiales o de fabricación del electrodoméstico y es válida a partir de la fecha de compra del electrodoméstico en una tienda IKEA. La garantía es válida solamente para los electrodomésticos de uso doméstico. Las excepciones se describen en la sección "¿Qué no cubre la garantía?". Durante el periodo de validez de la garantía, los costes de reparación (repuestos, mano de obra y desplazamiento del personal técnico) correrán a cargo del servicio de asistencia, siempre y cuando el acceso al aparato para la intervención de reparación no conlleve gastos adicionales. Estas condiciones son conformes a las directivas UE (Núm. 99/44/CE) y a las normas y disposiciones locales vigentes. Las piezas sustituidas pasarán a ser propiedad de IKEA.

¿Cómo interviene IKEA para resolver el problema?

El proveedor del servicio de asistencia designado por IKEA examinará el producto y decidirá, a su discreción, si cumple con la cobertura de garantía de IKEA. Si es así, el proveedor de servicio de asistencia IKEA o su partner de asistencia autorizado, mediante sus centros de asistencia, decidirá, a su sola discreción, si repara el producto defectuoso o lo reemplaza por un producto igual o equivalente.

¿Qué no cubre la garantía?

- Desgaste normal.

- Daños provocados expresamente o debidos a negligencia, daños provocados por el incumplimiento de las instrucciones de funcionamiento, por una instalación incorrecta o por una conexión con voltaje erróneo, daños provocados por reacciones químicas o electroquímicas, oxidación o corrosión o daños provocados por el agua, incluidos, entre otros, los daños provocados por la presencia de un exceso de cal en el agua y daños provocados por fenómenos atmosféricos y naturales.
- Piezas sujetas a desgaste como, por ejemplo, baterías y bombillas.
- Partes decorativas y no funcionales que no afecten el uso normal del electrodoméstico como, por ejemplo, arañazos y variaciones de color.
- Daños accidentales causados por sustancias o cuerpos extraños y limpieza o desatasco de los filtros, sistemas de desagüe o cajetines de detergente.
- Daños a partes como vitrocerámica, accesorios, cestos para vajillas y cubertería, tubos de alimentación y de descarga, guarniciones, bombillas y sus protecciones, pantallas, perillas, revestimientos y partes de revestimientos o recintos, salvo cuando se pueda demostrar que el daño ha sido causado por un defecto de fabricación.
- Cuando no se detecten defectos durante la visita de un técnico.
- Reparaciones no llevadas a cabo por el proveedor de servicios designado por IKEA o reparaciones no realizadas por un partner de asistencia autorizado o efectuadas con repuestos no originales.
- Reparaciones causadas por una instalación incorrecta o que no cumple con las especificaciones.
- Uso del electrodoméstico en un entorno no doméstico como, por ejemplo, para uso profesional.
- Daños de transporte. En el caso del transporte realizado por el cliente a su propio domicilio u otra dirección, IKEA no se hace responsable de los daños ocasionados durante el transporte. Sin embargo, si el transporte al domicilio del cliente lo realiza IKEA, cualquier daño debido al transporte estará cubierto por

esta garantía.

- Coste inicial de la instalación del equipo IKEA. Sin embargo, si un proveedor de servicios designado por IKEA o un partner de asistencia autorizado realizan una reparación o sustitución del aparato bajo garantía, se requerirá que estos reinstalen el electrodoméstico reparado o sustituido, si es necesario.

Estas restricciones no se aplican al trabajo realizado de manera profesional por personal cualificado y con el uso de repuestos originales para adaptar el equipo a las normas de seguridad de otro país de la UE.

Aplicabilidad de las leyes nacionales

La garantía IKEA otorga al cliente derechos legales específicos además de los derechos previstos por la ley, que pueden variar según los países. Sin embargo, estas condiciones no limitan en modo alguno los derechos del consumidor definidos en las leyes locales.

Alcance

Para los electrodomésticos comprados en un país de la UE y que se transfieren a otro país de la UE, los servicios se prestarán en las condiciones de garantía aplicables en el otro país. La obligación de proporcionar el servicio de acuerdo con las condiciones de garantía solo será vinculante si el equipo es conforme y se instala de conformidad con:

- las especificaciones técnicas del país en el que se requiere la aplicación de la garantía;
- la información de seguridad contenida en el Manual del usuario.

Servicio de Asistencia Postventa dedicado a los electrodomésticos de IKEA:

No dude en ponerse en contacto con el Servicio de Asistencia Postventa de IKEA para:

1. solicitar asistencia en garantía;
2. solicitar información sobre la instalación de los electrodomésticos IKEA en los muebles de cocina específicos IKEA. El servicio no proporcionará asistencia o aclaraciones sobre:
 - instalación de cocinas completas IKEA;
 - conexiones eléctricas (si el equipo se suministra sin cables y conectores), conexiones hidráulicas y conexiones a la instalación de gas, las cuales deben ser realizada por un técnico de asistencia autorizado.
3. pedir información sobre el contenido del manual de usuario y las especificaciones del electrodoméstico IKEA.

Para garantizarle la mejor asistencia, lea las instrucciones de montaje y/o el manual del usuario antes de ponerse en contacto con nosotros.

Cómo ponerse en contacto con nosotros si necesita nuestros servicios



Consulte la lista completa de proveedores de servicios de IKEA con sus números de teléfono en la última página de este manual.

¡importante! Para garantizar un servicio más rápido, se recomienda que utilice los números de teléfono que aparecen al final de este manual. Para solicitar asistencia, tome como referencia los códigos específicos del equipo que se encuentran en este manual. Antes de ponerse en contacto con nosotros, asegúrese de tener a mano el código de producto IKEA (8 dígitos) correspondiente al electrodoméstico para el que necesita asistencia.

¡importante! ¡GUARDE SU TIQUE DE COMPRA! Es la prueba de compra y debe mostrarlo para poder utilizar la garantía. En el tique se indica el nombre y el código (8 dígitos) del electrodoméstico IKEA que usted ha comprado.

¿Necesita más ayuda?

Para más información no relacionada con el servicio de asistencia para los equipos, póngase en contacto con la tienda IKEA más cercana. Por favor, lea detenidamente la documentación del equipo antes de contactarnos.

Πληροφορίες για την ασφάλεια

i Για τη δική σας ασφάλεια και για να εξασφαλίσετε τη σωστή λειτουργία της συσκευής, παρακαλούμε να διαβάσετε με προσοχή τις παρούσες οδηγίες πριν την εγκατάσταση και τη θέση σε λειτουργία. Φυλάσσετε αυτές τις οδηγίες μαζί με τη συσκευή, ακόμα και σε περίπτωση μεταβίβασης σε τρίτους. Είναι σημαντικό οι χρήστες να γνωρίζουν όλα τα χαρακτηριστικά λειτουργίας και ασφάλειας της συσκευής.

Αυτές οι μονάδες εστιών διαθέτουν επαγωγικά συστήματα που ανταποκρίνονται στις απαιτήσεις των οδηγιών EMC και EMF και δεν πρέπει να δημιουργούν παρεμβολές με άλλα ηλεκτρονικά συστήματα. Οι χρήστες βηματοδοτών ή άλλων εμφυτευμένων ηλεκτρονικών συσκευών πρέπει να συμβουλευονται τον ιατρό τους ή τον κατασκευαστή της εμφυτευμένης συσκευής, προκειμένου να εκτιμήσουν σε ποιο βαθμό αυτή επηρεάζεται από τις παρεμβολές.

! Οι ηλεκτρικές συνδέσεις πρέπει να πραγματοποιούνται από εξειδικευμένο τεχνικό. Πριν την ηλεκτρική σύνδεση, διαβάστε την ενότητα ΗΛΕΚΤΡΙΚΗ ΣΥΝΔΕΣΗ.

Για τις συσκευές με καλώδιο τροφοδοσίας, οι ακροδέκτες ή η διατομή των αγωγών μεταξύ της στερέωσης του καλωδίου και των ακροδεκτών πρέπει να είναι τοποθετημένοι έτσι ώστε να επιτρέπουν την αφαίρεση του αγωγού υπό τάση ανάντη του καλωδίου γείωσης σε περίπτωση που προεξέχει από τη στερέωση.

- Ο κατασκευαστής δεν μπορεί να θεωρηθεί υπεύθυνος για ενδεχόμενες ζημιές που οφείλονται σε ακατάλληλη εγκατάσταση ή χρήση.
- Βεβαιωθείτε ότι η τροφοδοσία του δικτύου αντιστοιχεί στην τιμή που αναγράφεται στην πινακίδα χαρακτηριστικών που είναι

στερεωμένη στο εσωτερικό του προϊόντος.

- Τα συστήματα διακοπής πρέπει να εγκατασταθούν στη μόνιμη εγκατάσταση σύμφωνα με τη νομοθεσία για τις εγκαταστάσεις καλωδίωσης.
- Για τις συσκευές Κλάσης I, βεβαιωθείτε ότι το οικιακό δίκτυο τροφοδοσίας είναι κατάλληλα γειωμένο.
- Συνδέστε το προϊόν στο ηλεκτρικό δίκτυο χρησιμοποιώντας πολυπολικό διακόπτη.
- Αν το καλώδιο τροφοδοσίας έχει φθαρεί, πρέπει να αντικαθίσταται από τον κατασκευαστή, από το εξουσιοδοτημένο Σέρβις ή από εξειδικευμένο τεχνικό προκειμένου να αποφεύγονται οποιεσδήποτε καταστάσεις κινδύνου.

! **ΠΡΟΕΙΔΟΠΟΙΗΣΗ:** Πριν εγκαταστήσετε τη συσκευή, αφαιρέστε τις προστατευτικές μεμβράνες.

- Χρησιμοποιείτε μόνο τις βίδες και τα άλλα σιδερένια εξαρτήματα που συνοδεύουν τη συσκευή.

! **ΠΡΟΕΙΔΟΠΟΙΗΣΗ:** Η μη τοποθέτηση των βιδών και των συστημάτων στερέωσης όπως περιγράφεται στις παρούσες οδηγίες, μπορεί να προκαλέσει ηλεκτροπληξία.

- Ο καθαρισμός και η συντήρηση δεν πρέπει να εκτελούνται από παιδιά, εκτός εάν επιβλέπονται από έναν ενήλικα.
- Τα παιδιά πρέπει να επιβλέπονται ώστε να εξασφαλιστεί ότι δεν παίζουν με τη συσκευή.
- Αυτή η συσκευή δεν πρέπει να χρησιμοποιείται από άτομα (συμπεριλαμβανομένων των παιδιών) με μειωμένες ψυχικές ή διανοητικές ικανότητες, ή από άτομα χωρίς πείρα και επαρκή γνώση, εκτός εάν ελέγχονται και εκπαιδεύονται στην ασφαλή χρήση της συσκευής από άτομα που ευθύνονται για την ασφάλειά τους.
- Αυτή η συσκευή μπορεί να χρησιμοποιηθεί

από παιδιά ηλικίας άνω των 8 ετών και από άτομα με μειωμένες ψυχικές ή διανοητικές ικανότητες, ή από άτομα χωρίς πείρα και επαρκή γνώση, αρκεί να επιβλέπονται και εκπαιδεύονται στην ασφαλή χρήση της συσκευής και στους κινδύνους που απορρέουν από αυτή. Μην αφήνετε τα παιδιά να παίζουν με τη συσκευή.

⚠️ ΠΡΟΕΙΔΟΠΟΙΗΣΗ: Η συσκευή και τα ακάλυπτα μέρη αποκτούν πού υψηλές θερμοκρασίες κατά τη χρήση.

Προσέξτε να μην αγγίξετε τις αντιστάσεις. Μην αφήνετε να πλησιάσουν παιδιά ηλικίας κάτω των 8 ετών, εκτός και αν επιτηρούνται συνεχώς.

ΠΡΟΕΙΔΟΠΟΙΗΣΗ: Αν η επιφάνεια έχει ραγίσει, σβήστε τη συσκευή για να αποφύγετε τον κίνδυνο ηλεκτροπληξίας.

- Μην ανάβετε τη συσκευή αν η επιφάνεια έχει ραγίσει ή υπάρχουν εμφανείς βλάβες στο πάχος του υλικού.
- Μην αγγίζετε τη συσκευή με βρεγμένα χέρια ή μέρη του σώματος.
- Μην χρησιμοποιείτε ατμοκαθαριστές για τον καθαρισμό του προϊόντος.
- Μην ακουμπάτε στην επιφάνεια της μονάδας εστιών μεταλλικά αντικείμενα όπως μαχαίρια, πιρούνια, κουτάλια και καπάκια, καθώς μπορούν να υπερθερμανθούν.
- Χρησιμοποιείτε το ειδικό χειριστήριο για να σβήσετε τη μονάδα εστιών μετά τη χρήση. Μην εμπιστεύεστε τους αισθητήρες των σκευών.

ΠΡΟΕΙΔΟΠΟΙΗΣΗ: Είναι επικίνδυνο να μην επιβλέπετε τη μονάδα εστιών όταν χρησιμοποιείτε λάδι ή λίπη, γιατί μπορεί να δημιουργηθούν καταστάσεις κινδύνου και να προκληθεί πυρκαγιά. Μην επιχειρείτε ΠΟΤΕ να σβήσετε τις φλόγες με νερό, αλλά σβήστε τη συσκευή και σκεπάστε τις φλόγες για παράδειγμα με ένα καπάκι ή με μια πυρίμαχη κουβέρτα.

ΠΡΟΣΟΧΗ: Το μαγείρεμα πρέπει να

επιτηρείται. Ένα σύντομο μαγείρεμα πρέπει να επιτηρείται συνεχώς.

- Η συσκευή δεν έχει σχεδιαστεί για να τίθεται σε λειτουργία με εξωτερικό χρονοδιακόπτη ή με εξωτερικό σύστημα τηλεχειρισμού.

ΠΡΟΕΙΔΟΠΟΙΗΣΗ: Κίνδυνος πυρκαγιάς: μην ακουμπάτε αντικείμενα στην επιφάνεια μαγειρέματος.

- Η συσκευή πρέπει να εγκατασταθεί κατά τρόπο ώστε να επιτρέπεται η αποσύνδεσή της από την ηλεκτρική τροφοδοσία μέσω διακόπτη με άνοιγμα μεταξύ των επαφών (3 mm) που να διασφαλίζει την πλήρη αποσύνδεση σε συνθήκες υπερφόρτωσης κατηγορίας III.
- Η συσκευή ποτέ δεν πρέπει να εκτίθεται στους ατμοσφαιρικούς παράγοντες (βροχή, ήλιο).
- Φυλάσσετε τις συσκευασίες μακριά από παιδιά και οικιακά ζώα.
- Βεβαιωθείτε ότι η συσκευή είναι συνδεδεμένη απευθείας στην πρίζα του ρεύματος.
- Μην χρησιμοποιείτε αντάπτορες, πολύπριζα ή προεκτάσεις για να συνδέσετε τη συσκευή.
- Ποτέ μην χρησιμοποιείτε τη συσκευή για σκοπούς διαφορετικούς από εκείνους για τους οποίους έχει σχεδιαστεί.
- Οι φριτζές πρέπει να επιτηρούνται συνεχώς όταν χρησιμοποιούνται: το καυτό λάδι μπορεί να πάρει φωτιά.
- Μην χρησιμοποιείτε τη συσκευή με εξωτερικό χρονοδιακόπτη ή με εξωτερικό σύστημα τηλεχειρισμού.
- Η συσκευή ποτέ δεν πρέπει να εγκαθίσταται πίσω από διακοσμητική πόρτα, έτσι ώστε να αποφεύγεται η υπερθέρμανσή της.
- Μην ανεβαίνετε πάνω στη συσκευή, γιατί μπορεί να υποστεί ζημιά.
- Μην ακουμπάτε κατσαρόλες και τηγάνια στο άκρο, γιατί μπορεί να προκληθεί ζημιά στις συνδέσεις σιλικόνης.

Εγκατάσταση

Για τη διαδικασία εγκατάστασης είναι υποχρεωτική η τήρηση της νομοθεσίας, των διατάξεων, των οδηγιών και των κανόνων (κανονισμοί για την ασφάλεια των ηλεκτρολογικών εγκαταστάσεων, σωστή ανακύκλωση των υλικών κ.λπ.) που ισχύουν στη χώρα χρήσης!


- Για περισσότερες πληροφορίες σχετικά με την εγκατάσταση, συμβουλευθείτε τις οδηγίες τοποθέτησης.
- Μην χρησιμοποιείτε σφραγιστικό σιλικόνης μεταξύ της συσκευής και της επιφάνειας εργασίας.
- Βεβαιωθείτε ότι ο χώρος κάτω από τη μονάδα εστιών είναι επαρκής για την κυκλοφορία του αέρα. Συμβουλευθείτε τις οδηγίες τοποθέτησης.
- Το κάτω μέρος της συσκευής μπορεί να αναπτύξει πολύ υψηλή θερμοκρασία. Αν η συσκευή είναι εγκατεστημένη πάνω από συρτάρια, βεβαιωθείτε ότι έχει τοποθετηθεί πυρίμαχο κάλυμμα διαχωρισμού κάτω από τη συσκευή για να εμποδίζεται η πρόσβαση στο κάτω μέρος. Συμβουλευθείτε τις οδηγίες τοποθέτησης.
- Ο αερισμός της συσκευής πρέπει να ανταποκρίνεται στις οδηγίες του κατασκευαστή.
- Δημιουργήστε ένα εμπρός άνοιγμα τουλάχιστον 28 cm² στο επίπλο της κουζίνας στο οποίο θα τοποθετηθεί η μονάδα εστιών για να επιτρέπεται ο σωστός αερισμός του προϊόντος.

Απαιτήσεις του επίπλου κουζίνας

- Αν η συσκευή είναι τοποθετημένη πάνω σε εύφλεκτα υλικά, πρέπει να τηρούνται αυστηρά οι οδηγίες και οι κανονισμοί που αφορούν τις εγκαταστάσεις χαμηλής τάσης και οι κανόνες πυρασφαλείας.
- Για τις εντοιχιζόμενες μονάδες, τα εξαρτήματα (υλικά από πλαστικό και ξύλο με καπλαμά) πρέπει να τοποθετούνται με πυρίμαχες κόλλες (ελάχ. 85 °C): η χρήση ακατάλληλων υλικών και κόλλας μπορεί να προκαλέσει παραμορφώσεις ή αποκολλήσεις των εξαρτημάτων.
- Επιτρέπεται η χρήση προφίλ από μασίφ ξύλο γύρω από την επιφάνεια εργασίας πίσω από τη συσκευή, υπό τον όρο ότι οι ελάχιστες αποστάσεις να ανταποκρίνονται πάντα με τις υποδείξεις των σχεδίων εγκατάστασης.
- Αν δεν υπάρχει φούρνος κάτω από τη μονάδα εστιών, εγκαταστήστε ένα κάλυμμα διαχωρισμού κάτω από τη συσκευή σύμφωνα με τις οδηγίες τοποθέτησης.

Περιβαλλοντικά θέματα

Διάθεση των ηλεκτρικών συσκευών

- Το σύμβολο  πάνω στο προϊόν ή πάνω στη συσκευασία του υποδεικνύει ότι το προϊόν δεν πρέπει να διατίθεται μαζί με τα συνηθισμένα οικιακά απορρίμματα. Το προϊόν προς διάθεση πρέπει να παραδίδεται σε ένα εξειδικευμένο κέντρο ανακύκλωσης των ηλεκτρικών και ηλεκτρονικών συσκευών. Φροντίζοντας για τη σωστή διάθεση αυτού του προϊόντος, συμβάλλετε στην αποφυγή πιθανών αρνητικών επιπτώσεων για το περιβάλλον και την υγεία, που μπορεί να οφείλονται σε ακατάλληλη διάθεση. Για λεπτομερέστερες πληροφορίες σχετικά με την ανακύκλωση αυτού του προϊόντος, απευθυνθείτε στο Δήμο, στην τοπική υπηρεσία συλλογής απορριμμάτων ή στο κατάστημα από το οποίο αγοράσατε το προϊόν.

Διάθεση των υλικών συσκευασίας

Τα υλικά με το σύμβολο  είναι ανακυκλώσιμα. Τα υλικά συσκευασίας πρέπει να διατίθεται στους ειδικούς κάδους ανακύκλωσης.

Εξοικονόμηση ενέργειας

Μπορείτε να εξοικονομήτε καθημερινά ενέργεια κατά το μαγείρεμα, ακολουθώντας τις παρακάτω συστάσεις.

- Όταν ζεσταίνετε το νερό, να χρησιμοποιείτε μόνο την απαραίτητη ποσότητα.
- Αν είναι εφικτό, να καλύπτετε πάντα τα σκεύη με το καπάκι.
- Πριν ανάψετε τη ζώνη μαγειρέματος, τοποθετήστε το σκεύος.
- Τοποθετείτε τα πιο μικρά σκεύη στις πιο μικρές ζώνες μαγειρέματος.
- Τοποθετείτε τα σκεύη απευθείας στο κέντρο της ζώνης μαγειρέματος.
- Χρησιμοποιείτε την υπολειπόμενη θερμότητα για να διατηρήσετε ζεστά τα τρόφιμα ή να τα λιώσετε.

Καθαρισμός και συντήρηση

- Μην χρησιμοποιείτε ποτέ σκληρά σφουγγαράκια, σύρμα, υδροχλωρικό οξύ ή άλλα προϊόντα που μπορούν να χαράξουν ή να αφήσουν σημάδια στην επιφάνεια.
- Μην καταναλώνετε ενδεχόμενα υπολείμματα τροφής που έχουν πέσει ή συσσωρευτεί πάνω στην επιφάνεια και στα λειτουργικά ή διακοσμητικά στοιχεία της μονάδας εστιών.
- Σβήνετε ή αποσυνδέετε τη συσκευή από το ηλεκτρικό δίκτυο πριν από οποιαδήποτε επέμβαση καθαρισμού ή συντήρησης.
- Καθαρίζετε τη συσκευή μετά από κάθε χρήση για να αποφύγετε την απανθράκωση των υπολειμμάτων τροφών. Είναι πολύ πιο δύσκολο να αφαιρέσετε ξεραμένες ή καμένες βρωμιές.
- Για να αφαιρέσετε την καθημερινή βρωμιά, χρησιμοποιήστε ένα μαλακό πανί ή ένα σφουγγάρι με το κατάλληλο απορρυπαντικό. Τηρείτε τις οδηγίες του κατασκευαστή όσον αφορά τα απορρυπαντικά που πρέπει να χρησιμοποιείτε. Συνιστάται η χρήση ουδέτερων απορρυπαντικών.
- Καθαρίζετε τις ξεραμένες βρωμιές, π.χ. γάλα που ξεχείλισε κατά τον βρασμό, με μια ξύστρα για κεραμικές εστίες όσο η μονάδα εστιών είναι ακόμα ζεστή. Τηρείτε τις οδηγίες του κατασκευαστή όσον αφορά τις ξύστρες που πρέπει να χρησιμοποιείτε.
- Καθαρίζετε τα υπολείμματα τροφών που περιέχουν ζάχαρη, π.χ. λεκέδες βρασμένης μαρμελάδας, με μια ξύστρα για κεραμικές εστίες όσο η μονάδα εστιών είναι ακόμα ζεστή.

Αυτά τα υπολείμματα, αν δεν τα καθαρίσετε, μπορούν να προκαλέσουν φθορά στην κεραμική επιφάνεια.

- Αφαιρείτε τυχόν υπολείμματα λιωμένου πλαστικού με μια κατάλληλη ξύστρα για κεραμικές εστίες όσο η μονάδα εστιών είναι ακόμα ζεστή. Αυτά τα υπολείμματα, αν δεν τα καθαρίσετε, μπορούν να προκαλέσουν φθορά στην κεραμική επιφάνεια.
- Αφαιρείτε τις κηλίδες αλάτων χρησιμοποιώντας μικρή

ποσότητα καθαριστικού για άλατα, π.χ. ξύδι ή χυμό λεμονιού, αφού κρυώσει η μονάδα εστιών. Στη συνέχεια καθαρίστε και πάλι με ένα υγρό πανί.

- Μην κόβετε και μην ετοιμάζετε τα τρόφιμα πάνω στην επιφάνεια και αποφύγετε τις πτώσεις σκληρών αντικειμένων. Μην σέρνετε κατσαρόλες ή άλλα σκεύη πάνω στην επιφάνεια.
- Μην χρησιμοποιείτε ατμοκαθαριστές,

Κατασκευαστής

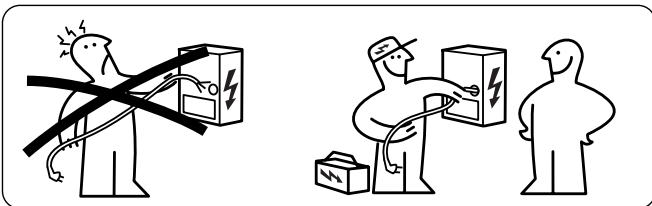
Ikea of Sweden AB - SE - 343 81 Älmhult, Σουηδία

Ηλεκτρική σύνδεση

ΠΡΟΕΙΔΟΠΟΙΗΣΗ: Όλες οι ηλεκτρικές συνδέσεις πρέπει να πραγματοποιούνται από εγκεκριμένο εγκαταστάτη.

- Προτού εκτελέσετε τις συνδέσεις, επαληθεύστε ότι η ονομαστική τάση της συσκευής που αναφέρεται στη σχετική πινακίδα στοιχείων αντιστοιχεί στην τάση της τροφοδοσίας του δικτύου. Η πινακίδα τεχνικών χαρακτηριστικών βρίσκεται στο κάτω μέρος της μονάδας εστιών.
- Χρησιμοποιείτε μόνο γνήσια ανταλλακτικά που προμηθεύεστε από το τμήμα ανταλλακτικών.
- Η συσκευή δεν διαθέτει καλώδιο δικτύου. Προμηθευτείτε το σωστό καλώδιο από εξειδικευμένη επιχείρηση.
- Εάν τα καλώδια τροφοδοσίας υποστούν ζημιά, αντικαταστήστε τα με αντίστοιχα ανταλλακτικά καλώδια που είναι γνήσια. Επικοινωνήστε με το τηλεφωνικό κέντρο του καταστήματος IKEA της περιοχής σας.

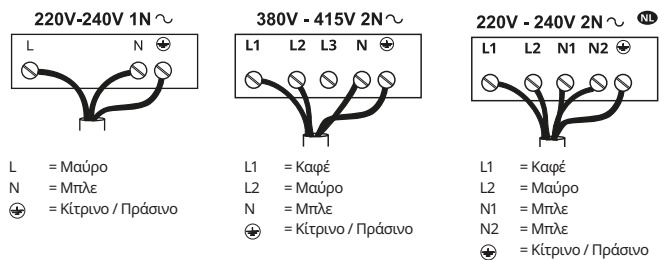
Προσοχή! Δεν επιτρέπονται συγκολλήσεις στα καλώδια!



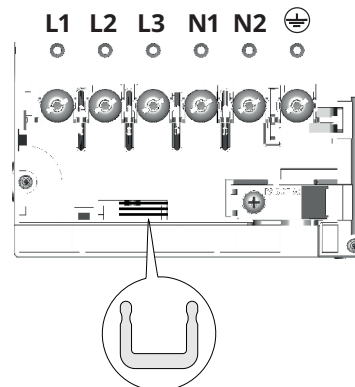
Ηλεκτρική σύνδεση

- Ακολουθήστε το διάγραμμα συνδεσμολογίας (που βρίσκεται στην κάτω πλευρά του προϊόντος).
- Η συσκευή αυτή διαθέτει σύνδεσμο τύπου «Y» και απαιτεί καλώδιο τροφοδοσίας H05VV-F. Το καλώδιο χρειάζεται υποχρεωτικά ακροχιτνία. Σύμφωνα με τον κανονισμό IEC για τη μονοφασική σύνδεση θα πρέπει να χρησιμοποιείται: καλώδιο τροφοδοσίας 3 x 4 mm², για τη διφασική σύνδεση: καλώδιο τροφοδοσίας 4 x 2,5 mm² και για σύνδεση στην Ολλανδία: καλώδιο τροφοδοσίας 5 x 2,5 mm². Εξωτερική διάμετρος του καλωδίου τροφοδοσίας: ελάχ. 8 mm - μέγ. 12 mm. Θα πρέπει να τηρούνται οι σχετικοί εθνικοί κανονισμοί.
- Οι ακροδέκτες σύνδεσης είναι προσβάσιμοι αφαιρώντας το κάλυμμα του κιβωτίου σύνδεσης.
- Βεβαιωθείτε ότι τα χαρακτηριστικά της οικιακής ηλεκτρικής εγκατάστασης (τάση, μέγιστη ισχύς και ένταση) είναι συμβατά με τα χαρακτηριστικά της συσκευής.
- Συνδέστε τη συσκευή σύμφωνα με τις υποδείξεις στο σχεδιάγραμμα (σύμφωνα με τους ισχύοντες εθνικούς κανονισμούς αναφοράς για την τάση του δικτύου).

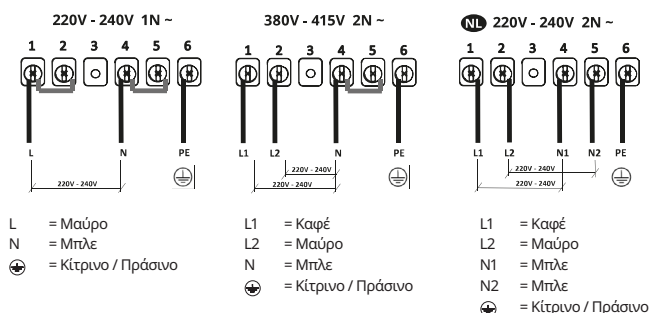
Διάγραμμα σύνδεσης στην πλευρά του σπιτιού



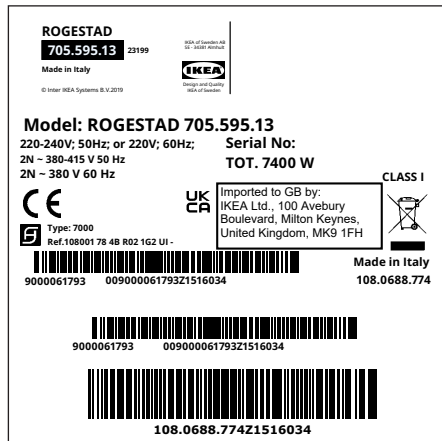
Διάγραμμα σύνδεσης στην πλευρά του προϊόντος



Τοποθετήστε τους διακλαδωτήρες  μεταξύ των ακροδεκτών όπως στην εικόνα



Πινακίδα χαρακτηριστικών



Η παραπάνω εικόνα εμφανίζει την πινακίδα χαρακτηριστικών της συσκευής.

Ο αριθμός σειράς είναι αποκλειστικός για κάθε προϊόν. Αγαπητέ Πελάτη, παρακαλούμε να φυλάξετε την πινακίδα χαρακτηριστικών που υπάρχει στο εξώφυλλο των Οδηγιών ασφαλείας που θα βρείτε στο εσωτερικό του προϊόντος.

Με αυτό τον τρόπο θα μπορέσουμε να σας εξυπηρετήσουμε καλύτερα ταυτοποιώντας με ακρίβεια τη μονάδα εστίων που αγοράσατε, σε περίπτωση που στο μέλλον χρειαστείτε την υποστήριξή μας.

Σας ευχαριστούμε για τη συνεργασία!

ΕΓΓΥΗΣΗ ΙΚΕΑ

Για πόσο χρόνο ισχύει η εγγύηση ΙΚΕΑ;

Αυτή η εγγύηση ισχύει για πέντε (5) χρόνια από την ημερομηνία αγοράς της συσκευής από το ΙΚΕΑ. Η ταμειακή απόδειξη είναι απαραίτητη ως απόδειξη αγοράς. Η επισκευές που πραγματοποιούνται στο πλαίσιο της εγγύησης δεν παρατείνουν την περίοδο εγγύησης της συσκευής.

Ποιος παρέχει την τεχνική υποστήριξη;

Η τεχνική υποστήριξη των πελατών παρέχεται από τον πάροχο υπηρεσιών που ορίζει η ΙΚΕΑ μέσω της οργάνωσής της ή του δικτύου εξουσιοδοτημένων εταίρων υποστήριξης.

Τι καλύπτει η εγγύηση;

Η εγγύηση καλύπτει ενδεχόμενα ελαττώματα που αφορούν τα υλικά ή/και την κατασκευή της ηλεκτρικής συσκευής και αρχίζει να ισχύει από την ημερομηνία αγοράς της ηλεκτρικής συσκευής από ένα σημείο πώλησης ΙΚΕΑ. Η εγγύηση ισχύει μόνο για ηλεκτρικές συσκευές που προορίζονται για οικιακή χρήση. Οι εξαιρέσεις περιγράφονται στην παράγραφο "Τι δεν καλύπτει η εγγύηση". Κατά την περίοδο ισχύος της εγγύησης, το κόστος επισκευής (ανταλλακτικά, εργατικά και μετακινήσεις του τεχνικού προσωπικού) θα καλύπτονται από την υπηρεσία υποστήριξης, εφόσον η πρόσβαση στη συσκευή για την επέμβαση επισκευής δεν απαιτεί υπερβολικά υψηλό κόστος. Οι όροι αυτοί συμμορφούνται με τις οδηγίες της ΕΕ (Αρ. 99/44/ΕΚ) και με τους ισχύοντες τοπικούς κανονισμούς. Τα εξαρτήματα που αντικαθίστανται παραμένουν στην ιδιοκτησία της ΙΚΕΑ.

Πώς επεμβαίνει η ΙΚΕΑ για την επίλυση του προβλήματος;

Ο πάροχος της υπηρεσίας υποστήριξης που ορίζει η ΙΚΕΑ θα εξετάσει το προϊόν και θα αποφασίσει, κατά την αδιαπραγμάτευτη κρίση του, αν αυτό καλύπτεται από την εγγύηση. Στην περίπτωση αυτή, ο πάροχος της υπηρεσίας υποστήριξης της ΙΚΕΑ ή ένας εξουσιοδοτημένος εταίρος υποστήριξης, μέσω των εξουσιοδοτημένων κέντρων τους, θα

φροντίσει, κατά την αδιαπραγμάτευτη κρίση του, να επισκευάσει το ελαττωματικό προϊόν ή να το αντικαταστήσει με ίδιο ή ίδιας αξίας προϊόν.

Τι δεν καλύπτει η εγγύηση;

- Φυσιολογική φθορά.
- Βλάβες που προκαλούνται σκοπίμως ή που οφείλονται σε αμέλεια, βλάβες που οφείλονται στη μη τήρηση των οδηγιών χρήσης, σε λανθασμένη εγκατάσταση ή σύνδεση σε ακατάλληλη τάση τροφοδοσίας, βλάβες που προκαλούνται από χημικές ή ηλεκτροχημικές αντιδράσεις, σκουριά, διάβρωση ή βλάβες που οφείλονται στο νερό, συμπεριλαμβανομένων εκείνων που προκαλούνται από υπερβολικά υψηλή συγκέντρωση αλάτων στους αγωγούς ύδρευσης, καθώς και βλάβες που οφείλονται σε ατμοσφαιρικά και φυσικά φαινόμενα.
- Εξαρτήματα που υπόκεινται σε φθορά, όπως μπαταρίες και λαμπτήρες.
- Διακοσμητικά και μη λειτουργικά εξαρτήματα που δεν επηρεάζουν την ομαλή χρήση της ηλεκτρικής συσκευής, όπως χαρακίδες και αλλοιώσεις χρώματος.
- Ακούσιες βλάβες που οφείλονται σε ουσίες ή ξένα σώματα, σε καθαρισμό ή ξεβούλωμα φίλτρων, συστημάτων αποχέτευσης ή θηκών απορρυπαντικού.
- Βλάβες σε εξαρτήματα όπως κεραμικά, αξεσουάρ, καλάθια για πιάτα και μαχαιροπίρουνα, σωλήνες τροφοδοσίας και αποχέτευσης, λάστιχα, λαμπτήρες και καπάκια, καλύμματα, πόμολα, επενδύσεις και τμήματα επενδύσεων, εκτός και αν μπορεί να αποδειχθεί ότι οι βλάβες αυτές οφείλονται σε κατασκευαστικές αστοχίες.
- Περιπτώσεις κατά τις οποίες δεν προκύπτουν ελαττώματα κατά την επίσκεψη του τεχνικού.
- Επισκευές που δεν πραγματοποιούνται από τον πάροχο υπηρεσίας που ορίζει η ΙΚΕΑ ή από εξουσιοδοτημένο εταίρο

υποστήριξης ή επισκευές στις οποίες χρησιμοποιήθηκαν μη γνήσια ανταλλακτικά.

- Επισκευές που οφείλονται σε λανθασμένη εγκατάσταση ή σε εγκατάσταση που δεν ανταποκρίνεται στις προδιαγραφές.
- Χρήση της ηλεκτρικής συσκευής σε μη οικιακό χώρο, όπως για επαγγελματική.
- Βλάβες που οφείλονται στη μεταφορά. Σε περίπτωση μεταφοράς από τον πελάτη στην κατοικία του ή σε άλλο χώρο, η IKEA δεν μπορεί να θεωρηθεί υπεύθυνη για ενδεχόμενες βλάβες που προκλήθηκαν κατά τη μεταφορά. Ωστόσο, εάν η μεταφορά στην κατοικία του πελάτη πραγματοποιηθεί από την IKEA, οι ενδεχόμενες βλάβες από τη μεταφορά καλύπτονται από την παρούσα εγγύηση.
- Κόστος πρώτης εγκατάστασης της συσκευής IKEA. Ωστόσο, εάν ο πάροχος της υπηρεσίας που ορίζει η IKEA ή ο εξουσιοδοτημένος εταίρος υποστήριξης πραγματοποιήσει επισκευή ή αντικατάσταση της συσκευής στο πλαίσιο της εγγύησης, ο πάροχος ή ο εξουσιοδοτημένος εταίρος υποστήριξης μερμούν και για την επανεγκατάσταση της επισκευασμένης ή της νέας συσκευής, εάν είναι αναγκαία.

Οι περιορισμοί αυτοί δεν εφαρμόζονται σε εργασίες που πραγματοποιούνται σύμφωνα με τους κανόνες της τέχνης από εξειδικευμένο προσωπικό και με τη χρήση γνήσιων ανταλλακτικών για την προσαρμογή της συσκευής στους κανονισμούς ασφαλείας άλλης χώρας της ΕΕ.

Εφαρμογή της εθνικής νομοθεσίας

Η εγγύηση της IKEA παρέχει στον πελάτη ειδικά νομικά δικαιώματα πλην εκείνων που ορίζει η νομοθεσία και διαφέρουν ανάλογα με τη χώρα. Ωστόσο, οι όροι αυτοί δεν περιορίζουν κατά κανένα τρόπο τα δικαιώματα του καταναλωτή που ορίζει η τοπική νομοθεσία.

Περιοχή ισχύος

Για τις ηλεκτρικές συσκευές που πωλούνται σε χώρα της ΕΕ και μεταφέρονται σε άλλη χώρα της ΕΕ, οι υπηρεσίες παρέχονται σύμφωνα με τους όρους εγγύησης που ισχύουν στη χώρα προορισμού. Η υποχρέωση παροχής της υπηρεσίας σύμφωνα με τους όρους της εγγύησης ισχύει μόνον αν η συσκευή και η εγκατάστασή της συμμορφούνται με:

- τους τεχνικούς κανονισμούς της χώρας στην οποία ζητείται η εφαρμογή της εγγύησης,
- τις πληροφορίες για την ασφάλεια που περιλαμβάνονται στις Οδηγίες χρήσης.

Υπηρεσία υποστήριξης πελατών για τις ηλεκτρικές συσκευές IKEA:

Μη διστάζετε να απευθυνθείτε στην υπηρεσία Υποστήριξης Πελατών της IKEA για:

1. να ζητήσετε υποστήριξη επωφελούμενοι της εγγύησης,
2. να ζητήσετε διευκρινήσεις όσον αφορά την εγκατάσταση των ηλεκτρικών συσκευών IKEA στα ειδικά έπιπλα κουζίνας της IKEA. Η υπηρεσία δεν παρέχει υποστήριξη ή οδηγίες όσον αφορά:
 - την εγκατάσταση πλήρων κουζινών IKEA,
 - ηλεκτρικές συνδέσεις (εάν η συσκευή διατίθεται χωρίς καλώδια ή φics), υδραυλικές συνδέσεις και συνδέσεις στην εγκατάσταση αερίου που πρέπει να γίνουν από εξουσιοδοτημένο τεχνικό του σέρβις.
3. διευκρινήσεις σχετικά με το περιεχόμενο των οδηγιών χρήσης και τα χαρακτηριστικά της ηλεκτρικής συσκευής IKEA.

Για την καλύτερη εξυπηρέτησή σας, παρακαλούμε διαβάστε προσεκτικά τις οδηγίες εγκατάστασης ή/και τις οδηγίες χρήσης πριν απευθυνθείτε στην υπηρεσία.

Πώς να επικοινωνήσετε μαζί μας όταν είναι αναγκαία η παρέμβασή μας



Συμβουλευτείτε τον πλήρη κατάλογο παρόχων υπηρεσιών IKEA με τους αριθμούς τηλεφώνου της χώρας σας στην τελευταία σελίδα του παρόντος φυλλαδίου.


Σημαντικό! Για ταχύτερη εξυπηρέτηση, συνιστάται να χρησιμοποιείτε τους αριθμούς τηλεφώνου του καταλόγου στο τέλος του παρόντος φυλλαδίου. Για να ζητήσετε την επέμβαση του σέρβις, σημειώστε πρώτα τους κωδικούς της συσκευής που αναγράφονται στο παρόν φυλλάδιο. Πριν επικοινωνήσετε μαζί μας, βεβαιωθείτε ότι έχετε πρόχειρο τον οκταψήφιο κωδικό προϊόντος IKEA της ηλεκτρικής συσκευής για την οποία ζητάτε υποστήριξη.

Σημαντικό! ΦΥΛΑΞΤΕ ΤΗΝ ΑΠΟΔΕΙΞΗ ΑΓΟΡΑΣ! Η επίδειξη της απόδειξης αγοράς είναι αναγκαία για την παροχή της εγγύησης. Στην απόδειξη αγοράς αναγράφονται επίσης η ονομασία και ο οκταψήφιος κωδικός της κάθε ηλεκτρικής συσκευής IKEA.


Χρειάζεστε άλλη βοήθεια;

Για περισσότερες πληροφορίες που δεν αφορούν την υπηρεσία υποστήριξης για τις συσκευές, απευθυνθείτε στο πλησιέστερο σημείο πώλησης IKEA. Πριν επικοινωνήσετε μαζί μας, σας παρακαλούμε να διαβάσετε προσεκτικά το φυλλάδιο της συσκευής.

Veiligheidsinformatie

 Lees voor uw eigen veiligheid en om een correcte werking van het apparaat te garanderen eerst deze handleiding aandachtig door, alvorens het apparaat te installeren en te gebruiken. Bewaar deze instructies bij het apparaat, ook wanneer u het verplaatst of verkoopt. Gebruikers moeten volledig op de hoogte zijn van de werking en de veiligheidsfuncties van het apparaat.

Deze kookplaten hebben inductiesystemen die voldoen aan de eisen van de EMC- en EMF-richtlijnen en mogen niet interfereren met andere elektronische apparaten. Draggers van pacemakers of andere elektronische systemen dienen contact op te nemen met hun arts of met de producent van het implantaat om er de gevoeligheid voor interferenties van te beoordelen.


 De elektrische aansluitingen dienen door een vakkundig elektricien tot stand te worden gebracht. Lees het deel **ELEKTRISCHE AANSLUITING** alvorens de elektrische aansluiting uit te voeren.

Bij toestellen met een netsnoer moeten de klemmen of het deel van de draden tussen het bevestigingspunt van de kabel en de klemmen zo worden geplaatst dat de onder spanning staande geleider vóór de aardingskabel naar buiten kan worden gehaald als hij uit zijn bevestiging loskomt.


- De fabrikant is niet aansprakelijk voor eventuele schade als gevolg van een onjuiste installatie of oneigenlijk gebruik.
- Controleer of de netvoeding overeenstemt met de netvoeding die op het typeplaatje aan de binnenkant van het product staat vermeld.
- Er moeten lastscheiders in de vaste installatie worden geïnstalleerd in overeenstemming met de normen over

bedradingssystemen.

- Controleer voor apparaten van klasse I of het elektriciteitsnet in uw woning over een goede aarding beschikt
- Sluit het product op het elektriciteitsnet aan met een meerpolige schakelaar.
- Laat een beschadigd netsnoer vervangen door de producent, een erkend servicecentrum of een vakkundige monteur om risico's of gevaarlijke situaties te voorkomen.

 **WAARSCHUWING:** Verwijder de beschermfolie alvorens het apparaat te installeren.

- Gebruik alleen de meegeleverde schroeven en andere kleinijzerwaren.

 **WAARSCHUWING:** Indien de schroeven of bevestigingssysteem niet worden geïnstalleerd zoals in deze aanwijzingen is beschreven, bestaat het gevaar voor elektrische schokken.

- Reiniging en onderhoud mogen niet worden uitgevoerd door kinderen, tenzij zij onder toezicht staan van een volwassene.
- Kinderen moeten worden gecontroleerd om er zeker van te zijn dat ze niet met het apparaat spelen.
- Dit apparaat mag niet worden gebruikt door personen (inclusief kinderen) met een lichamelijke, zintuiglijke of geestelijke beperking of zonder ervaring en kennis, tenzij ze onder toezicht staan en worden geïnstrueerd over een veilig gebruik van het apparaat door een persoon die verantwoordelijk is voor hun veiligheid.
- Het apparaat mag worden gebruikt door kinderen ouder dan 8 jaar en door personen met een lichamelijke, zintuiglijke of geestelijke beperking of met onvoldoende ervaring en kennis, mits ze onder toezicht staan en goed geïnstrueerd zijn over een veilig gebruik van het apparaat

en de gevaren die ermee samenhangen.

Laat kinderen niet met het apparaat spelen.

⚠ WAARSCHUWING: Het apparaat en de toegankelijke delen worden heet tijdens het gebruik.

Zorg ervoor de verwarmingselementen niet aan te raken.

Houd kinderen jonger dan 8 jaar uit de buurt, tenzij ze constant onder toezicht staan.

WAARSCHUWING: Als het oppervlak barsten vertoont, moet het apparaat worden uitgeschakeld om het risico op elektrische schokken te voorkomen.

- Schakel het apparaat niet in als het oppervlak gebarsten is of als er zichtbare schade is in de dikte van het materiaal.
- Raak het apparaat niet aan met natte handen of lichaamsdelen.
- Gebruik geen stoomapparaten om het product te reinigen.
- Plaats geen metalen voorwerpen zoals messen, vorken, lepels en deksels op het oppervlak van de kookplaat, omdat deze oververhit kunnen raken.
- Gebruik de speciale bediening om de kookplaat na gebruik uit te schakelen; vertrouw niet op de sensoren van de pannen.

WAARSCHUWING: Het is gevaarlijk om de kookplaat onbeheerd achter te laten bij gebruik van olie of vet, omdat er een gevaarlijke situatie kan ontstaan en er brand kan uitbreken. Probeer NOOIT eventuele vlammen met water te doven, maar zet het apparaat uit en smoor de vlammen, bijvoorbeeld door ze met een deksel of een branddeken af te dekken.

LET OP: Het kookproces moet onder toezicht plaatsvinden. Een kort kookproces moet constant worden bewaakt.

- Het apparaat is niet ontworpen om met een externe timer of met een apart afstandsbedieningssysteem te worden

ingeschakeld.

WAARSCHUWING: Brandgevaar: leg geen voorwerpen op de kookvlakken.

- Het apparaat moet zo worden geïnstalleerd dat het kan worden losgekoppeld van de elektrische voeding met een meerpolige schakelaar met een openingsafstand tussen de contacten (3 mm) die een complete loskoppeling garandeert bij overbelasting van categorie III.
- Het apparaat mag nooit aan weersinvloeden worden blootgesteld (regen, zon).
- Houd de verpakking buiten het bereik van kinderen en huisdieren.
- Zorg ervoor dat het apparaat rechtstreeks op het stopcontact is aangesloten.
- Gebruik geen adapters, stekkerdozen of verlengsnoeren om het apparaat aan te sluiten.
- Gebruik het apparaat nooit voor andere doeleinden dan waarvoor het bedoeld is.
- Houd continu toezicht op de frituurpan tijdens het gebruik: de oververhitte olie zou vlam kunnen vatten.
- Schakel het apparaat niet in met een externe timer of een apart afstandsbedieningssysteem.
- Het apparaat mag nooit achter een sierdeurtje worden geïnstalleerd om te voorkomen dat dit heet wordt.
- Ga niet op het apparaat staan, omdat het beschadigd kan raken.
- Plaats geen pannen en koekenpannen op de rand, omdat dit de siliconenvoegen kan beschadigen.

Installatie

De installatieprocedure moet in overeenstemming zijn met de wetten, verordeningen, richtlijnen en normen (veiligheidsvoorschriften van elektrische systemen, correcte recycling van componenten, etc.) die van kracht zijn in het land van gebruik!

- Zie de installatie-instructies voor meer informatie over de installatie.
- Gebruik geen siliconenkit tussen het apparaat en het werkblad.
- Controleer of er voldoende ruimte onder de kookplaat is voor luchtcirculatie. Zie de installatie-instructies.
- De onderkant van het apparaat kan erg heet worden. Als het apparaat boven kastladen is geïnstalleerd, moet er een brandwerend scheidingspaneel onder het apparaat worden geïnstalleerd om toegang tot de bodem te voorkomen. Zie de installatie-instructies.
- De ventilatie van het apparaat moet aan de instructies van de producent voldoen.
- Maak een opening aan de voorzijde van ten minste 28 cm² in het keukenblok waarin de kookplaat moet worden gemonteerd om een goede ventilatie van het product mogelijk te maken.

Vereisten van het keukenblok

- Als het apparaat op brandbaar materiaal wordt gemonteerd, moeten de richtlijnen en voorschriften met betrekking tot laagspanningsinstallaties en brandpreventie nauwgezet worden opgevolgd.
- Bij de inbouwunits moeten de componenten (van kunststof materiaal en gefineerd hout) worden aangebracht met hittebestendige lijm (min. 85°C): het gebruik van ongeschikte materialen en lijm kan vervormingen en loslatingen van de onderdelen veroorzaken.
- Het gebruik van massief houten profielen rond het werkblad achter het apparaat is toegestaan, mits de minimale afstanden altijd voldoen aan de aanwijzingen op de installatietekeningen.
- Als er geen oven onder de kookplaat is, installeer dan een scheidingspaneel onder het apparaat zoals aangegeven in de installatie-instructies.

Milieuaspecten

Afdanken van huishoudelijke apparaten

- Het symbool  op het product of op de verpakking wijst erop dat dit product niet met het normale huishoudafval mag worden verwerkt. Het product moet worden verwerkt bij een speciaal verzamelcentrum voor de recycling van elektrische en elektronische apparatuur. Als u ervoor zorgt dat dit product op de juiste manier wordt verwerkt, voorkomt u mogelijk voor mens en milieu negatieve gevolgen die zich zouden kunnen voordoen in geval van een verkeerde afvalbehandeling. Neem voor meer details over het recyclen van dit product contact op met uw gemeente, de plaatselijke vuilophaaldienst of de winkel waar u het product hebt gekocht.

Afdanken van het verpakkingsmateriaal

De materialen met het symbool  zijn recyclebaar. Werp het verpakkingsmateriaal in speciale containers om het te recyclen.

Energiebesparing

U kunt elke dag energie besparen tijdens het koken door onderstaande tips te volgen.

- Gebruik bij het verwarmen van water alleen de benodigde hoeveelheid.
- Bedek de pannen zo mogelijk altijd met een deksel.
- Plaats de pan voordat u de kookzone inschakelt.
- Plaats kleinere pannen op de kleinere kookzones.
- Plaats de pannen direct in het midden van de kookzone
- Gebruik de restwarmte om het voedsel warm te houden of om het te smelten.

Reiniging en onderhoud

- Gebruik nooit schuursponsjes, staalwol, zoutzuur of andere producten die krassen of sporen op het oppervlak kunnen achterlaten.
- Consumeer geen voedselresten die zijn gevallen of zich hebben opgehoopt op het oppervlak en op de functionele of esthetische elementen van de kookplaat.
- Schakel het apparaat uit of koppel het los van het elektriciteitsnet alvorens reinigings- of onderhoudswerkzaamheden uit te voeren.
- Maak het apparaat na elk gebruik schoon om te voorkomen dat eventuele voedselresten verbranden. Het is veel moeilijker om verhard of verbrand vuil te verwijderen.
- Gebruik een zachte doek of een spons met een geschikt

reinigingsmiddel om het dagelijkse vuil te verwijderen.

Volg de aanbevelingen van de producent over de te gebruiken schoonmaakmiddelen. Het gebruik van neutrale reinigingsmiddelen wordt aanbevolen.

- Verwijder eventueel verhard vuil, bijvoorbeeld overgekookte melk, met behulp van een schraper voor glaskeramische oppervlakken als de kookplaat nog warm is. Volg de aanbevelingen van de producent over de te gebruiken schrapers.
- Verwijder suikerrijke etensresten, bijv. jamspaten tijdens het koken, met behulp van een schraper voor glaskeramische oppervlakken als de kookplaat nog warm is. Dergelijke resten kunnen, als ze niet worden verwijderd, het

glaskeramische oppervlak beschadigen.

- Verwijder eventuele gesmolten plasticresten met een schraper voor glaskeramische kookplaten als de kookplaat nog warm is. Dergelijke resten kunnen, als ze niet worden verwijderd, het glaskeramische oppervlak beschadigen.
- Verwijder kalkvlekken met een kleine hoeveelheid van een antikalkoplossing, bijvoorbeeld azijn of citroensap, zodra de kookplaat is afgekoeld. Maak hem daarna weer schoon met een vochtige doek.

- Snijd of bereid de levensmiddelen niet op het oppervlak en voorkom dat er harde voorwerpen op vallen. Schuif geen pannen of eet- en drinkgerei over het oppervlak.
- Gebruik geen stoomreinigers.

Fabrikant

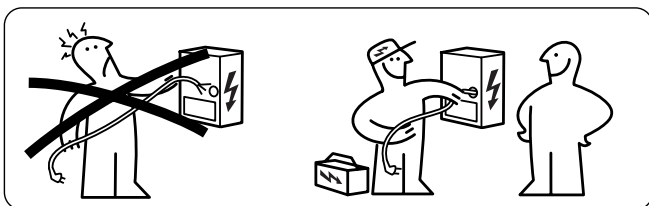
Ikea of Sweden AB - SE - 343 81 Älmhult, Zweden

Elektrische aansluiting

WAARSCHUWING: Alle elektrische aansluitingen dienen door een erkend elektricien tot stand te worden gebracht.

- Controleer voorafgaand aan de aansluitingen of de nominale spanning van het apparaat, aangegeven op het typeplaatje, overeenkomt met de spanning van de netvoeding. Het typeplaatje is op de onderkant van de kookplaat aangebracht.
- Maak uitsluitend gebruik van originele onderdelen, geleverd door de afdeling reserveonderdelen.
- Het apparaat is niet voorzien van een voedingskabel. Schaf de correcte voedingskabel aan bij een gespecialiseerde leverancier.
- Eventueel beschadigde voedingskabels moeten vervangen worden door originele vervangende kabels. Neem contact op met het callcenter van uw IKEA-winkel.

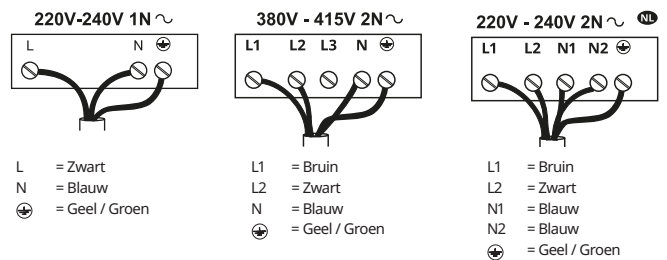
Let op! De kabels mogen niet gelast worden!



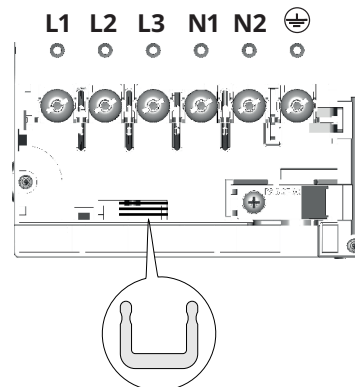
Elektrische aansluiting


- Neem het aansluitschema in acht (aangebracht op de onderkant van het product).
- Dit apparaat beschikt over een aansluiting van het type "Y" en vereist een H05VV-Fvoedingskabel. De kabel moet verplicht zijn voorzien van eindhulzen. Gebruik, in overeenstemming met de IEC-regelgeving, voor de eenfasige aansluiting: voedingskabel van 3 x 4 mm², voor de tweefasige aansluiting: voedingskabel van 4 x 2,5 mm² en voor een aansluiting in Nederland: voedingskabel van 5 x 2,5 mm². Buitendiameter van de voedingskabel: min 8 mm - max 12 mm. Gelieve de specifieke nationale regelgeving in acht te nemen.
- De aansluitklemmen zijn toegankelijk door de afdekking van de aansluitkast te verwijderen.
- Controleer of de eigenschappen van het elektriciteitsnet van de woning (spanning, maximaal vermogen en stroom) compatibel zijn met die van het apparaat.
- Sluit het apparaat aan zoals aangegeven in het schema (in overeenstemming met de referentienormen voor de netspanning die op nationaal niveau gelden).

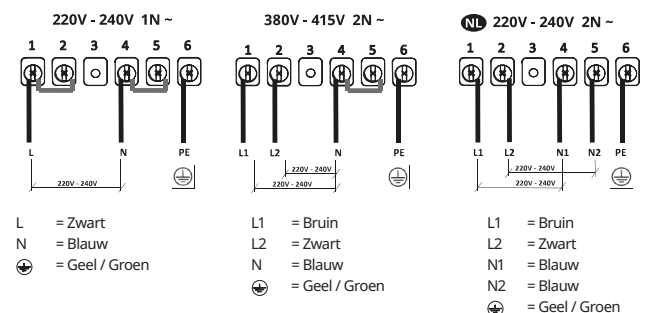
Aansluitschema zijde woning



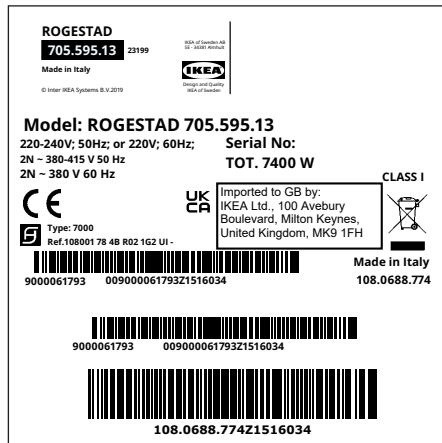
Aansluitschema zijde product



Steek de stroomdraden  tussen de klemmen, zoals is afgebeeld



Typeplaatje



De bovenstaande afbeelding toont het typeplaatje van het apparaat.
Het serienummer is specifiek voor elk product.
Beste klant, wij verzoeken u om het extra typeplaatje op de omslag van het bij het product geleverde veiligheidsboekje te

bewaren.
Op deze manier kunnen we u beter helpen door de door u gekochte kookplaat nauwkeurig te identificeren, mocht u in de toekomst onze hulp nodig hebben.
Wij danken u voor uw medewerking!

IKEA-GARANTIE

Hoelang is de garantie van IKEA geldig?

Deze garantie is vijf (5) jaar geldig vanaf de oorspronkelijke aankoopdatum van het apparaat bij IKEA. De originele kassabon is vereist als aankoopbewijs. Als er tijdens de garantieperiode werkzaamheden worden uitgevoerd, wordt de garantieperiode van het apparaat niet verlengd.

Wie voert de service uit?

De IKEA-servicedienst zal de service uitvoeren via het eigen bedrijf of het erkende servicepartnernetwerk.

Wat valt er onder de garantie?

De garantie dekt eventuele materiaal- en/of constructiefouten van het huishoudapparaat en is geldig vanaf de aankoopdatum van het huishoudapparaat bij IKEA. De garantie geldt alleen voor huishoudapparaten die voor huishoudelijk gebruik bestemd zijn. De uitzonderingen zijn beschreven onder het punt 'Wat valt er niet onder de garantie'. Tijdens de geldigheidsperiode van de garantie zijn de reparatiekosten (vervangingsonderdelen, arbeidsuren en reiskosten van het technisch personeel) ten laste van het servicecentrum, op voorwaarde dat de toegang tot het apparaat voor de reparatie geen bijzondere kosten met zich meebrengt. Deze voorwaarden voldoen aan de EU-richtlijnen (nr. 99/44/EG) en aan de toepasselijke plaatselijke voorschriften. Vervangende delen worden eigendom van IKEA.

Wat doet IKEA om het probleem op te lossen?

De door IKEA aangestelde servicedienst onderzoekt het product en bepaalt naar eigen goeddunken of het onder de garantiedekking valt. Als het gedekt blijkt te zijn, zal de IKEA-servicedienst of de erkende servicepartner via de eigen servicecentra, naar eigen goeddunken, ofwel het defecte product repareren of het vervangen door hetzelfde of een gelijkwaardig product.

Wat valt er niet onder de garantie?

- Normale slijtage.

- Schade als gevolg van opzet of nalatigheid, schade als gevolg van het niet naleven van de gebruiksaanwijzingen, een verkeerde installatie of een aansluiting op een verkeerde stroomsterkte, schade als gevolg van chemische of elektrochemische reacties, roest, corrosie of schade als gevolg van water, met inbegrip van schade als gevolg van te veel kalk in de waterleidingen, en schade als gevolg van weersomstandigheden of natuurverschijnselen.
- Verbruiksonderdelen, bijvoorbeeld batterijen en lampjes.
- Niet-functionele en decoratieve onderdelen die niet van invloed zijn op het normale gebruik van het huishoudelijke apparaat, inclusief eventuele krassen en mogelijke kleurverschillen.
- Onvoorziene schade veroorzaakt door vreemde voorwerpen of stoffen en het reinigen of deblokken van filters, afvoersystemen of wasmiddellades.
- Schade aan de volgende onderdelen: glaskeramiek, accessoires, bestekmandjes, toevoer- en afvoerpijpen, afdichtingen, lampen en lampenkapjes, schermen, knoppen, behuizingen en gedeeltes van behuizingen, op voorwaarde dat kan worden aangetoond dat deze schade veroorzaakt is door fabricagefouten.
- Gevallen waarbij geen storing geconstateerd kon worden tijdens het bezoek van een monteur.
- Reparaties die niet zijn uitgevoerd door servicediensten die door IKEA aangesteld zijn of door een erkende servicepartner of wanneer er niet-originele onderdelen gebruikt zijn.
- Reparaties als gevolg van een verkeerde installatie of die niet met de specificaties overeenstemt.
- Gebruik van het huishoudelijke apparaat in een niet-huishoudelijke omgeving bijvoorbeeld professioneel gebruik.
- Transportschade. Indien het apparaat door een klant naar zijn huis of een ander adres is vervoerd, is IKEA niet aansprakelijk voor eventuele transportschade. Indien IKEA het apparaat aflevert op het door de klant aangegeven adres, dan is eventuele schade die ontstaan is tijdens het transport gedekt door de garantie.

- Kosten voor de uitvoering van de installatie van het IKEA-apparaat. Indien de IKEA-servicedienst of de erkende servicepartner het apparaat, binnen de voorwaarden van deze garantie, repareert of vervangt, zal de servicedienst of de erkende servicepartner, indien nodig, het gerepareerde apparaat of het vervangende apparaat installeren.

Deze beperking is niet van toepassing op foutloze werkzaamheden uitgevoerd door een gekwalificeerd specialist met gebruik van onze originele onderdelen teneinde het apparaat aan te passen aan de veiligheidsspecificaties van een ander EU-land.

Hoe zijn de landelijke wetten van toepassing

De garantie van IKEA geeft de klant specifieke wettelijke rechten, in aanvulling op alle wettelijke rechten die per land verschillend zijn. Deze voorwaarden beperken echter op geen enkele wijze de rechten van de consument die in de lokale wetgeving is vastgelegd.

Geldigheidsgebied

Voor huishoudapparaten die in een EU-land zijn gekocht en naar een ander EU-land zijn gebracht, wordt de service verleend op basis van de garantievoorwaarden die in het nieuwe land van toepassing zijn. Een verplichting om diensten te verlenen in het kader van de garantie bestaat uitsluitend als het apparaat en de installatie ervan voldoen aan de:

- technische specificaties van het land waarin aanspraak gemaakt wordt op de garantie;
- veiligheidsinformatie in de gebruikshandleiding.

Aftersaleservice voor de IKEA-huishoudapparaten:

Aarzel niet om contact op te nemen met de aftersaleservice van IKEA om:

1. een garantieservice aan te vragen;
2. uitleg te vragen over de installatie van het huishoudelijke apparaat van IKEA in de specifieke keukenmeubels van IKEA. De service biedt geen hulp of informatie met betrekking tot:
 - de installatie van complete IKEA-keukens;
 - aansluitingen op het elektriciteitsnet (als het apparaat zonder kabels en stekkers is geleverd), op de water- en gasleiding, want dit moet gedaan worden door een erkende servicemonteur.
3. uitleg te vragen over de gebruikershandleiding en over de specificaties van het huishoudelijke apparaat van IKEA.

Om ervoor te zorgen dat wij u de beste service verlenen, verzoeken wij u de montage-instructies en/of de gebruikershandleiding zorgvuldig te lezen voordat u contact met ons opneemt.

Hoe kunt u ons bereiken als u hulp nodig hebt



Op de laatste pagina van deze handleiding vindt u de volledige lijst van IKEA-servicebedrijven met de bijbehorende nationale telefoonnummers.


Belangrijk! Voor een snellere service is het aanbevolen om de telefoonnummers aan het einde van deze handleiding te gebruiken. Vermeld bij de vraag om ondersteuning altijd de specifieke codes van het apparaat, die u in deze handleiding vindt. Controleer of u de (8-cijferige) productcode van IKEA van het huishoudapparaat waarvoor u ondersteuning vraagt binnen handbereik hebt, voordat u contact met ons opneemt.

Belangrijk! BEWAAR DE BON! Dit is uw aankoopbewijs en moet kunnen worden getoond om gebruik te kunnen maken van de garantie. Op de kassabon zijn ook de naam en de (8-cijferige) code van elk huishoudelijk apparaat van IKEA dat u heeft aangeschaft vermeld.


Hebt u meer hulp nodig?

Voor vragen die geen betrekking hebben op de service voor de apparaten kunt u contact opnemen met de dichtstbijzijnde IKEA-vestiging. Wij verzoeken u om de documentatie van het apparaat aandachtig te lezen, alvorens contact met ons op te nemen.

Informacje dotyczące bezpieczeństwa

 Dla zapewnienia własnego bezpieczeństwa oraz prawidłowego działania urządzenia, prosimy uważnie przeczytać tę instrukcję obsługi przed przystąpieniem do instalacji oraz użytkowania. Instrukcję obsługi należy trzymać w pobliżu urządzenia, a w przypadku odsprzedaży przekazać ją razem z urządzeniem osobom trzecim. Ważne jest, aby wszyscy użytkownicy znali sposób działania oraz zasady bezpieczeństwa produktu.

Opisane płyty kuchenne są wyposażone w systemy indukcyjne spełniające wymogi dyrektywy EMC i EMF, dlatego nie powinny zakłócać działania innych urządzeń elektronicznych. Osoby z wszczepionym rozrusznikiem serca lub innymi urządzeniami elektronicznymi powinny skonsultować się z własnym lekarzem lub producentem wszczepionego urządzenia, w celu oceny czy jest ono dostatecznie odporne na interferencje.


 Realizację połączeń elektrycznych należy zlecić kompetentnemu technikowi. Przed wykonywaniem połączenia elektrycznego, należy zapoznać się z treścią rozdziału POŁĄCZENIE ELEKTRYCZNE.

W przypadku urządzeń wyposażonych w kabel zasilający, rozmieszczenie zacisków lub odcinka przewodów pomiędzy mocowaniem kabla a zaciskami powinno być takie, aby w przypadku wypadnięcia przewodu z miejsca mocowania, przez który przepływa prąd, znajdował się on przed kablem uziemienia.


- Producent nie ponosi jakiegokolwiek odpowiedzialności za ewentualne szkody powstałe na skutek niewłaściwie wykonanej instalacji lub użytkowania.
- Skontrolować, czy zasilanie sieciowe odpowiada wartości wskazanej na tabliczce znamionowej, przymocowanej wewnątrz produktu.
- Wyłączniki sekcyjne należy zainstalować w

instalacji stacjonarnej, zgodnie z przepisami dotyczącymi systemów okablowania.

- W przypadku urządzeń Klasy I, skontrolować czy domowa instalacja zasilająca jest wyposażona w odpowiedni układ uziemiający.
- Produkt podłączyć do sieci elektrycznej, używając w tym celu wyłącznika wielobiegowego.
- Jeśli kabel zasilający jest uszkodzony, w celu uniknięcia jakiegokolwiek ryzyka lub niebezpiecznych sytuacji, powinien zostać wymieniony przez producenta, autoryzowany serwis lub kompetentnego technika.

 **OSTRZEŻENIE:** Przed przystąpieniem do instalacji urządzenia usunąć folię ochronną.

- Należy używać tylko śrub lub innych akcesoriów montażowych dostarczonych wraz z urządzeniem.

 **OSTRZEŻENIE:** Brak śrub lub zainstalowanie elementów mocujących niezgodnie ze wskazówkami podanymi w instrukcji może być przyczyną porażenia prądem.

- Czyszczenie i konserwacja urządzenia nie powinny być wykonywane przez dzieci, chyba że są one nadzorowane przez osobę dorosłą.
- Dzieci należy nadzorować w celu upewnienia się, że nie bawią się urządzeniem.
- Niniejsze urządzenie nie może być używane przez osoby (w tym dzieci) o ograniczonych zdolnościach psychicznych, fizycznych i zmysłowych oraz bez doświadczenia lub wiedzy na temat jego działania, chyba że zostały poinstruowane w kwestii bezpiecznej obsługi urządzenia i są nieustannie nadzorowane przez osobę odpowiedzialną za ich bezpieczeństwo.
- Niniejsze urządzenie może być używane przez dzieci w wieku powyżej 8 lat oraz osoby o ograniczonych zdolnościach

psychicznych, fizycznych i zmysłowych lub o niedostatecznym doświadczeniu i wiedzy na temat jego działania, pod warunkiem że są nieustannie nadzorowane i zostały poinstruowane w kwestii bezpiecznej obsługi urządzenia oraz wynikających z tego zagrożeń. Nie wolno pozwalać dzieciom na zabawę urządzeniem.

⚠ OSTRZEŻENIE: W trakcie użytkowania urządzenie i jego łatwo dostępne części nagrzewają się.

Zachować szczególną ostrożność i nie dotykać oporników.

Chronić przed dziećmi w wieku poniżej 8 lat, o ile nie są pod stałym nadzorem.

OSTRZEŻENIE: Jeśli powierzchnia jest pęknięta, urządzenie należy wyłączyć w celu uniknięcia ryzyka porażenia prądem.

- Urządzenia nie należy włączać, jeśli jego powierzchnia jest pęknięta lub widoczne są uszkodzenia na całej grubości materiału.
- Urządzenia nie należy dotykać mokrymi rękoma lub częściami ciała.
- Urządzenia nie należy czyścić myjkami parowymi.
- Na powierzchni płyty kuchennej nie należy kłaść przedmiotów metalowych, takich jak noże, widelce, łyżki i pokrywki, ponieważ mogą się nagrzewać.
- Do wyłączenia płyty kuchennej po zakończeniu użytkowania należy użyć odpowiedniego przycisku. Nie czekać na zadziałanie czujników wykrywających obecność naczyń do gotowania.

OSTRZEŻENIE: Pozostawienie płyty kuchennej bez nadzoru w chwili przyrządzania potraw na oleju lub tłuszczu jest niebezpieczne, ze względu na możliwość zaistnienia niebezpiecznej sytuacji i wybuchu pożaru. NIGDY nie należy gasić ognia wodą. Urządzenie należy wyłączyć, a płomień zdusić, na przykład pokrywką lub kocem przeciwpożarowym.

UWAGA: Proces gotowania należy nadzorować. Nawet krótkotrwałe gotowanie

potraw należy nieustannie nadzorować.

- Urządzenie nie zostało zaprojektowane do włączania przy pomocy zewnętrznego timera lub osobnego systemu zdalnego sterowania.

OSTRZEŻENIE: Niebezpieczeństwo pożaru: na płycie grzewczej nie należy kłaść żadnych przedmiotów.

- Urządzenie należy zainstalować w taki sposób, by umożliwić jego odłączenie od zasilania elektrycznego. Odległość rozwarcia styków (3 mm) powinna gwarantować całkowite odłączenie w warunkach przepięcia kategorii III.
- Urządzenie nigdy nie powinno być poddawane działaniu czynników atmosferycznych (takich jak deszcz, czy słońce).
- Przechowywać opakowanie w miejscu niedostępnym dla dzieci i zwierząt domowych.
- Upewnić się, że urządzenie jest bezpośrednio podłączone do gniazdka zasilania.
- Do podłączenia urządzenia nie używać adapterów, listw zasilających lub przedłużaczy.
- Urządzenia nigdy nie wolno stosować do celów innych niż te, do których zostało zaprojektowane.
- Nie zostawiać frytkownicy bez nadzoru podczas używania: rozgrzany olej może się zapalić.
- Urządzenia nie należy włączać przy pomocy zewnętrznego timera lub osobnego systemu zdalnego sterowania.
- Urządzenia nigdy nie należy instalować za dekoracyjnymi drzwiczkami – może dojść do jego przegrzania.
- Nie stawiać na urządzeniu, ze względu na ryzyko jego uszkodzenia.
- Nie stawiać naczyń do gotowania i patelni na brzegach płyty, ponieważ mogłyby spowodować uszkodzenie połączeń silikonowych.

Instalacja

W trakcie instalowania należy obowiązkowo stosować się do przepisów, rozporządzeń, dyrektyw i norm (regulaminów dotyczących bezpieczeństwa instalacji elektrycznych, prawidłowego recyklingu komponentów, itp.) obowiązujących w kraju, w którym użytkowane jest urządzenie!


- W celu uzyskania dodatkowych informacji dotyczących instalacji, patrz: instrukcja montażu.
- Pomiędzy urządzeniem a blatem roboczym nie należy umieszczać uszczelniaczy na bazie silikonu.
- Upewnić się, że przestrzeń pod płytą kuchenną jest wystarczająca do tego, by zagwarantować odpowiedni przepływ powietrza. Patrz: instrukcja montażu.
- Spodnia część urządzenia może się stać bardzo gorąca. Jeśli urządzenie jest instalowane nad szufladami, należy zamontować pod urządzeniem ognioodporny panel oddzielający, uniemożliwiający dostęp do jego dolnej części. Patrz: instrukcja montażu.
- Wentylacja urządzenia powinna spełniać wymogi producenta.
- W przedniej części mebli kuchennych, w których będzie instalowana płyta kuchenna należy utworzyć otwór o wymiarach co najmniej 28 cm², gwarantujący urządzeniu prawidłową cyrkulację powietrza.

Wymagania, które powinny spełniać meble kuchenne


- Jeśli urządzenie jest instalowane na materiałach łatwopalnych, konieczne jest ściśle stosowanie się do wytycznych i norm dotyczących instalacji niskiego napięcia oraz przepisów przeciwpożarowych.
- W przypadku elementów do zabudowy, komponenty (z plastiku lub drewna w okleinie) powinny być mocowane przy użyciu klejów odpornych na wysokie temperatury (min. 85°C): stosowanie niewłaściwych materiałów i klejów może prowadzić do odkształceń lub odklejania się komponentów.
- Dozwolony jest montaż profili z litego drewna wokół blatu roboczego za urządzeniem, pod warunkiem że minimalne odległości są zgodne z wymogami określonymi na rysunkach instalacyjnych.
- Jeśli pod płytą kuchenną nie jest zamontowany piekarnik, pod urządzeniem należy obowiązkowo zainstalować panel oddzielający, zgodnie ze wskazówkami zawartymi w instrukcji montażu.

Aspekty ochrony środowiska

Usuwanie sprzętu AGD

- Symbol  umieszczony na produkcie lub na jego opakowaniu oznacza, że nie można go wyrzucać razem ze zwykłymi odpadami pochodzącymi z gospodarstwa domowego. Produkt musi być przekazany do centrum specjalizującego się w recyklingu komponentów elektrycznych i elektronicznych. Utylizując produkt w sposób właściwy, przyczyniasz się do zapobiegania ewentualnym ujemnym wpływom na środowisko naturalne oraz na zdrowie ludzi, które mogłyby powstać w wyniku niewłaściwej utylizacji. Szczegółowe informacje na temat recyklingu tego produktu można uzyskać w urzędach miasta/gminy, lokalnych instytucjach zajmujących się likwidacją odpadów lub w sklepie, w którym produkt został zakupiony.

Usuwanie materiałów opakowaniowych

Materiały z symbolem  nadają się do ponownego przetworzenia. Materiały opakowaniowe należy wyrzucić do pojemników na odpady przeznaczone do recyklingu.

Energooszczędność

Stosowanie się do poniższych porad umożliwi oszczędzanie energii w trakcie codziennego gotowania.

- Należy podgrzewać tylko tyle wody, ile jest potrzebne.
- Jeśli to możliwe, należy zawsze przykrywać naczynia pokrywką.
- Przed włączeniem strefy grzewczej, należy postawić na niej naczynie do gotowania.
- Mniejsze naczynia należy stawiać na mniejszych strefach grzewczych.
- Naczynia należy stawiać bezpośrednio na środku strefy grzewczej.
- Pozostałe ciepło można wykorzystać do podtrzymywania ciepła potraw lub roztapiania.

Czyszczenie i konserwacja

- Nie używać szorstkich gąbek, stalowych czyścików, kwasu solnego lub innych produktów, które mogłyby uszkodzić lub porysować powierzchnię.
- Nie spożywać resztek potraw, które spadły lub nagromadziły się na powierzchni oraz na funkcjonalnych lub estetycznych elementach płyty kuchennej.
- Wyłączyć urządzenie lub odłączyć je od źródła zasilania elektrycznego przed przystąpieniem do wszelkich prac związanych z czyszczeniem i konserwacją.
- W celu uniknięcia zwęglenia ewentualnych resztek jedzenia, urządzenie należy czyścić po każdym użyciu. Usunięcie zaschniętych lub przypalonych zabrudzeń jest znacznie

trudniejsze.

- Do usuwania codziennych zabrudzeń używać miękkiej szmatki lub gąbki z odpowiednim środkiem czyszczącym. Stosować się do zaleceń producenta dotyczących odpowiednich środków czyszczących. Zalecamy używać neutralnych środków czyszczących.
- Zaschnięte plamy, na przykład mleko, które wykopiało podczas gotowania, należy usuwać przy użyciu skrobaka do ceramicznych powierzchni, gdy płyta kuchenna jest jeszcze ciepła. Stosować się do zaleceń producenta dotyczących odpowiednich skrobaków.
- Resztki jedzenia o dużej zawartości cukru, na przykład plamy

z konfitury powstałe podczas gotowania, należy usuwać przy użyciu skrobaka do ceramicznych powierzchni, gdy płyta kuchenna jest jeszcze ciepła. Nieusunięte resztki mogą spowodować uszkodzenie ceramicznej powierzchni.

- Ewentualne, stopione resztki plastiku należy usuwać przy użyciu skrobaka do ceramicznych powierzchni, gdy płyta kuchenna jest jeszcze ciepła. Nieusunięte resztki mogą spowodować uszkodzenie ceramicznej powierzchni.
- Plamy z osadu kamiennego należy czyścić przy użyciu

niewielkiej ilości roztworu odkamieniającego, na przykład octu lub soku z cytryny. Czyścić po całkowitym schłodzeniu się płyty kuchennej. Następnie ponownie przetrzeć wilgotną szmatką.

- Na powierzchni urządzenia nie należy ciąć, ani przygotowywać potraw. Starać się nie dopuścić do tego, aby spadły na nią twarde przedmioty. Po powierzchni urządzenia nie należy przeciągać garnków lub innych naczyń.
- Nie używać myjek parowych.

Producent

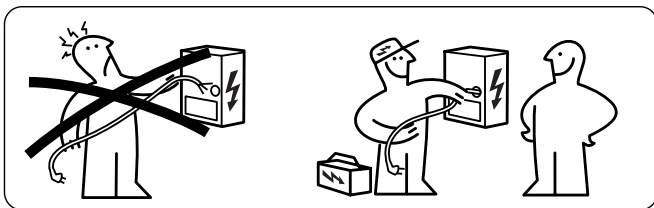
Ikea of Sweden AB - SE - 343 81 Älmhult, Szwecja

Połączenie elektryczne

! OSTRZEŻENIE: Wszystkie połączenia elektryczne powinny być wykonane przez autoryzowanego instalatora.

- Przed wykonaniem połączeń sprawdzić, czy napięcie nominalne urządzenia wskazane na tabliczce znamionowej odpowiada napięciu zasilania sieciowego. Tabliczka znamionowa znajduje się w dolnej części płyty kuchennej.
- Stosować wyłącznie komponenty oryginalne, dostarczone przez serwis części zamiennych.
- Urządzenie nie jest wyposażone w kabel sieciowy. Należy nabyć odpowiedni kabel u autoryzowanego sprzedawcy.
- W przypadku uszkodzenia wymienić kabel zasilający na odpowiednią, oryginalną część zamienną. Skontaktować się z działem obsługi klienta swojego sklepu IKEA.

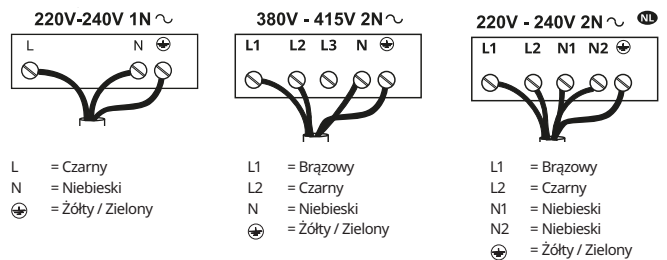
! Uwaga! Kabli nie należy ze sobą zgrzewać!



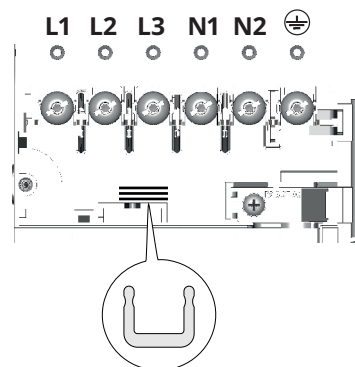
Połączenie elektryczne

- Postępować zgodnie ze schematem podłączeń (znajdującym się w dolnej części produktu).
- Urządzenie jest wyposażone w połączenie typu „Y”, które wymaga kabla zasilającego H05VV-F. Na kablu należy obowiązkowo zainstalować tulejki zaciskowe. Zgodnie z normą IEC do wykonania połączenia jednofazowego należy użyć: kabla zasilającego o wymiarze 3 x 4 mm², do połączenia dwufazowego kabla zasilającego o wymiarze 4 x 2,5 mm² i do wykonania połączenia w Holandii: kabla zasilającego o wymiarze 5 x 2,5 mm². Średnica zewnętrzna kabla zasilającego: min 8 mm - maks 12 mm. Należy przestrzegać przepisów i norm obowiązujących w kraju użytkownika.
- Dostęp do zacisków połączeniowych uzyskuje się po usunięciu pokrywy puszkii rozgałęznej.
- Upewnić się, że cechy domowej instalacji elektrycznej (napięcie, moc maksymalna iprąd) odpowiadają wartościom urządzenia.
- Urządzenie należy podłączyć w sposób przedstawiony na schemacie (zgodnie z normami odniesienia, dotyczącymi napięcia sieciowego, obowiązującymi na terenie kraju).

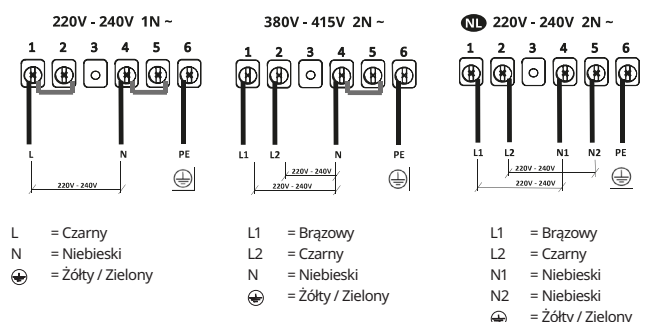
Schemat podłączeniowy po stronie domu



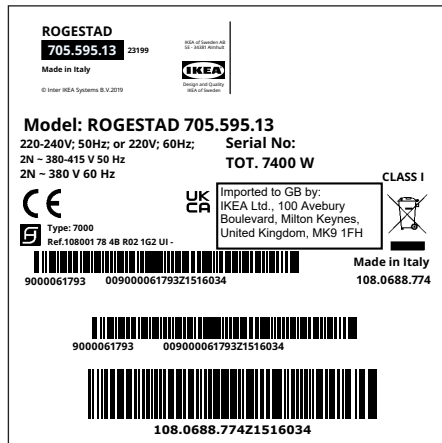
Schemat podłączeniowy po stronie produktu



Zainstalować odgałęzienia  pomiędzy zaciskami, zgodnie z ilustracją



Tabliczka znamionowa



Na wyżej zamieszczonym rysunku przedstawiono tabliczkę znamionową urządzenia. Każde urządzenie posiada specyficzny numer seryjny. Szanowny Kliencie! Prosimy przechowywać dodatkowy wzór tabliczki znamionowej zamieszczony na okładce Instrukcji

bezpieczeństwa umieszczonej wewnątrz produktu. W ten sposób będziemy mogli dokładnie określić rodzaj zakupionej płyty kuchennej i udzielić szybkiej pomocy, gdyby w przyszłości okazała się konieczna. Dziękujemy za współpracę!

GWARANCJA IKEA

Ile trwa gwarancja IKEA?

Niniejsza gwarancja obowiązuje przez okres pięciu (5) lat od daty pierwszego zakupu urządzenia w sklepie IKEA. W celu potwierdzenia zakupu należy przedłożyć oryginał rachunku. Wykonanie napraw gwarancyjnych nie powoduje przedłużenia okresu gwarancji urządzenia.

Kto wykonuje usługi serwisowe?

Dostawca usług serwisowych wyznaczony przez IKEA, wykonujący usługi gwarancyjne za pośrednictwem sieci własnych punktów lub sieci autoryzowanych partnerów serwisowych.

Co obejmuje gwarancja?

Niniejsza gwarancja obejmuje usterki spowodowane wadliwością konstrukcji lub materiałów wykorzystanych do produkcji urządzenia gospodarstwa domowego i obowiązuje od dnia jego zakupu w sklepie IKEA. Niniejsza gwarancja obejmuje wyłącznie urządzenia gospodarstwa domowego przeznaczone do użytku domowego. Wyjątki opisano w rozdziale „Czego nie obejmuje gwarancja?”. W okresie obowiązywania gwarancji, koszty naprawy (części zamiennne, robocizna oraz koszty podróży personelu technicznego) będą ponoszone przez serwis, pod warunkiem, że dostęp do naprawianego urządzenia nie wiąże się z żadnymi specjalnymi wydatkami. Warunki te są zgodne z postanowieniami dyrektywy UE (nr 99/44/WE) oraz odnośnymi normami i rozporządzeniami lokalnymi. Części wymienione stają się własnością IKEA.

Jakie działania podejmie IKEA w celu rozwiązania problemu?

Wyznaczony przez IKEA dostawca usług serwisowych bada produkt i rozstrzyga, według własnego uznania, czy jest on objęty niniejszą gwarancją. W razie uznania, że produkt jest objęty gwarancją, dostawca usług serwisowych IKEA lub autoryzowany partner serwisowy decyduje, według własnego uznania, czy naprawić wadliwy produkt, czy wymienić go na taki sam lub porównywalny produkt.

Czego nie obejmuje gwarancja?

- Zwykłego zużycia.
- Uszkodzenia umyślnego lub wynikającego z niedbalstwa, uszkodzenia spowodowanego nieprzestrzeganiem instrukcji obsługi, nieprawidłową instalacją lub podłączeniem do niewłaściwego źródła napięcia, uszkodzenia spowodowanego reakcją chemiczną lub elektrochemiczną, rdzą, korozją lub uszkodzeniem w wyniku działania wody, w tym uszkodzenia spowodowanego nadmiarem wapnia w wodzie z instalacji wodociągowych oraz uszkodzenia spowodowanego anomaliami pogodowymi i naturalnymi.
- Materiałów eksploatacyjnych, w tym baterii i żarówek.
- Części dekoracyjnych i нефunkcjonalnych, niemających wpływu na normalne użytkowanie urządzenia gospodarstwa domowego, w tym zarysowań oraz przebarwień.
- Przypadkowych uszkodzeń spowodowanych przez substancje, ciała obce, czyszczenie lub przepychanie filtrów, systemów odprowadzania wody lub szuflad na proszek.
- Uszkodzenia następujących części: części ze szkła ceramicznego, akcesoriów, koszyków na naczynia i sztucce, węzy doprowadzających wodę i spustowych, uszczelkę, żarówek oraz ich pokryw, wyświetlaczy, pokręteł, obudów oraz części obudów, chyba że można wykazać, że uszkodzenia takie zostały spowodowane wadami produkcyjnymi.
- Przypadków, w których wady nie zostały stwierdzone w trakcie wizyty technika.
- Napraw niewykonanych przez dostawcę usług serwisowych wyznaczonego przez IKEA lub autoryzowanego partnera serwisowego, bądź napraw, do których użyto części nieoryginalnych.
- Napraw będących następstwem instalacji wykonanych nieprawidłowo lub w sposób niezgodny ze specyfikacją.
- Wykorzystania urządzenia gospodarstwa domowego w środowisku innym niż domowe, np. do użytku profesjonalnego.
- Szkód powstałych w trakcie transportu. Jeśli klient sam transportuje urządzenie do domu lub pod inny adres, IKEA nie

ponosi jakiegokolwiek odpowiedzialności za szkody powstałe w trakcie transportu. Jednakże, jeśli IKEA dostarcza urządzenie na adres klienta, niniejsza gwarancja będzie obejmowała ewentualne szkody powstałe podczas transportu.

- Koszt przeprowadzenia początkowej instalacji urządzenia IKEA. Jednakże, jeśli dostawca usług serwisowych wyznaczony przez IKEA lub autoryzowany partner serwisowy naprawi lub wymieni urządzenie w ramach niniejszej gwarancji, taki dostawca usług lub autoryzowany partner serwisowy w razie potrzeby ponownie zainstaluje naprawione lub wymienione urządzenie.

Powyższe ograniczenia nie mają zastosowania do pracy prawidłowo wykonanej przez wykwalifikowany personel i przy zastosowaniu oryginalnych części, w celu dostosowania urządzenia do wymagań bezpieczeństwa obowiązujących w innym państwie członkowskim UE.

Zastosowanie przepisów prawa krajowego

Udzielona przez IKEA gwarancja przyznaje klientowi specyficzne uprawnienia oprócz tych, przewidzianych już przez przepisy prawa, różniące się w poszczególnych krajach. Prawa te jednak w żaden sposób nie ograniczają praw konsumenta wynikających z ustawodawstwa lokalnego.

Obszar obowiązywania

W przypadku urządzeń gospodarstwa domowego zakupionych w jednym państwie członkowskim UE i przewiezionych do innego państwa członkowskiego UE, usługi serwisowe świadczone będą na warunkach gwarancyjnych obowiązujących w nowym państwie. Obowiązek świadczenia usług gwarancyjnych istnieje wyłącznie wówczas, gdy urządzenie oraz jego instalacja są zgodne z:

- wymogami technicznymi państwa, w którym zgłaszana jest reklamacja w ramach gwarancji;
- informacjami dotyczącymi bezpieczeństwa zawartymi w Instrukcji obsługi.

Serwis posprzedażowy dla urządzeń gospodarstwa domowego IKEA:

Prosimy o kontakt z serwisem posprzedażowym IKEA w celu:

1. zgłoszenia reklamacji w ramach niniejszej gwarancji;
2. uzyskania wyjaśnień dotyczących instalacji urządzeń gospodarstwa domowego IKEA w określonych zestawach mebli kuchennych IKEA. Serwis nie udziela informacji i wyjaśnień dotyczących:
 - instalacji kompletnych kuchni IKEA;
 - połączeń elektrycznych (jeśli urządzenie zostało dostarczone bez kabli i wtyczek), przyłączy hydraulicznych i połączeń z instalacją gazową. Za tego typu czynności odpowiada autoryzowany technik serwisowy.
3. uzyskania wyjaśnień dotyczących treści instrukcji obsługi lub specyfikacji urządzenia gospodarstwa domowego IKEA.

W celu zagwarantowania jak najwyższej jakości usług, przed skontaktowaniem się z naszym serwisem prosimy o uważne przeczytanie Instrukcji montażu i/lub Instrukcji obsługi.

Jak się z nami skontaktować, aby uzyskać pomoc



Pełna lista dostawców usług IKEA wraz z numerami telefonów w poszczególnych krajach znajdują się na ostatniej stronie niniejszej instrukcji.

Ważne! W celu przyspieszenia obsługi serwisu zalecamy skorzystanie z numerów telefonicznych wymienionych na końcu niniejszej instrukcji. W trakcie kontaktowania się z naszym serwisem, należy zawsze podać kody urządzenia wskazane w niniejszej instrukcji. Przed skontaktowaniem się z naszym serwisem, należy mieć w pobliżu kod produktu IKEA (8-cyfrowy) identyfikujący urządzenie gospodarstwa domowego, które wymaga wykonania usługi serwisowej.

Ważne! PROSIMY O ZACHOWANIE RACHUNKU! Stanowi on dowód zakupu oraz warunek skorzystania z gwarancji. Na rachunku podana jest również nazwa oraz kod (8-cyfrowy) każdego zakupionego przez Państwa urządzenia gospodarstwa domowego.

Czy potrzebują Państwo dodatkowej pomocy?

W celu uzyskania odpowiedzi na pytania niezwiązane z serwisem prosimy o kontakt z najbliższym sklepem IKEA. Przed skontaktowaniem się z nami prosimy o uważne zapoznanie się z treścią dokumentacji dostarczonej wraz z urządzeniem.

Güvenlik hakkında bilgiler

ⓘ Kendi güvenliğiniz açısından ve cihazın düzgün çalışması için, kurulum ve devreye alma işlemlerini gerçekleştirmeden önce, lütfen bu kılavuzu dikkatlice okuyunuz. Satış ya da üçüncü şahıslara devir durumunda dahi, işbu talimatları cihaz ile birlikte bulundurun. Kullanıcıların, cihazın tüm işletim ve güvenlik özelliklerini bilmeleri önemlidir.

Bu ocaklarda, EMC ve EMF direktiflerinin gereksinimlerini karşılayan ve diğer elektronik cihazlarla bir araya getirilmemesi gereken indüksiyon sistemleri bulunmaktadır. Kalp pili veya diğer elektronik implantları olan kişiler, duyarlılık derecelerini değerlendirmek için doktorlarına veya implant cihazın üreticisine danışmalıdır.

⚠ Elektrik bağlantıları yetkin bir teknisyen tarafından yapılmalıdır. Elektrik bağlantısını yapmadan önce ELEKTRİK BAĞLANTILARI bölümünü okuyun.

Güç kaynağı kablosuna sahip cihazlar için, kablonun çapa bağlantı noktası ile terminaller arasındaki terminaller veya tellerin enine kesiti, canlı iletkenin topraklama kablosunun çapasından çıkması durumunda topraklama kablosunun üst kısmına çekilmesine izin verecek şekilde düzenlenmelidir.

- Üretici, uygun olmayan bir kurulum ya da kullanımdan kaynaklanan muhtemel hasarlardan dolayı sorumlu tutulamaz.
- Şebeke geriliminin, ürünün içine sabitlenmiş olan veri plakası üzerinde belirtilen gerilime karşılık gelip gelmediğini kontrol edin.
- Bağlantı kesme cihazları, kablolama sistemindeki yönetmeliklere uygun olarak sabit sisteme monte edilmelidir.
- I. Sınıf cihazlar için, elektrikli ev aletleri besleme geriliminin, uygun bir topraklamasının olup olmadığını kontrol

edin.

- Ürünü bir omnipolar anahtar kullanarak elektrik şebekesine bağlayın.
- Güç kablosu hasar görürse, herhangi bir risk veya tehlikeli durumdan kaçınmak için üretici, yetkili bir servis merkezi veya yetkin bir teknisyen tarafından değiştirilmelidir.

⚠ **UYARI:** Cihazı monte etmeden önce koruyucu filmleri çıkarın.

- Yalnızca cihazla birlikte verilen vidaları ve diğer donanım öğelerini kullanın.

⚠ **UYARI:** İşbu talimatlara uygun vida ve sabitleyicilerle monte edilmemesi, elektrik şokla sonuçlanabilir.

- Temizlik ve bakım işlemleri, bir yetişkin gözetiminde olmadıkça çocuklar tarafından gerçekleştirilmemelidir.
- Çocuklar, cihazla oynamadıklarından emin olmak için denetim altında tutulmalıdırlar.
- Bu cihaz, psikolojik, psikolojik-fiziksel-duyusal yetenekleri azalmış veya tecrübe ve bilgi eksikliği olan kişilerce (çocuklar dahil), güvenliklerinden sorumlu birisi tarafından gözlemlenmedikçe ve talimat verilmedikçe kullanılmamalıdır.
- Bu cihaz, 8 yaşının altındaki çocuklar tarafından ve psikolojik-fiziksel-duyusal yetenekleri sınırlı veya bilgi ve becerileri yetersiz olan kişiler tarafından, cihazın emniyetli bir şekilde nasıl kullanılacağı ve oluşabilecek tehlikeler hakkında dikkatlice denetlenmeleri ve talimatlandırılmaları şartıyla, kullanılabilir. Çocukların cihazla oynamasına izin vermeyin.

⚠ **UYARI:** Cihaz ve erişilebilir parçaları kullanım sırasında çok ısınır.

Rezistanslara dokunmamaya çok dikkat edin.

Sürekli denetlenmedikleri sürece 8 yaşın altındaki çocukları uzak tutun.

UYARI: Yüzeyde çatlaklar varsa, elektrik çarpması riskini önlemek için cihazı kapatın.

- Yüzey de çatlak varsa veya malzemenin kalınlığında gözle görülür bir hasar varsa cihazı çalıştırmayın.
- Islak eller veya vücut ile cihaza dokunmayın.
- Cihazı temizlemek için buharlı aletler kullanmayın.
- Ocağın yüzeyine aşırı ısınabilecekleri için bıçak, çatal, kaşık ve kapak gibi metal nesnelere koymayın.
- Kullandıktan sonra ocağı kapatmak için uygun komutu kullanın; tencere sensörlerine güvenmeyin.

UYARI: Sıvı yağ veya yağ kullanırken ocağı gözetimsiz bırakmak tehlikelidir, çünkü bu tehlikeli bir durum oluşabilir ve yangına neden olabilir. ASLA alevleri su ile söndürmeye çalışmayın, ancak cihazı kapatın ve alevleri bir kapak veya aleve dayanıklı bir örtü ile söndürün.

DİKKAT: Pişirme işlemi izlenmelidir. Kısa bir pişirme işlemi sürekli izlenmelidir.

- Cihaz harici bir zamanlayıcı veya ayrı bir kumanda sistemi ile uzaktan çalıştırılmak üzere tasarlanmamıştır.

UYARI: Yangın tehlikesi: Pişirme yüzeylerine herhangi bir şey koymayın.

- Cihaz, kategori III aşırı yük koşullarında bağlantının tamamen kesilmesini sağlayan kontaklar (3 mm) arasında bir açıklık ile güç kaynağından ayrılmaya izin verecek şekilde kurulmalıdır.
- Cihaz asla hava koşullarına (yağmur, güneş) maruz bırakılmamalıdır.
- Ambalajını çocukların ve evcil hayvanların erişemeyeceği yerlerde saklayın.
- Cihazın elektrik prizine doğrudan bağlı olduğundan emin olun.
- Cihazı bağlamak için adaptör, çoklu priz veya uzatma kablosu kullanmayın.
- Cihazı hiçbir koşulda tasarlandığı amaçlar dışında kullanmayın.
- Fritözler kullanımları esnasında sürekli

olarak takip edilmelidirler: ısınmış yağ alev alabilir.

- Cihazı harici bir zamanlayıcı veya ayrı bir uzaktan kumanda sistemi kullanarak çalıştırmayın.
- Cihaz aşırı ısınmasını önlemek için asla dekoratif bir kapının arkasına monte edilmemelidir.
- Cihazın üzerinde ayakta durmayın, hasar görebilir.
- Silikon bağlantılar hasar görebileceğinden, tencereleri ve tavaları kenarlara yerleştirmeyin.

Montaj

Kurulum işlemi için, kullanılacağı ülkede yürürlükte olan yasalara, yönetmeliklere, direktiflere ve standartlara (elektrik sistemlerinin güvenliği, bileşenlerin doğru geri dönüşümü yönetmelikleri vb.) uyulması zorunludur!


- Kurulum hakkında daha fazla bilgi için montaj talimatlarına bakın.
- Cihaz ile tezgah arasında silikon dolgu macunu kullanmayın.
- Ocağın altındaki boşluğun hava sirkülasyonu için yeterli olup olmadığını kontrol edin. Montaj talimatlarına bakın.
- Cihazın tabanı fazla ısınabilir. Eğer cihaz çekmecelerin üzerine monte edilmişse, alta erişimi önlemek için cihazın altına yanmaz bir ayırma paneli takmanız gereklidir. Montaj talimatlarına bakın.
- Cihazın havalandırması üreticinin talimatları ile uyumlu olmalıdır.
- Ürünün doğru havalandırılmasını sağlamak için ocağın üstünde bulunacağı mutfak bloğunda ön kısımda en az 28 cm²'lik bir açıklık oluşturun.

Mutfak bloğu gereksinimleri

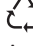
- Cihaz yanıcı malzemelerin üstüne monte edilirse, alçak gerilim sistemleri ve yangın önleme kuralları ile ilgili kurallara ve düzenlemelere kesinlikle uymak gerekir.
- Yerleşik üniteler için, bileşenler (plastik ve ahşap kaplamada) ısıya dayanıklı yapıştırıcılar ile uygulanmalıdır (en az 85° C): Uygun olmayan malzeme ve yapıştırıcıların kullanılması, bileşenlerin deformasyonuna veya yerlerinden ayrılmasına neden olabilir.
- Minimum mesafelerin her zaman kurulum çizimlerinde verilen değerlere uygun olması koşuluyla, cihazın arkasındaki tezgah etrafında masif ahşap profillerin kullanılmasına izin verilir.
- Ocağın altında fırın yoksa, cihazın altına montaj talimatlarında gösterildiği gibi bir ayırma paneli monte edin.

Çevresel yönler

Ev aletlerinin bertarafı

- Ürünün veya ambalajının üzerindeki  sembolü, ürünün normal evsel atıklarla birlikte atılmaması gerektiğini gösterir. Ürün, elektrikli ve elektronik bileşenlerin geri dönüşümünde uzmanlaşmış bir merkezde bertaraf edilmelidir. Bu ürünün doğru şekilde imha edildiğinden emin olunması, çevre ve sağlık için uygun olmayan bertarafı kaynaklanabilecek olası olumsuz sonuçların önlenmesine yardımcı olacaktır. Bu ürünün geri dönüşümü hakkında daha ayrıntılı bilgi için, belediye yetkilileri, yerel atık imha servisi veya ürünün satın alındığı mağaza ile temasa geçin.

Ambalaj malzemelerinin bertarafı

 Sembolünü taşıyan malzemeler geri dönüştürülebilirler. Ambalaj malzemelerini geri dönüşüme özel toplama konteynerlerine atın.

Enerji Tasarrufu

Aşağıdaki ipuçlarını göz önünde bulundurarak pişirme sırasında günlük enerji tasarrufu yapabilirsiniz.

- Suyu ısıtırken sadece gerekli miktarı kullanın.
- Mümkünse tencereleri daima kapakla kapatın.
- Pişirme bölgesini etkinleştirmeden önce tencereyi yerleştirin.
- Daha küçük tencereleri daha küçük pişirme bölgelerine yerleştirin.
- Tencereleri doğrudan pişirme bölgesinin ortasına yerleştirin
- Yiyecekleri sıcak tutmak veya eritmek için artık ısı kullanın.

Temizlik ve Bakım

- Asla yüzeyde çizik veya iz bırakabilecek aşındırıcı süngerler, çelik yünü, tuz ruhu veya diğer ürünleri kullanmayın.
- Yüzeye ve ocağın işlevsel veya estetik elemanları üstüne düşen veya buralarda biriken yiyecek artıklarını tüketmeyin.
- Her türlü temizlik ya da bakım operasyonundan önce, cihazı kapatın ya da elektrik besleme şebekesi ile bağlantısını kesin.
- Yiyecek kalıntılarının kömürleşmesini önlemek için her kullanımdan sonra cihazı temizleyin. Sertleşmiş veya yanmış kir izlerini temizlemek çok daha zordur.
- Günlük kirleri temizlemek için uygun bir deterjanla yumuşak bir bez veya sünger kullanın. Kullanılacak deterjanlarla ilgili üreticinin tavsiyelerine uyun. Koruyucu deterjanların kullanılması tavsiye edilir.
- Ocak hala sıcakken bir cam seramik kazıyıcı kullanarak süt taşması gibi sertleşmiş kir izlerini temizleyin. Kullanılacak kazıyıcılarla ilgili üreticinin tavsiyelerine uyun.
- Ocak hala sıcakken bir cam seramik kazıyıcı kullanarak reçel gibi şekerli yiyecek artıklarını temizleyin. Bu kalıntılar, temizlenmedikleri takdirde cam seramik yüzeye zarar verebilir.
- Ocak hala sıcakken bir cam seramik kazıyıcı kullanarak plastik kalıntılarını temizleyin. Bu kalıntılar, temizlenmedikleri takdirde cam seramik yüzeye zarar verebilir.
- Ocak soğuduktan sonra kireç lekelerini, sirke veya limon suyu gibi az miktarda kireç önleyici çözelti kullanarak çıkarın. Daha sonra nemli bir bezle tekrar silin.

- Yüzeyle yiyecek kesmeyin veya hazırlamayın ve üzerine sert cisimlerin düşmesini önleyin. Tencere veya tabakları yüzeyle sürüklemeyin.
- Buharlı temizleyiciler kullanmayın.

Üretici

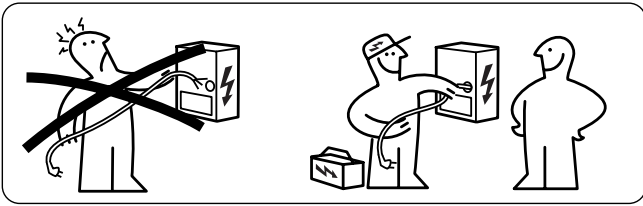
Ikea of Sweden AB - SE - 343 81 Älmhult, İsviçre

Elektrik bağlantıları

UYARI! Tüm elektrik bağlantıları montaj yapmaya yetkili bir kişi tarafından yapılmalıdır.

- Bağlantıları yapmadan önce bilgi plakasında belirtilen cihazın anma geriliminin şebeke besleme gerilimine karşılık geldiğinden emin olun. Veri plakası ocağın tabanına takılmıştır.
- Yalnızca yedek parça servisi tarafından temin edilen orijinal bileşenlerden yararlanın.
- Cihaz şebeke kablosuyla donatılmamıştır. Doğru olan ürünü uzman bir satıcıdan alın.
- Hasar görmüşse, güç kablosunu karşılık gelen orijinal yedek parça kablolarla değiştirin. IKEA mağazanızın çağrı merkeziyle iletişime geçin.

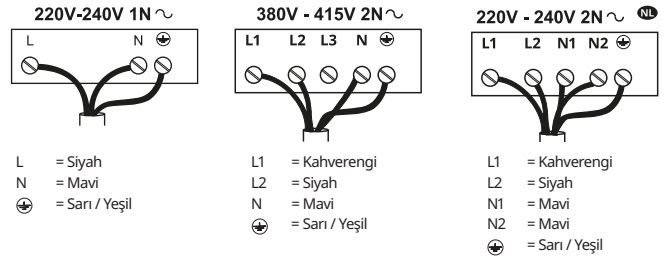
Dikkat! Kabloları kaynak yapmayın!



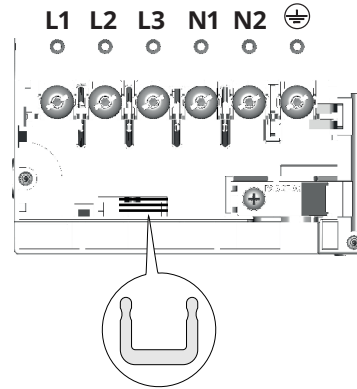
Elektrik bağlantıları


- Bağlantı şemasına dikkat edin (ürünün alt tarafında bulunur).
- Bu cihazda "Y" tipi bağlantı özelliği mevcuttur ve cihaz H05VV-F güç kablosu gerektirir. Kablo zorunlu terminal kılıfları gerektirir. IEC standardına göre tek fazlı bağlantı için 3 x 4 mm² güç kablosu, çift fazlı bağlantı için 4 x 2,5 mm² güç kablosu ve Hollanda'da bağlantı için 5 x 2,5 mm² güç kablosu kullanın. Güç kablosunun dış çapı: en az 8 mm - en çok 12 mm. Özel ulusal standartlara uygun hareket etmeniz rica edilir.
- Bağlantı kelepçelerine bağlantı kutusunun kapağı çıkarılarak erişilebilir.
- Ev elektrik sisteminin (voltaj, maksimum güç ve akım) özelliklerinin cihazınızla uyumlu olduğunu doğrulayın.
- Cihazı şemada gösterildiği gibi bağlayın (ulusal şebeke gerilimi referans standartlarına uygun olarak).

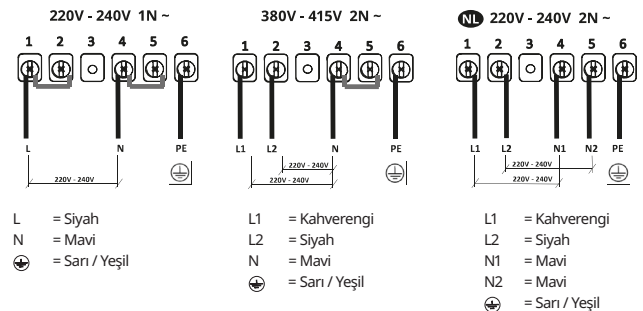
Ev tarafı bağlantı şeması



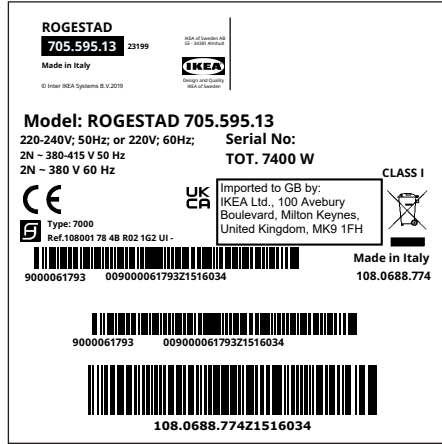
Ürün tarafı bağlantı şeması



Akım şantlarını terminaler arasında  gösterildiği gibi yerleştirin



Veri plakası



Yukarıdaki resim cihazın veri plakasını göstermektedir. Her ürünün seri numarası kendisine özeldir. Sayın Müşterimiz, Lütfen ürünle birlikte verilen ek veri plakasını Güvenlik Kitapçığının kapağına yapıştırın.

Bu şekilde, gelecekte yardıma ihtiyacınız olması durumunda, satın aldığınız ocağı doğru bir şekilde belirleyerek size daha iyi yardımcı olabileceğiz. İşbirliğiniz için teşekkürler!

IKEA GARANTİSİ

IKEA garanti belgesi ne kadar süre için geçerlidir?

Bu garanti, cihazın IKEA'dan satın alındığı tarihten itibaren beş (5) yıl geçerlidir. Orijinal makbuz, satın alma makbuzunun vazgeçilmez bir parçasıdır. Garanti kapsamında yürütülen bir onarım, cihazın garanti süresini uzatmaz.

Destek hizmeti sağlayan kimdir?

Müşteri hizmetleri, kendi organizasyon ağı ya da yetkili servis ortakları şebekesi aracılığıyla, IKEA tarafından tayin edilen servis sağlayıcısı tarafından sağlanacaktır.

Garanti neleri kapsar?

Garanti, ev aletlerinin malzemesine ve/veya yapımına ilişkin muhtemel kusurları kapsar ve bir IKEA satış mağazasından ev aletinin satın alındığı tarihten itibaren geçerlidir. Garanti, sadece ev içi kullanıma adanmış cihazlar için geçerlidir. İstisnalar, "Garanti neleri kapsamaz?" bölümünde açıklanmıştır. Garanti süresince, tamir masraflarına (yedek parça, işçilik ve teknik eleman transferleri) ilişkin onarım masrafları, onarım ekipmanına erişimin özel bir masraftan arınmış olması şartıyla satış sonrası servisi tarafından karşılanacaktır. Bu koşullar, AB direktiflerine (99/44/CE) ve uygulanabilir yerel kanun ve yönetmeliklere uygundur. İkame edilen parçalar, IKEA'nın mülkiyetine gireceklerdir.

Sorunu çözmek için IKEA nasıl müdahale edecektir?

IKEA tarafından tayin edilen hizmet sağlayıcısı, ürünü inceler ve kendi takdirine bağlı olarak garanti kapsamına girip girmediğine karar verir. Kabul edilmesi durumunda, IKEA servis sağlayıcısı ya da yetkili servis ortağı, servis merkezleri aracılığıyla, yalnızca kendi takdirine bağlı olarak, arızalı ürünü onaracak ya da eşit ya da benzer bir ürünle değiştirecektir.

Garanti neleri kapsamaz?

- Normal aşınma.
- Kullanım talimatlarına uyulmamasından kaynaklanan hasar, kasıtlı veya ihmalkarlık nedeniyle meydana gelen hasar, yanlış kurulum, yanlış voltaj bağlantısı, kimyasal veya elektrokimyasal

reaksiyonlardan kaynaklanan hasar, pas, korozyon veya sudan kaynaklanan hasar dahil su borularında aşırı kireçtaşının varlığından kaynaklanan hasar ve atmosferik ve doğal olaylardan kaynaklanan hasarlar dahil ancak bunlarla sınırlı değildir.

- Aşınmaya tabi parçalar, örneğin bataryalar ve ampuller.
- Cihazın normal kullanımın etkilemeyen, dekoratif ve fonksiyonel olmayan bölümler, örneğin çizikler ve renk varyasyonları.
- Yabancı cisimlerden ya da maddelerden, temizlik ve filtrelerin açılmasından, ve tahliye sistemlerinden veya deterjan gözlemlerinden kaynaklanan kaza sonucu hasarlar.
- Hasarların, ürünün hatalı imalatından kaynaklandığı ispat edilmediği sürece, cam seramik parçalar, aksesuarlar, bulaşık ve çatal kaşık sepetleri, besleme ve tahliye boruları, contalar, lambalar ve ilgili korumaları, ekranlar, düğmeler, kaplamalar ve kaplama ve muhafaza parçaları gibi bölümlerde meydana gelen hasarlar.
- Bir teknisyenin kontrolü esnasında kusur olarak tespit edilmeyen durumlar.
- IKEA ya da yetkili servis ortağı tarafından tayin edilen hizmet sağlayıcısı tarafından gerçekleştirilmeyen onarımlar veya orijinal parça kullanılmadan yürütülen onarımlar.
- Yanlış kurulumdan ya da özellikler uymayan montajdan kaynaklanan onarımlar.
- Cihazın ev içi olmayan bir ortamda kullanılması, örneğin mesleki kullanım için.
- Nakliyeden kaynaklı hasarlar. Müşteri tarafından evinde veya başka bir yerde taşınması durumunda, nakliye sırasında meydana gelen hasarlardan IKEA sorumlu tutulamaz. Ancak, eğer nakliye, müşterinin adresine IKEA tarafından gerçekleştirilmişse, nakliye sebebiyle oluşan muhtemel hasarlar, garanti kapsamına gireceklerdir.
- IKEA cihazının ilk kurulum maliyeti. Ancak, IKEA tarafından tayin edilen bir hizmet sağlayıcısı ya da yetkili servis eğer garanti kapsamı süresi içinde cihazın bir onarım ya da ikame işlemini gerçekleştirirse, tedarikçi veya yetkili servis, gerek duyulduğu

takdirde, onarılan cihazın yeniden kurulumunu veya ikame edilen cihazın kurulumunu da sağlayacaklardır.

Bu sınırlamalar, cihazın başka bir AB ülkesindeki güvenlik kurallarına adapte edilmesi için, kalifiye personel tarafından ve orijinal yedek parça kullanılarak yürütülen işçilik çalışmalarında uygulanmazlar.

Ulusal mevzuatın uygulanabilirliği

IKEA garantisi, ülkeden ülkeye değişiklik gösteren ve kanun tarafından öngörülen haklara ilaveten, müşteriye özel yasal haklar tanımaktadır. Bununla birlikte, bu koşullar hiçbir şekilde yerel mevzuatta belirtilen tüketici haklarını sınırlamaz.

Geçerlilik Alanı

Bir AB ülkesinde satın alınan ve bir başka AB ülkesine transfer edilen cihazlar için, hizmetler, yeni ülkedeki uygulanabilir koşullar temelinde sağlanacaktır. Garanti koşulları temelinde hizmet sağlama yükümlülüğü, yalnızca cihaz aşağıdakilere uyumlu ve bu koşullar doğrultusunda kurulursa geçerlidir:

- Garantinin uygulanmasının talep edildiği ülkenin teknik özelliklerine uygun olması;
- Kullanım Kılavuzunda bulunan güvenlik bilgileri

IKEA cihazları için tasarlanmış satış-sonrası servis desteği:

Şu hususlar için, IKEA satış-sonrası Destek Servisi ile irtibata geçmekten çekinmeyin:

1. garantiyi kullanarak yardım talebinde bulunun;
2. IKEA'ya özgü mutfak dolaplarına IKEA ev aletlerinin kurulumu hakkında soru sorun. Servisi, aşağıdaki hususlar hakkında hizmet vermeyecek ve açıklamada bulunmayacaktır:
 - IKEA komple mutfak kurulumu;
 - Yetkili bir servis teknisyeni tarafından gerçekleştirilmesi gereken elektrik bağlantıları (eğer cihaz, kablosuz ve fişsiz olarak teslim edilmişse), hidrolik tesisat ve gaz tesisatı bağlantıları.
3. Kullanım kılavuzunun içeriği ve IKEA cihazının özellikleri hakkında açıklama isteyin.

En iyi yardım hizmetinin sağlanması için, irtibata geçmeden önce Montaj Talimatlarını ve/veya Kullanma Kılavuzunu dikkatlice okumanızı rica ederiz.

Eğer bizim müdahalemize ihtiyaç duyarsanız, bize nasıl ulaşabilirsiniz?



Bu kılavuzun son sayfasında IKEA servis sağlayıcılarının tam listesini ve ulusal telefon numaralarını bulabilirsiniz.

Önemli Daha hızlı hizmet alabilmek adına, işbu kılavuzun sonundaki listede bulunan telefon numaralarını kullanmanızı tavsiye ederiz. Yardım talep ederken, daima bu kılavuzda bulunan özel cihaz kodlarına atıfta bulunun. Bizimle irtibata geçmeden önce, desteğin gerekli olduğu cihaza ilişkin IKEA ürün kodunun (8 rakamlı) elinizde bulunduğundan emin olun.

Önemli SATIŞ FİŞİNİ MUHAFAZA EDİN! O satın alma kanıtıdır ve garantiden faydalanabilmeniz için ibraz etmeniz gerekmektedir. Satış fişinin üzerinde, satın alınan IKEA ev aletinin adı ve aynı zamanda (8 rakamlı) kodu da belirtilmiştir.

Başka bir yardıma ihtiyacınız var mı?

Cihaz hakkında, destekle ilgili olmayan başka sorular için, en yakın IKEA satış mağazası ile irtibata geçin. Bize başvurmadan önce lütfen cihaz belgelerini dikkatli bir şekilde okuyun.

Bezpečnostné informácie

i Na zaistenie vlastnej bezpečnosti a na zabezpečenie správneho fungovania spotrebiča si pozorne prečítajte túto príručku ešte pred inštaláciou a uvedením spotrebiča do prevádzky. Tento návod uchovávajte v blízkosti spotrebiča, aj v prípade predaja alebo odovzdania inej osobe. Je dôležité, aby používatelia poznali všetky charakteristiky fungovania a bezpečnosti spotrebiča.

Tieto varné dosky sú vybavené indukčnými systémami spĺňajúcimi požiadavky európskych noriem EMC a EMF a nemali by spôsobovať rušenie iných elektronických zariadení. Osoby s kardiostimulátormi alebo inými implantovanými elektronickými pomôckami sa budú musieť poradiť so svojim ošetrovujúcim lekárom alebo s výrobcom implantovanej pomôcky, aby mohli zhodnotiť jej dostatočnú odolnosť voči rušeniam.

! Elektrické zapojenie musí urobiť kompetentný technik. Pred elektrickým zapojením si dôkladne prečítajte časť ELEKTRICKÉ ZAPOJENIE.

Na zariadeniach s napájacím káblom musia byť svorky alebo úsek vodičov medzi ukotvením kábla a svorkami usporiadané tak, aby sa vodič pod napätím dal v prípade odpojenia z ukotvenia vytiahnuť skôr ako uzemňovací vodič.

- Výrobca nepreberá žiadnu zodpovednosť za prípadné škody vyplývajúce z nesprávnej inštalácie alebo nesprávneho používania.
- Skontrolujte, či napätie v elektrickej sieti napájania v domácnosti zodpovedá napätiu uvedenému na štítku, ktorý je pripevnený na výrobku.
- V rámci elektrickej siete musia byť nainštalované stýkače na prerušenie elektrického obvodu v súlade s platnými normami pre káblové systémy.

- Pri spotrebičoch Triedy I skontrolujte, či je elektrická sieť v domácnosti vybavená primeraným uzemnením.
- Výrobok zapojte k elektrickej sieti prostredníctvom dvoj pólového vypínača
- Pokiaľ by bol elektrický napájací kábel poškodený, musíte ho dať vymeniť u výrobcu, v autorizovanom servisnom stredisku alebo ho zverte kvalifikovanému technikovi, aby ste predišli akémukoľvek riziku alebo nebezpečnej situácii.

! **UPOZORNENIE:** Pred inštaláciou spotrebiča odstráňte ochranné fólie.

- Používajte iba skrutky a iné inštalčné prvky dodané spolu so spotrebičom.

! **UPOZORNENIE:** Ak skrutky alebo upevňovacie prvky nenamontujete podľa opisu v týchto pokynoch, mohlo by to spôsobiť zásahy elektrickým prúdom.

- Čistenie a údržbu nesmú robiť deti, pokiaľ ich nevykonávajú pod dohľadom dospelých osoby.
- Dávajte pozor na deti, aby sa so spotrebičom nehrali.
- Tento spotrebič nesmú používať osoby (vrátane detí) s obmedzenými psychickými, zmyslovými a rozumovými schopnosťami, ani osoby, ktoré nemajú skúsenosti a dostatok poznatkov o obsluhu spotrebiča, pokiaľ nie sú pod dohľadom osoby zodpovednej za ich bezpečnosť alebo ak neboli o obsluhu spotrebiča poučené touto osobou.
- Tento spotrebič smú používať deti vo veku od 8 rokov a osoby s obmedzenými psychickými, zmyslovými a rozumovými schopnosťami, ako aj osoby, ktoré nemajú skúsenosti a dostatok poznatkov o používaní spotrebiča, pokiaľ sú pod dohľadom a boli poučené o obsluhu spotrebiča a o nebezpečenstve, ktoré môže predstavovať. Nedovoľte, aby sa deti hrali so

spotrebičom.

⚠ UPOZORNENIE: Spotrebič a jeho prístupné časti sa počas používania veľmi zohrejú.

Dávajte veľký pozor, aby ste sa nedotýkali odporov.

Deťom vo veku do 8 rokov nedovoľte, aby sa priblížili ku spotrebiču, pokiaľ nie sú pod stálym dohľadom.

UPOZORNENIE: Pokiaľ by boli na povrchu praskliny, spotrebič vypnite, aby ste predišli možnosti zásahu elektrickým prúdom.

- Spotrebič nezapínajte, pokiaľ je povrch poškodený alebo na ňom vidno praskliny materiálu.
- Nedotýkajte sa spotrebiča mokrými rukami ani časťami tela.
- Na čistenie spotrebiča nepoužívajte čistiace prístroje produkujúce paru.
- Na povrch varnej dosky nekladte kovové predmety, ako sú nože, vidličky, lyžice a pokrievky, pretože by sa mohli veľmi zohriať.
- Po použití varnej dosky použite na jej vypnutie príslušný príkaz. Nespoliehajte sa na senzory varných nádob.

UPOZORNENIE: Keď používate olej alebo tuk, je nebezpečné nechať varnú dosku bez dohľadu, pretože by mohli vzniknúť nebezpečné situácie a požiar. Nepokúšajte sa NIKDY zhasiť plamene vodou, naopak, vypnite spotrebič a uduste plamene, napríklad, nejakou pokrievkou alebo prikrývkou proti požiaru.

POZOR: Pri varení nenechávajte nádoby bez dohľadu. Pri krátkom varení musíte na nádoby dohliadať nepretržite.

- Spotrebič nebol navrhnutý, aby sa uvádzal do prevádzky externým časomerom alebo samostatným diaľkovým ovládačom.

UPOZORNENIE: Nebezpečenstvo požiaru: na varné plochy nekladte žiadne predmety.

- Spotrebič sa musí nainštalovať tak, aby

sa dal odpojiť od elektrického napájania pomocou odpojovača s medzerou medzi kontaktmi (3 mm), ktorý zaistí úplné odpojenie pri preťažení za podmienok kategórie III.

- Spotrebič sa nikdy nesmie vystavovať pôsobeniu atmosférických vplyvov (dážď, slnko).
- Obalový materiál uchovávajte mimo dosahu detí a domácich zvierat.
- Uistite sa, že zariadenie je správne zapojené do zásuvky elektrickej siete.
- Na zapojenie spotrebiča nepoužívajte adaptéry, rozbočovače ani predlžovacie káble.
- Spotrebič nikdy nepoužívajte na iné než navrhnuté účely.
- Na fritézy musíte počas používania nepretržite dohliadať: prehriaty olej by sa mohol vznietiť.
- Spotrebič sa nesmie zapínať použitím externého časomeru ani samostatným diaľkovým ovládačom.
- Spotrebič sa nikdy nesmie inštalovať za ozdobné dvierka, aby sa zabránilo možnosti jeho prehriatia.
- Na spotrebič nikdy nestúpajte, pretože by sa mohol poškodiť.
- Nekladte nádoby ani panvice na okraj dosky, pretože by sa mohli poškodiť silikónové spoje.

Inštalácia

Pri inštalácii je nevyhnutné dodržiavať zákony, nariadenia, smernice a normy (bezpečnostné predpisy pre elektrické zariadenia, správnu recykláciu komponentov a pod.) platné v krajine používania!


- Podrobnejšie informácie o inštalácii nájdete v pokynoch na montáž.
- Na utesnenie medzier medzi spotrebičom a pracovnou doskou nepoužívajte silikónové tesnenie.
- Skontrolujte, či priestor pod varnou doskou bude stačiť na prúdenie vzduchu. Pozrite si pokyny na montáž.
- Dno spotrebiča sa môže veľmi zahriať. Ak je spotrebič namontovaný nad zásuvkami, zaistite pod spotrebič montáž nehorľavého separačného panela, ktorý zabráni prístupu ku dnu spotrebiča. Pozrite si pokyny na montáž.
- Vetranie spotrebiča musí spĺňať podmienky pokynov výrobcu.
- V kuchynskej linke, kde sa má umiestniť varná doska, vytvorte vpredu otvor s rozmermi aspoň 28 cm², ktorý zaistí správnu ventiláciu spotrebiča.

Požiadavky na kuchynskú linku


- Pri montáži spotrebiča v linke z horľavého materiálu je nevyhnutné prísne dodržiavať usmernenia a normy súvisiace so zapojením spotrebičov s nízkym napätím a protipožiarne normy.
- Pri spotrebičoch na zabudovanie sa komponenty (plastové a drevotrieskové) musia montovať použitím lepidiel odolných voči teplu (min. 85 °C): použitie nevhodných materiálov a lepidiel môže spôsobiť deformácie a odlepenie komponentov.
- Okolo pracovnej dosky za spotrebičom je dovolené použitie profilov z masívneho dreva za podmienky, že budú dodržané minimálne vzdialenosti uvedené na inštalčných schémach.
- Ak pod varnou doskou nie je rúra, nainštalujte pod spotrebič separačný panel, ako vidno v pokynoch na montáž.

Ochrana životného prostredia

Likvidácia elektrických spotrebičov

- Symbol  na spotrebiči alebo na jeho obale indikuje, že spotrebič sa nesmie likvidovať ako bežný komunálny odpad. Spotrebič určený na likvidáciu sa musí odovzdať na likvidáciu v príslušnom stredisku na zber a recykláciu odpadu z elektrických a elektronických zariadení. Zabezpečením správnej likvidácie spotrebiča prispějete k predchádzaniu negatívnych dopadov na životné prostredie a zdravie ľudí, ktoré by sa ináč mohli prejavovať pri nevhodnom spôsobe jeho likvidácie. Podrobnejšie informácie o recyklácii tohto spotrebiča si vyžiadajte na svojom miestnom úrade, v zberných surovinách alebo v obchode, kde ste spotrebič kúpili.

Likvidácia obalových materiálov

Materiály označené symbolom  sa dajú recyklovať. Obalový materiál vyhodte do vhodných odpadových nádob na zber odpadu na recykláciu.

Úspora energie

Energiu môžete šetriť každý deň, a to dodržiavaním nasledujúcich odporúčaní.

- Pri ohreve vody používajte iba nevyhnutné množstvo.
- Pokiaľ je to možné, nádoby vždy zakryte vhodnou pokrievkou.
- Pred zapnutím varnej dosky na ňu položte nádobu.
- Menšie nádoby položte vždy na menšie varné zóny.
- Nádoby položte priamo do stredu varnej zóny
- Zvyškové teplo použite na udržiavanie jedál v teple alebo na roztápanie.

Čistenie a údržba

- Nikdy nepoužívajte abrazívne špongie, drôtenky, kyselinu chlorovodíkovú ani iné výrobky, ktoré by mohli poškriabať povrch alebo nechať na ňom nejaké stopy.
- Nekonzumujte jedlá, ktoré omylom spadnú alebo sa usadia na povrchu alebo na funkčných alebo dekoračných prvkoch varnej dosky.
- Pred každým úkonom čistenia spotrebič vypnite alebo ho odpojte od elektrického napájania.
- Spotrebič čistite po každom použití, aby ste zabránili, že sa prípadné zvyšky jedla pripália alebo spália. Stvrdnuté alebo pripečené zvyšky sa odstraňujú veľmi ťažko.
- Na odstraňovanie každodenného znečistenia používajte mäkkú handričku alebo špongiu a vhodný čistiaci prípravok.

Dodržiavajte odporúčania výrobcu o používaní prípravkov na čistenie. Odporúča sa používať neutrálne čistiace prípravky.

- Stvrdnuté nečistoty, napr. vykypené mlieko pri varení, odstráňte škrabkou na sklokeramický povrch, kým je varná doska ešte teplá. Dodržiavajte odporúčania výrobcu o používaní škrabiek na čistenie.
- Zvyšky jedál s vysokým obsahom cukru, napr. vykypený džem pri varení, odstráňte škrabkou na sklokeramický povrch, kým je varná doska ešte teplá. Pokiaľ by ste zvyšky neodstránili, mohol by sa sklokeramický povrch poškodiť.
- Prípadné roztavené zvyšky plastu odstráňte vhodnou škrabkou na sklokeramiku, kým je varná doska ešte teplá. Pokiaľ by ste zvyšky neodstránili, mohol by sa sklokeramický

- povrch poškodiť.
- Škvrný od vodného kameňa odstráňte po vychladnutí varnej dosky malým množstvom roztoku na čistenie vápenatých škvŕn, napríklad octom alebo citrónovou šťavou. Potom znovu vyčistite vlhkou handričkou.

- Na povrchu nekrájajte potraviny, nepripravujte jedlá ani nedovoľte, aby naň spadli nejaké tvrdé predmety. Hrnce a panvice po povrchu neťahajte.
- Nepoužívajte čistiace prístroje, ktoré produkujú paru.

Proizvajalec

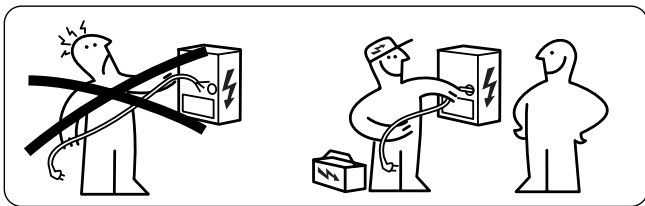
Ikea of Sweden AB - SE - 343 81 Älmhult, Švedska

Elektrické zapojenie

! **UPOZORNENIE:** Všetky elektrické zapojenia musia urobiť špecializovaný pracovník vykonávajúci inštaláciu.

- Pred zapojením zariadenia skontrolujte, či sa nominálne napätie uvedené na údajovom štítku zariadenia zhoduje so sieťovým napätím. Údajový štítok je upevnený na spodnej strane varnej dosky.
- Používajte výhradne originálne diely dodané zo servisu s náhradnými dielmi.
- Zariadenie nie je vybavené sieťovým káblom. Zakúpte si vhodný typ u špecializovaného predajcu.
- Ak sú napájacie káble poškodené, vymeňte ich za náhradné originálne káble. Kontaktujte kontaktné centrum vášho obchodu IKEA.

! **Pozor!** Káble nikdy nezvárajte!



Elektrické zapojenie

- Dodržte schému elektrického zapojenia (umiestnenú na vnútornej strane zariadenia).
- Toto zariadenie je vybavené pripojením ty-pu „Y“ a vyžaduje si napájací kábel H05VV-F. Kábel musí mať povinné koncové spojky. V súlade s normami IEC použite na jednofázové zapojenie: napájací kábel 3 x 4 mm², na dvojfázové zapojenie: napájací kábel 4 x 2,5 mm² a na zapojenie v Holandsku: napájací kábel 5 x 2,5 mm². Vonkajší priemer napájacieho kábla: min. 8 mm – max. 12 mm. Dodržte príslušné vnútroštátne normy.
- K pripojovacím svorkám sa dostanete tak, že zložíte kryt rozvodnej skrinky.
- Skontrolujte, či sú vlastnosti domácej elektrickej siete (napätie, maximálny výkon, prúd) v súlade s vlastnosťami zariadenia.
- Zariadenie zapojte podľa zobrazenej schémy (v súlade s príslušnými platnými vnútroštátnymi normami o napätí siete).

Schéma zapojenia na strane budovy

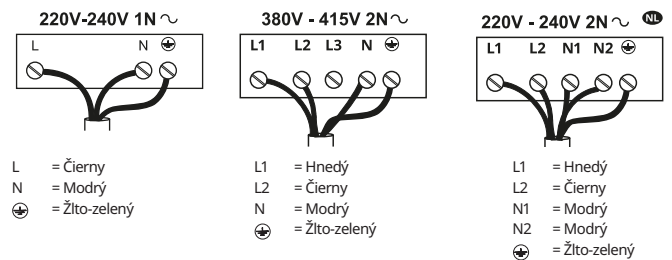
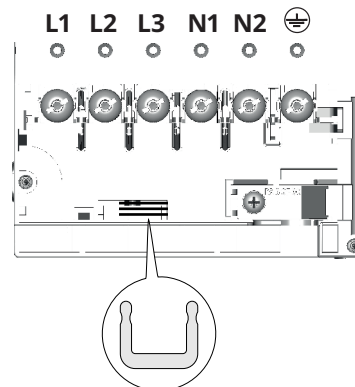
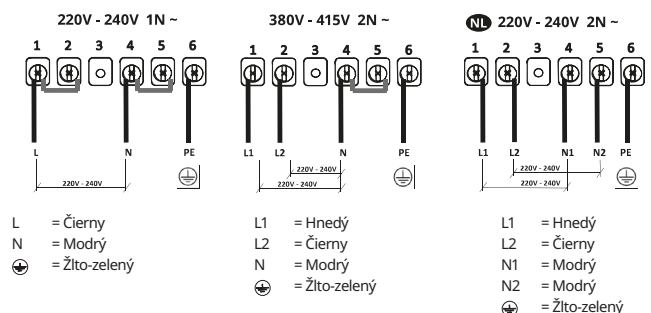


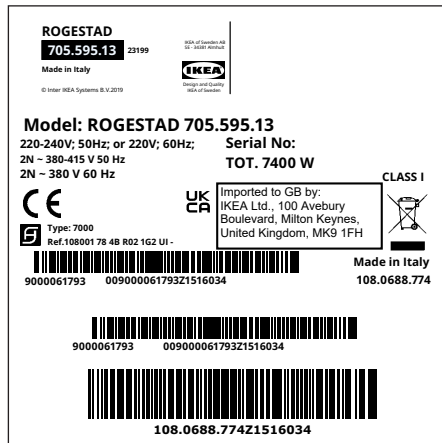
Schéma zapojenia na strane výrobu



IPremostenia zapojte medzi svorky ako vidno na obrázku



Štítok s údajmi



Na obrázku vyššie je zobrazený štítok s údajmi. Sériové číslo je špecifické pre každý výrobok. Vážení zákazníci, odložte si ďalší štítok s údajmi, ktorý je na obálke záručného listu, ktorý sa dodáva vnútri spotrebiča.

Týmto spôsobom vám budeme môcť lepšie pomôcť pri presnej identifikácii vami zakúpenej varnej dosky, pokiaľ by ste v budúcnosti potrebovali našu pomoc. Ďakujeme vám za spoluprácu!

ZÁRUKA IKEA

Ako dlho platí záruka IKEA?

Táto záruka platí po dobu piatich (5) rokov od pôvodného dňa zakúpenie vášho spotrebiča v IKEA. Ako dôkaz nákupu sa vyžaduje originálna účtenka. Ak sú vykonané servisné práce počas záruky, toto nepredlži obdobie záruky pre tento spotrebič.

Kto vykoná servis?

Poskytovateľ služieb IKEA poskytne servis pomocou svojich vlastných servisných prevádzok alebo siete autorizovaných servisných partnerov.

Na čo sa vzťahuje táto záruka?

Záruka pokrýva chyby spotrebiča, ktoré boli spôsobené chybnou konštrukciou alebo chybným materiálom od dňa nákupu v IKEA. Táto záruka sa vzťahuje iba na domáce použitie. Výnimky sú špecifikované pod titulkom „Čo nie je pokryté touto zárukou?“ V období záruky budú náklady na napravenie chyby napr. opravy, diely, práca a cestovanie pokryté, za predpokladu, že spotrebič je dostupný pre opravu bez špeciálnych nákladov. Na tieto podmienky sa vzťahujú smernice EÚ (č. 99/44/ES) a súvisiace miestne predpisy. Vymenené diely sa stávajú majetkom IKEA.

Čo spraví IKEA pre napravenie problému?

Vybraný poskytovateľ služieb IKEA preskúma produkt a rozhodne, podľa vlastného uváženia, či sa naň záruka vzťahuje. Ak sa rozhodne, že áno, poskytovateľ služieb IKEA alebo jeho autorizovaný servisný partner prostredníctvom svojich vlastných servisných prevádzok potom podľa vlastného uváženia buď opraví chybný produkt, alebo ho nahradí rovnakým alebo porovnateľným produktom.

Na čo sa naša záruka nevzťahuje?

- Bežné opotrebenie.
- Úmyselné poškodenie alebo poškodenie z nedbanlivosti, poškodenie spôsobené nedodržaním návodu na obsluhu, nesprávnou inštaláciou, alebo zapojením na nesprávne napätie, poškodenie spôsobené chemickou alebo elektrochemickou

reakciou, hrdza, korózia, alebo poškodenie vodou, okrem iného vrátane poškodenia spôsobeného nadmerným vodným kameňom vo vode, poškodenie spôsobené abnormálnymi podmienkami prostredia.

- Spotrebné diely vrátane batérii a lúčok.
- Nefunkčné a dekoratívne časti, ktoré neovplyvňujú bežné použitie tohoto spotrebiča, vrátane škrabancov a možných farebných rozdielov.
- Náhodné poškodenie spôsobené cudzími predmetmi, alebo látkami a čistenie, alebo odblokovanie filtrov, odtokových systémov, alebo poličiek na mydlo.
- Poškodenie nasledovných častí: keramické sklo, vybavenie, keramických nádob a košík na príbor, trúbky prítoku a odtoku, tesnenia, lampy a krytky lúčok, obrazovky, tlačidlá, obaly a časti obalov. Pokiaľ nie je možné dokázať, že poškodenie bolo spôsobené chybnou výrobou.
- Prípady, kedy technik nenašiel žiadnu chybu.
- Opravy nevykonané nami určeným poskytovateľom služieb a/alebo autorizovaným kontrakčným servisným partnerom, alebo keď boli použité neoriginálne diely.
- Opravy spôsobené inštaláciou, ktorá je chybná, alebo nie je v súlade so špecifikáciami.
- Použitie spotrebiča v inom prostredí ako v domácnosti, napr. profesionálne použitie.
- Poškodenie pri preprave. Ak zákazník prepravuje výrobok domov alebo na inú adresu, IKEA nie je zodpovedná za žiadne poškodenie, ktoré mohlo nastať počas prepravy. Ale ak IKEA tento produkt doručuje na doručovaciu adresu zákazníka, potom poškodenie produktu, ktoré nastalo počas tejto prepravy, bude pokryté touto zárukou.
- Náklady za vykonanie počiatočnej inštalácie spotrebiča IKEA. Ak ale poskytovateľ služieb IKEA alebo jeho autorizovaný servisný partner opraví, alebo nahradí spotrebič podľa podmienok záruky, poskytovateľ služieb alebo jeho autorizovaný servisný partner znovu nainštaluje opravený spotrebič alebo nainštaluje náhradu, ak je to potrebné.

Toto obmedzenie sa nevzťahuje na bezchybnú prácu vykonanú kvalifikovaným špecialistom pri použití našich originálnych dielov za účelom adaptácie spotrebiča na technické špecifikácie inej krajiny EÚ.

Ako sa aplikuje zákon krajiny

IKEA záruka poskytuje špecifické zákonné práva, ktoré pokrývajú alebo presahujú miestne požiadavky. Tieto podmienky ale žiadnym spôsobom neobmedzujú spotrebiteľské práva popísané v miestnej legislatíve

Oblasť platnosti

Pre spotrebiče, ktoré sú zakúpené v jednej krajine EÚ a prenesené do inej krajiny EÚ, sa služby budú poskytovať v rámci podmienok záruky, ktoré sú bežné v novej krajine. Povinnosť poskytnúť služby v rámci záruky existuje, iba ak spotrebič vyhovuje predpisom a je nainštalovaný v súlade s:

- technickými špecifikáciami tejto krajiny, v ktorej je vznesený nárok na záruku;
- návodom na montáž a informáciami o bezpečnosti z užívateľskej príručky;

Vyhradené následné služby pre spotrebiče IKEA:

Prosím neváhajte kontaktovať oddelenie následných služieb IKEA, ak chcete:

1. žiadať o záručný servis;
2. položiť otázku pre objasnenie inštalácie spotrebiča IKEA vo vyhradenom kuchynskom nábytku IKEA. Oddelenie služieb neposkytuje objasnenia, týkajúce sa:
 - celkovej inštalácie kuchyne IKEA;
 - zapojenia do elektrickej siete (ak prístroj príde bež zástčky a kábla), na vodu a na plyn, keďže zapojenie musí byť vykonané autorizovaným servisným technikom.
3. otázok pre objasnenie obsahu užívateľskej príručky a špecifikácie spotrebiča IKEA.

Aby sme zaistili, že vám poskytujeme najlepšiu pomoc, podrobne si prečítajte návod na montáž a/alebo časť príručky používateľa predtým, ako nás kontaktujete.

Ako sa k nám dostať, ak potrebujete naše služby



Pozrite sa na poslednú stranu tejto príručky, kde je kompletný zoznam kontaktov určených IKEA so súvisiacimi národnými telefónnymi číslami.


Dôležité! Aby sme vám poskytli čo najrýchlejší servis, odporúčame, aby ste použili špecifické telefónne čísla uvedené na konci tejto príručky. Vždy sa pozrite na čísla uvedené v brožúre špecifického spotrebiča, pre ktorý vyžadujete asistenciu. Predtým ako nám zavoláte, uistite sa, že uvádzate objednávacie číslo IKEA (8 miestny kód) pre spotrebič, ku ktorému potrebujete našu asistenciu.

Dôležité! UCHOVAJTE SI ÚČTENKU! Je to váš dôkaz o kúpe a je potrebný pre uplatnenie záruky. Všimnite si, že na účtenke je aj názov a číslo tovaru (8-ciferný kód) používané v IKEA pre každý zo spotrebičov, ktorý ste zakúpili.


Potrebujete mimoriadnu pomoc?

V prípade ľubovoľných ďalších otázok, ktoré nesúvisia s vaším spotrebičom po jeho kúpe. Prosím, kontaktujte naše najbližšie telefonické centrum obchodu IKEA. Odporúčame vám, aby ste si dôkladne prečítali dokumentáciu k spotrebiču pred tým, ako nás bude kontaktovať.

Saugumo informacija

 Kad būtumėte saugus ir būtų užtikrintas tinkamas įrenginio veikimas, prieš montavimą ir naudojimą atidžiai perskaitykite šį vadovą. Laikykite šias instrukcijas su įrenginiu, net jei jis parduodamas arba perduodamas trečiosioms šalims. Svarbu, kad naudotojai žinotų visus įrenginio veikimo ir saugumo techninius duomenis.


Šiose kaitlentėse naudojama indukcijos sistema, kuri atitinka elektromagnetinio suderinamumo standartų (EMC) ir elektromagnetinių laukų (EMF) direktyvos reikalavimus bei neturėtų trikdyti kitų elektroninių prietaisų veikimo. Širdies stimulatorius ir kitus elektroninius implantus naudojantys asmenys privalo pasitarti su savo gydytoju ar implantuoto įrenginio gamintoju, siekiant įvertinti, ar įrenginys yra pakankamai atsparus trikdžiams.

 Prijungimą prie elektros tinklo turi atlikti apmokytas technikas. Prieš atliekant prijungimą prie elektros tinklo, perskaitykite skyrius PRIJUNGIMAS PRIE ELEKTROS TINKLO.


Jei naudojamas renginys su maitinimo laidu, gnybtai ar laido atkarpa tarp laido tvirtinimo taško ir gnybtų turi būti išdėstyti taip, kad, jei laidas iškristų iš jo tvirtinimo taško, su įtampa veikiančius laidus būtų galima ištraukti anksčiau nei įžeminimo laidą.

- Gamintojas nebus atsakingas už bet kokią žalą dėl neteisingo ar netinkamo montavimo.
- Patikrinkite, ar maitinimo šaltinis atitinka ant produkto viduje pritvirtintos techninių duomenų lentelės nurodytą maitinimo šaltinį.
- Automatiniai išjungikliai sistemoje turi būti montuojami pagal elektros laidų įrengimo taisykles.


- I klasės įrenginiai: patikrinkite, ar tiekiant elektrą buitiniam vartotojui garantuojamas pakankamas įžeminimas.
- Junkite įrenginį prie elektros tinklo naudodami daugiapolį jungiklį.
- Jei maitinimo laidas yra pažeistas, siekiant išvengti bet kokio pavojaus, jį turi pakeisti gamintojas, įgaliotas aptarnavimo centras ar kvalifikuotas technikas.

 **ĮSPĖJIMAS:** Prieš montuodami įrenginį nuimkite apsaugines plėveles.

- Naudokite tik su įrenginiu tiekiamus varžtus ir kitus techninės įrangos elementus.

 **ĮSPĖJIMAS:** Jei montuojant sraigtus ar tvirtinimo detales nebus laikomasi šioje instrukcijoje nurodytų reikalavimų, gali iškilti elektros smūgio pavojus.

- Vaikai negali valyti ir prižiūrėti įrenginio, išskyrus atvejus, jei juos prižiūri suaugęs asmenys.
- Prižiūrėkite vaikus, kad jie nežaistų su prietaisu.
- Įrenginys nėra tinkamas naudoti asmenims (įskaitant vaikus) su ribotais fiziniais, jutimo ar protiniais gebėjimais, nepatyrusiems ar neapmokytiems asmenims, išskyrus, jei už tokių asmenų saugą atsakingas asmuo juos prižiūri ir apmokė saugiai naudotis įrenginiu.
- Šiuo įrenginiu gali naudotis vyresni nei 8 metų vaikai, asmenys su ribotais fiziniais, jutimo ar protiniais gebėjimais ir nepatyrę ar neapmokyti asmenys, jei jie yra prižiūrimi ir buvo tinkamai apmokyti saugiai naudotis įrenginiu bei supranta jo keliamą pavojų. Neleiskite vaikams žaisti su įrenginiu.

 **ĮSPĖJIMAS:** Šis įrenginys ir jo liečiamos dalys naudojimo metu įkaista.

Būkite atsargūs ir nelieskite kaitinimo elementų.

Jaunesni nei 8 metų vaikai turi būti atokiau

nuo įrenginio, nebent jie yra nuolat prižiūrimi.

ĮSPĖJIMAS: Jei paviršiuje matomi bet kokie įtrūkimo ženklai, išjunkite įrenginį, kad apsisaugotumėte nuo elektros smūgio pavojaus.

- Neįjunkite įrenginio, jei paviršius yra įtrūkęs ar matomi bet kokie medžiagos pažeidimai.
- Nelieskite įrenginio, jei jūsų rankos ar kūnas yra šlapi.
- Nenaudokite garų prietaisų produkto valymui.
- Nedėkite metalinių objektų, pvz., peilių, šakučių, šaukštų ir keptuvių dangčių, ant kaitlentės paviršiaus, nes jie gali perkaisti.
- Išjunkite kaitlentę po naudojimo, nepamirškite keptuvių jutikliais.

ĮSPĖJIMAS: Neprižiūrimas maisto gaminimas ant kaitlentės su aliejumi ir riebalais gali būti pavojingas ir gali sukelti gaisrą. NIEKADA negesinkite liepsnos vandeniu; išjunkite įrenginį ir uždenkite liepsną, pavyzdžiui, naudodami keptuvės dangtį ar priešgaisrinę antklodę.

DĖMESIO: Maisto gaminimas turi būti prižiūrimas. Trumpas maisto gamavimo procesas turi būti nuolat prižiūrimas.

- Įrenginys nėra įjungiamas naudojant išorinį laikmatį ar atskirą nuotoliniu būdu valdomą sistemą.

ĮSPĖJIMAS: Gaisro pavojus: nedėkite objektų ant kaitlentės paviršiaus.

- Įrenginys turi būti sumontuotas tokiu būdu, kad jį būtų galima atjungti nuo elektros tinklo kontaktine anga (3 mm), kuri užtikrina visišką atjungimą, esant III kategorijos perkrovos sąlygoms.
- Įrenginys niekada neturi būti veikiamas oro sąlygų (lietaus, saulės).
- Laikykite pakuotės medžiagą toliau nuo vaikų ir gyvūnų.
- Įsitikinkite, kad įrenginys yra tiesiogiai prijungtas prie elektros lizdo.

- Nenaudokite adapterių, kelių lizdų ar ilgiklių įrenginio prijungimui.
- Niekada nenaudokite įrenginio kitiems tikslams, išskyrus tuos, kuriems jis skirtas.
- Naudojamos gruzdintuvės turi būti nuolat prižiūrimos: per karštas aliejus gali užsidegti.
- Nenaudokite įrenginio su išoriniu laikmačio jungikliu arba atskira nuotolinio valdymo sistema.
- Įrenginys niekada neturi būti įrengiamas už dekoratyvinių durelių, taip apsaugant jį nuo perkaitimo.
- Niekada nestovėkite ant įrenginio, nes tai gali jį pažeisti.
- Nedėkite karštų keptuvių ir puodų ant rėmo, nes tai gali pažeisti silikono tarpiklius.

Montavimas

Montavimas turi būti atliekamas laikantis įrangos naudojimo valstybėje galiojančių įstatymų, potvarkių, direktyvų ir standartų (elektros saugos taisyklių ir nuostatų, tinkamo atliekų tvarkymo pagal taisykles ir t.t.)!


- Daugiau informacijos apie montavimą pateikiama Montavimo instrukcijoje.
- Nenaudokite silikoninio sandariklio tarp įrenginio ir stalviršio.
- Patikrinkite, ar po kaitlente yra pakankamai erdvės oro cirkuliacijai. Skaitykite Montavimo instrukciją.
- Įrenginio apačia gali įkaisti. Jei įrenginys montuojamas virš stalčių, po įrenginiu sumontuokite nedegų atskiriantį skydą, kad uždengtumėte jo dugną. Skaitykite Montavimo instrukciją.
- Įrenginio vėdinimas turi atitikti gamintojo instrukcijas.
- Padarykite priekinę ne mažesnę nei 28 cm² angą, kurioje bus tvirtinama kaitlentė, kad produktas būtų vėdinamas.

Reikalavimai virtuvės baldams


- Jei įrenginys tvirtinamas ant degių medžiagų, privaloma griežtai laikytis žemos įtampos įrenginių ir gaisro prevencijos rekomendacijų ir taisyklių.
- Įmontuojamų įrenginių komponentai (plastikinės medžiagos ir fanera) turi būti surinkti naudojant ugniai atsparius klijus (min. 85 °C); netinkamų medžiagų ir klijų naudojimas gali sukelti deformaciją ir medžiagų atskyrimą.
- Aplink stalviršį už įrenginio galima naudoti dekoratyvinius skietmedžio kraštus, jei minimalus atstumas atitinka montavimo brėžiniuose pateiktus nurodymus.
- Jei po kaitlente nėra orkaitės, po įrenginiu sumontuokite atskiriantį skydą pagal Montavimo instrukciją.

Aplinkosaugos aspektai

Buitinės technikos atliekų šalinimas

- Ant gaminio ar jo pakuotės esantis simbolis  nurodo, kad šis gaminys negali būti šalinamas su įprastomis buitinėmis atliekomis. Šio gaminio atliekos turi būti šalinamos specialiaame elektrinių ir elektroninių gaminių perdirbimo centre. Pasirūpindami tinkamu gaminio atliekų šalinimu, padėsite apsaugoti supančią aplinką ir sveikatą nuo galimų neigiamų pasekmių, kurios gali atsirasti dėl netinkamo atliekų šalinimo. Norėdami gauti daugiau išsamių informacijos apie šio gaminio perdirbimą, kreipkitės į vietos institucijas, vietos atliekų tvarkymo tarnybas arba į parduotuvę, kurioje gaminį įsigijote.

Pakuotės medžiagų atliekų šalinimas

Medžiagos su  simboliu gali būti perdirbamos. Šalinkite pakuotės medžiagų atliekas į specialius perdirbamų medžiagų konteinerius.

Energijos taupymas

Jei laikysitės žemiau pateiktų patarimų, gamindami maistą galite taupyti energiją.

- Jei šildote vandenį, naudokite tik jums reikiamą kiekį.
- Jei įmanoma, visada uždenkite indus dangčiais.
- Prieš įjungdami maisto gaminimo vietą, uždėkite ant jos indą.
- Dėkite mažesnius indus ant mažesnių maisto gaminimo vietų.
- Dėkite indus maisto gaminimo vietos centre.
- Naudokite likutinį karštį maisto šilumos palaikymui arba jo tirpinimui.

Priežiūra ir valymas

- Nenaudokite šiurkščių kempinių, vielos šepetėlių, vandenilio chlorido rūgšties ar kitų produktų, kurie gali subraižyti ar paženklinti paviršius.
- Netyčia nukritęs ar ant kaitlentės paviršiaus, funkcinį ar estetinių elementų susikaupęs maistas negali būti valgomas.
- Prieš atlikdami bet kokius priežiūros darbus, išjunkite prietaisą arba ištraukite kištuką iš elektros tinklo.
- Valykite įrenginį po kiekvieno naudojimo, kad apsaugotumėte maisto likučius nuo pridegimo. Daug sunkiau pašalinti priskrudusius ir pridegusius nešvarumus.
- Kasdieniam valymui naudokite minkštą šluostę ar kempinę ir tinkamą valymo priemonę. Laikykitės gamintojo rekomendacijų dėl naudojamų valymo priemonių.

Rekomenduojama naudoti apsaugines valymo priemones.

- Valykite pridegusį paviršius, pavyzdžiui, išbėgusį pieną, naudodami stiklo keramikai tinkamą grandiklį, kol kaitlentė vis dar karšta. Laikykitės gamintojo rekomendacijų dėl naudojamų grandiklių.
- Valykite cukraus turintį maistą, pavyzdžiui, išsiliejusią uogienę, naudodami stiklo keramikai tinkamą grandiklį, kol kaitlentė vis dar karšta. Jei to neatliksite, maisto likučiai gali pažeisti stiklo keramikos paviršius.
- Valykite ištirpusį plastiką naudodami stiklo keramikai tinkamą grandiklį, kol kaitlentė vis dar karšta. Jei to neatliksite, maisto likučiai gali pažeisti stiklo keramikos paviršius.
- Valykite kalkes naudodami mažą kalkių šalinimo priemonės,

pavyzdžiui, acto ar citrinos rūgštis, kiekį kaitlentei atvėsus. Tada vėl nuvalykite drėgna šluoste.

- Ant paviršiaus neruoškite maisto; saugokite, kad ant paviršiaus nenukristų sunkių daiktų. Netraukite keptuvių ar lėkščių per paviršių.
- Nenaudokite garų valymo įrangos.

Ražotājs

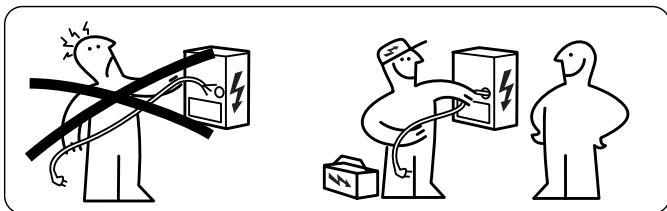
Ikea of Sweden AB - SE - 343 81 Älmhult, Zviedrija

Jungimas prie elektros tinklo

⚠️ ĮSPĖJIMAS: Visus jungimo prie elektros tinklo darbus turi atlikti įgaliotas montuotojas.

- Prieš prijungdami patikrinkite, ar atitinkamoje duomenų plokštelėje nurodyta nominali prietaiso įtampa atitinka tinklo maitinimo įtampą. Duomenų plokštelė yra pritvirtinta apatinėje kaitlentės pusėje.
- Naudokite tik su atsarginių dalių tarnybos tiekiamas originalias dalis.
- Prietaisas neturi elektros tinklo laido. Įsigykite tinkamą iš specializuoto pardavimo atstovo.
- Jei pažeisti, pakeiskite maitinimo laidus atitinkamais originaliais atsarginiais laidais. Kreipkitės į savo IKEA parduotuvės skambučių centrą.

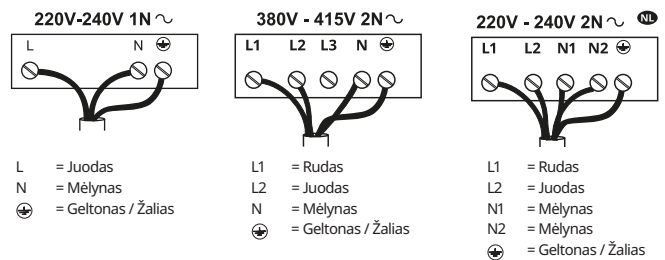
⚠️ Atsargiai! Nevirinkite jokių laidų!



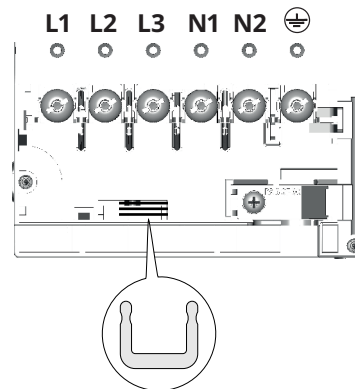
Jungimas prie elektros tinklo

- Vadovaukitės sujungimo schema (pateikta produkto apatinėje dalyje).
- Šis prietaisas turi „Y“ tipo jungtį ir jam reikalingas maitinimo laidas H05VV-F. Laidui būtinos galinės movos. Pagal IEC reglamentą naudokite vienfazei jungčiai: 3 x 4 mm² maitinimo laidą, dvifazei jungčiai: 4 x 2,5 mm² maitinimo laidą, olandiškai jungčiai: 5 x 2,5 mm² maitinimo laidą. Išorinis maitinimo laido skersmuo: min. 8 mm - maks. 12 mm. Laikykites konkrečių nacionalinių reglamentų.
- Jungčių gnybtus galima pasiekti nuėmus elektros jungčių dėžutės dangtelį.
- Patikrinkite, ar buitinės elektros energijos tiekimo charakteristikos (įtampa, maksimali galia ir srovė) atitinka įrenginio charakteristikas.
- Prijunkite įrenginį kaip parodyta schemoje (laikantis šalyje galiojančių tinklo įtampos standartų).

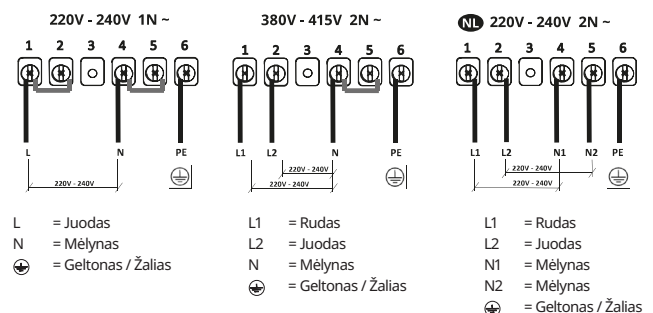
Prijungimo schema dėžės pusėje



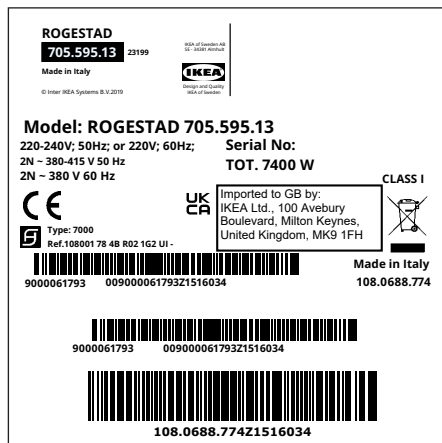
Prijungimo schema ant produkto šono



Įdėkite gnybtus U tarp varžtų, kaip parodyta



Techninių duomenų lentelė



Aukščiau pateiktame paveiksle pavaizduota įrenginio techninių duomenų lentelė.

Kiekvieno produkto serijos numeris yra specifinis.

Gerbiamas kliente, laikykite prie Saugos brošiūros viršelio pritvirtintą papildomą techninių duomenų lentelę produkto viduje.

Tai leis mums geriau jums padėti identifikuojant kaitlentę, jei prireiktų pagalbos ateityje.

Dėkojame už jūsų pagalbą!

„IKEA“ GARANTIJA

Kiek galioja IKEA garantija?

Ši garantija galioja penkerius (5) metus nuo pirminės jūsų gaminio įsigijimo datos IKEA parduotuvėje. Kaip pirkimo įrodymo reikalaujama originalaus pirkimo kvito. Jei priežiūros darbai atliekami pagal garantiją, tai nebus pagrindo pailginti šio prietaiso garantijos laikotarpį.

Kas atliks priežiūros darbus?

IKEA paslaugų teikėjas suteiks paslaugas per savo paslaugų operatorių arba įgaliotųjų paslaugų partnerių tinklą.

Kam ši garantija netaikoma?

Garantija taikoma prietaiso gedimams, kurie atsirado dėl blogos konstrukcijos arba medžiagų defektų nuo gaminio pirkimo datos iš IKEA. Ši garantija taikoma tik buitiniam naudojimui. Išimtyra yra nurodytos po antrašte „Kam ši garantija netaikoma“? Garantinio laikotarpio metu išlaidos reikalingos gedimui šalinti, pvz., remonto darbų, dalių ir transporto kaštai bus padengti, su sąlyga, jei remontuotina prietaisą galima pasiekti be ypatingų išlaidų. Pagal šias sąlygas taikomos ES direktyvos (nr. 99/44/EG) ir atitinkamos vietinės taisyklės. Pakeistos dalys tampa IKEA nuosavybe.

Ką darys IKEA, kad ištaisytų problemą?

IKEA paskirtas paslaugų teikėjas patikrins gaminį ir nuspręs savo asmenine nuožiūra, ar duotu atveju ši garantija taikoma. Jei bus nuspręsta, kad garantija taikoma, tada IKEA paslaugų teikėjas arba įgaliotasis paslaugų partneris, teikiantis paslaugas, savo asmenine nuožiūra suremontuos sugedusį prietaisą arba pakeis jį tuo pačiu ar panašiu gaminiu.

Kam ši garantija netaikoma?

- Įprastam susidėvimui.
- Tyčinei žalai ar žalai dėl nerūpestingumo, žalai, kuri atsirado dėl nesugebėjimo laikytis naudojimo nurodymų, netinkamo montavimo arba jungimo prie netinkamo įtampos šaltinio, žalai dėl cheminės arba elektrocheminės reakcijos, rūdijimo, korozijos arba vandens padarytai žalai, įskaitant, bet

neapsiribojant, žalai, kuri atsirado dėl didelio kalkių kiekio vandens sistemoje, žalai, kurią padarė nenormalios aplinkos sąlygos.

- Susidėvinčioms dalims, įskaitant baterijas ir lemputes.
- Nefunkcinėms ir apdailos dalims, kurios neturi įtakos įprastam prietaiso veikimui, įskaitant įbrėžimus ir galimus spalvos skirtumus.
- Atsitiktinei žalai, kurią padarė pašaliniai daiktai arba medžiagos ir filtrų valymas bei atblovimas, drenažo sistema ar muilo stalčiukai.
- Šių dalių žalai: keraminiam stiklui, priedams, indų ar stalo įrankių krepšiams, tiekimo ar drenažo vamzdžiams, sandarinimams, lempoms ir lempų dangčiams, ekranams, rankenoms, apvalkalams ir apvalkalų dalims. Išskyrus atvejus, jei bus galima įrodyti, kad tokia žala atsirado dėl gaminio defektų.
- Atvejams, kai atvykęs techninis darbuotojas negali nustatyti gedimo.
- Remonto darbams, kuriuos atliko ne mūsų įgaliotasis paslaugos teikėjas ir/arba įgaliotasis paslaugas pagal sutartį teikiantis partneris ar jei buvo naudojamos neoriginalios dalys.
- Remonto darbams, kuriuos reikėjo atlikti dėl netinkamo montavimo arba reikalavimų nesilaikymo.
- Jei prietaisas naudojamas nebutinėje aplinkoje, pvz., profesionaliems tikslams.
- Gedimams, atsiradusiems transportavimo metu. Jei perkėjas transportuoja gaminį į savo namus arba kitu adresu, IKEA nėra atsakinga už žalą, kuri gali atsirasti transportavimo metu. Tačiau jei gaminius pristato IKEA pirkėjo adresu, tada žalai, kuri atsiranda jį pristatant, ši garantija yra taikoma.
- Išlaidų, kurios susijusios su pradiniu IKEA įrenginio montavimu. Tačiau jeigu IKEA paslaugos teikėjas arba įgaliotasis paslaugų partneris pagal šios garantijos sąlygas suremontuoja arba pakeičia šį prietaisą, paslaugos teikėjas arba jo įgaliotasis paslaugų partneris vėl sumontuos suremontuotą įrenginį arba, jei reikia, sumontuos pakeistą įrenginį.

Šis apribojimas netaikomas kokybiškiems darbams, kuriuos atliko kvalifikuotas specialistas, naudodamas originalias dalis, turėdamas tikslą pritaikyti įrenginį prie techninių saugumo reikalavimų kitoje ES šalyje.

Kaip taikomi šalies įstatymai

IKEA garantija Jums suteikia specialias juridines teises, kurios apima ar viršija vietos reikalavimus. Tačiau šios sąlygos jokių būdu neapriboja vartotojų teisių, nurodytų pagal vietos įstatymus.

Galiojimo sritis

Įrenginiams, kurie yra įsigijami vienoje iš ES šalių ir išvežami į kitą ES šalį, paslaugos bus teikiamos laikantis garantinių sąlygų, kurios paprastai galioja naujoje šalyje. Įsipareigojimas atlikti pagal garantiją numatytas paslaugas galioja tik tuomet, jei įrenginys atitinka ir yra sumontuotas pagal:

- technines sąlygas šalies, kurioje garantinis reikalavimas yra pateiktas;
- surinkimo nurodymus ir vartotojo vadovo saugumo informaciją.

Pasiruošę suteikti paslaugas po IKEA įrenginio pirkimo

Nedvejodami kreipkitės į IKEA dėl paslaugų po įrenginio įsigijimo:

1. pateikite prašymą dėl priežiūros pagal šią garantiją;
2. klauskite paaiškinimo dėl IKEA įrenginio montavimo naudojant specialius IKEA virtuvės baldus. Paslaugų centras nesuteiks paaiškinimų dėl:
 - bendrų IKEA virtuvės montavimo darbų;
 - jungimo į elektros tinklą (jei įrenginys yra be kištuko arba kabelio), jungimo prie vandens ir dujų sistemų, nes juos turi atlikti įgaliojasis paslaugų inžinierius;
3. klauskite paaiškinimo apie vartotojo vadovo turinį ir IKEA įrenginio technines sąlygas.

Kad mūsų suteikiama pagalba būtų efektyvesnė, prieš kreipdamiesi į mus, atidžiai perskaitykite surinkimo nurodymus ir/ arba šios brošiūros vartotojo vadovo skyrių.

Kaip mus pasiekti, jei jums reikia mūsų paslaugų



Norėdami surasti visą IKEA paskirtų priežiūros centrų sąrašą ir atitinkamą šalies telefono numerį, žiūrėkite paskutinį šio vadovo puslapį.

Svarbu! Norėdami suteikti greitesnę paslaugą, patariame naudoti telefono numerius, kurie yra nurodyti šio vadovo pabaigoje.

Visada ieškokite numerių, kurie pateikti atitinkamo įrenginio, dėl kurio jums reikia pagalbos, brošiūroje. Prieš mums skambindami, atsiminkite, kad turite nurodyti IKEA gaminio, dėl kurio jūs kreipėtės pagalbos, numerį (8 skaičių kodas).

Svarbu! IŠSAUGOKITE PARDAVIMO KVITĄ! Tai yra jūsų pirkimo įrodymas, reikalingas garantijai taikyti. Atkreipkite dėmesį, kad kvite taip pat nurodyti IKEA gaminio pavadinimas ir kiekvieno įrenginio, kurį nusipirkote, numeris (8 skaičių kodas).

Jums reikia papildomos pagalbos?

Dėl kitų klausimų, nesusijusių su jūsų įrenginiu po jo pardavimo. Kreipkitės į artimiausią IKEA prekybos skambučių centrą. Prieš kreipdamiesi į mus, atidžiai perskaitykite įrenginio dokumentaciją.

Інформація про безпеку

i Уважно прочитайте це керівництво перед встановленням й експлуатацією приладу задля забезпечення власної безпеки та правильної роботи обладнання. Тримайте ці інструкції разом із приладом, навіть у випадку його продажу або передачі стороннім особам. Важливо, щоб користувачі ознайомились із порядком експлуатації приладу та технікою безпеки під час користування ним.

Варильні поверхні цього типу мають індукційні системи, які відповідають вимогам стандартів EMC та директиви ЕМП, і вони не повинні перешкоджати роботі інших електронних пристроїв. Особам із кардіостимуляторами та іншими електронними імплантами необхідно проконсультуватися зі своїм лікарем або виробником імплантованого пристрою для оцінки його достатньої витривалості проти перешкод.

! Електричні підключення має виконувати досвідчений спеціаліст. Перед встановленням електричних підключень ознайомтеся із розділом «ЕЛЕКТРИЧНІ ПІДКЛЮЧЕННЯ».

Для приладів зі шнурами живлення розташування клемників або довжина провідників між кріпленням шнура і клемниками повинні бути такими, щоб струмопровідні провідники стали напруженими перед заземлювальним провідником, якщо шнур вислизнув з кріплення шнура.

- Виробник не нестиме відповідальності за жодні пошкодження, що виникли в результаті неправильного або неналежного встановлення.
- Переконайтеся, що напруга в мережі відповідає напрузі, зазначеній на паспортній табличці, яка розташована з внутрішньої сторони приладу.

- Вимикач має бути встановлено у фіксованій системі згідно з правилами монтажу електричної проводки.
- У разі використання пристроїв класу I переконайтеся у тому, що внутрішнє джерело живлення має відповідне заземлення.
- Підключіть прилад до мережі живлення за допомогою пакетного вимикача.
- У разі пошкодження кабелю живлення, щоб уникнути небезпеки, його заміну повинен здійснити представник виробника, авторизований сервісний центр або кваліфікований спеціаліст відділу технічного обслуговування.

! **ПОПЕРЕДЖЕННЯ:** Перед встановленням приладу зніміть захисні плівки.

- Використовуйте лише ті гвинти та інші компоненти кріплення, які постачаються разом із приладом.

! **ПОПЕРЕДЖЕННЯ:** Встановлення гвинтів або кріпильних пристроїв із порушенням наведених інструкцій може призвести до ураження електричним струмом.

- Очищення й обслуговування можуть виконуватися дітьми тільки за умови, що за ними наглядають.
- Необхідно слідкувати, щоб діти не грались із приладом.
- Цей прилад не призначений для використання особами (зокрема й дітьми) з обмеженими фізичними, сенсорними або розумовими здібностями, а також особами з відсутністю досвіду чи знань, крім ситуацій, коли особи, відповідальні за їхню безпеку, наглядають за ними або попередньо проінструктували їх щодо використання приладу.
- Цей прилад можуть використовувати діти віком від 8 років, особи з

обмеженими фізичними, сенсорними або розумовими здібностями, а також особи, які не мають досвіду чи знань, якщо за такими особами наглядатимуть та якщо вони отримують указівки щодо безпечного користування приладом і розумітимуть можливі небезпеки. Не дозволяйте дітям гратися з приладом.

⚠ ПОПЕРЕДЖЕННЯ: Під час використання прилад і його експлуатаційні елементи нагріваються.

Слід бути обережними, щоб не торкнутися нагрівальних елементів.

Дітей до 8 років забороняється залишати поруч із приладом без постійного нагляду.

ПОПЕРЕДЖЕННЯ: Якщо поверхня приладу має тріщини, вимкніть його, аби уникнути ураження електричним струмом.

- Не вмикайте пристрій, якщо поверхня тріснула або помітні будь-які пошкодження в глибині матеріалу.
- Не торкайтеся приладу мокрими частинами тіла.
- Для очищення пристрою не використовуйте пароочишувач.
- Не кладіть металеві предмети, зокрема ножі, виделки, ложки або кришки на варильну поверхню, оскільки вони можуть нагріватися.
- Після використання вимикайте варильну поверхню за допомогою відповідного елемента керування, не покладаючись на датчики посуду.

ПОПЕРЕДЖЕННЯ: Приготування на варильній поверхні страв із жиром або олією без нагляду є вкрай небезпечним і може призвести до пожежі. **НІКОЛИ** не намагайтеся загасити вогонь водою. Вимкніть прилад і накрийте чимось вогонь, наприклад кришкою сковорідки або протипожежною ковдрою.

ОБЕРЕЖНО: За процесом готування слід наглядати. Якщо приготування страви

не займає багато часу, безперервно слідкуйте за процесом готування.

- Цей прилад не призначений для роботи з зовнішнім таймером або окремою системою дистанційного керування.

ПОПЕРЕДЖЕННЯ: Щоб уникнути пожежі, не кладіть жодних предметів на поверхні для приготування.

- Переконайтеся, що прилад встановлений таким чином, що його можна від'єднувати від мережі електроживлення з відстанню розмикання контактів (3 мм), яка гарантує повне відключення за умов перенапруги категорії III.
- Переконайтеся, що пристрій не піддається атмосферному впливу (дощ, сонце).
- Тримайте матеріали упаковки в місцях, недоступних для дітей та тварин.
- Переконайтеся, що прилад підключений безпосередньо до розетки.
- Не використовуйте перехідники, трійники або подовжувачі для підключення приладу.
- Ніколи не використовуйте прилад для цілей, відмінних від тих, для яких він був розроблений.
- Під час користування фритюрницями слід постійно стежити за ними, щоб не допустити виникнення пожежі, спричиненої перегрітою олією.
- Не використовуйте прилад з зовнішнім таймером або окремою системою дистанційного керування.
- Не слід встановлювати прилад за декоративними дверцятами, щоб уникнути перегрівання.
- Щоб уникнути пошкодження приладу, не становіться на нього.
- Не ставте гарячий посуд на край, тому що це може пошкодити силіконові ущільнювачі.

Встановлення

Процес встановлення має відповідати вимогам законодавства, постанов, директив та стандартів (правилам та положенням з техніки безпеки під час роботи з електричними системами, належної утилізації відповідно до положень тощо), які діють в країні використання!

- Додаткову інформацію щодо встановлення див. в Інструкції зі збирання.
- Не застосовуйте силіконовий герметик між приладом та стільницею.
- Переконайтеся, що під варильною поверхнею є достатньо місця для циркуляції повітря. Див. Інструкції зі збирання.
- Нижня частина приладу може становитися гарячою. Якщо прилад установлений над шухлядами, обов'язково встановіть роздільну панель з негорючого матеріалу під пристроєм, щоб виключити доступ до його нижньої частини. Див. Інструкції зі збирання.
- Переконайтеся, що вентиляція приладу відповідає інструкціям виробника.
- Для забезпечення вентиляції приладу зробіть отвір спереду розміром не менше за 28 см² в елементі кухонних меблів, в якому буде встановлено варильну поверхню.

Вимоги до кухонних меблів

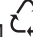
- Якщо прилад розміщується на легкозаймистих матеріалах, слід суворо дотримуватися вказівок і стандартів щодо встановлення низьковольтного обладнання та протипожежного захисту.
- Для збирання компонентів меблів, що містять пластик і фанерну деревину, слід застосовувати термостійкі клеючі матеріали (мін. 85° C): використання невідповідних матеріалів може призвести до деформації та відлущування.
- Дозволено використовувати декоративні бордюри з твердої деревини, що розташовуються навколо стільниці позаду приладу. При цьому слід дотримуватися вимог щодо мінімальної відстані, показаних на зображеннях варіантів установлення.
- Якщо під варильною поверхнею духовка не встановлюється, встановіть роздільну панель під приладом, як вказано в Інструкції зі збирання.

Екологічні аспекти

Утилізація побутових приладів

- Символ  на виробі або його упаковці вказує, що цей виріб не можна викидати разом із побутовими відходами. Виріб необхідно здавати в спеціалізований центр переробки електричних й електронних компонентів. Доклавши зусиль до правильної утилізації цього виробу, ви допоможете запобігти можливим негативним наслідкам для довкілля та здоров'я людей, які можуть виникнути через неналежну утилізацію. Для отримання докладнішої інформації щодо утилізації цього виробу звертайтеся до місцевих органів влади, у службу утилізації побутових відходів або в магазин, де було придбано виріб.

Утилізація матеріалів упаковки

Матеріали з символом  можуть перероблятися. Викидайте матеріали упаковки в спеціальні контейнери для переробки.

Заощадження електроенергії

За допомогою наступних порад ви зможете заощаджувати електроенергію під час щоденного готування їжі.

- Під час нагрівання води використовуйте лише потрібну кількість води.
- Завжди закривайте посуд кришкою, якщо це можливо.
- Перед вмиканням зони приготування встановіть на неї посуд.
- Встановлюйте посуд меншого розміру на зони приготування меншого розміру.
- Встановлюйте посуд точно по центру зони приготування.
- Використовуйте залишкове тепло для підтримання їжі теплою або розтоплення.

Догляд і чищення

- У жодному разі не користуйтеся абразивними губками, сталевими мочалками, соляною кислотою та іншими засобами, що можуть дряпати поверхню чи лишати на ній сліди.
- Заборонено вживати їжу, яка випадково впала чи потрапила на поверхню, функціональні або естетичні компоненти варильної поверхні.
- Вимикайте пристрій або від'єднуйте його від електромережі, перш ніж виконувати будь-які роботи з обслуговування.
- Аби попередити припікання залишків їжі, чистіть варильну поверхню після кожного використання. Для видалення сухих забруднень, що пригоріли до поверхні,

потрібні більші зусилля.

- Для очищення приладу від щоденного бруду використовуйте м'яку тканину чи губку, змочену водою з додаванням придатного мийного засобу. При користуванні мийними засобами дотримуйтесь інструкцій від їхніх виробників. Рекомендується користуватися мийними засобами із захисними властивостями
- Видаліть в'дливий забруднення, наприклад залишки молока, що витекло з посудини, за допомогою спеціального засобу для зняття бруду зі склокерамічної варильної поверхні (поки варильна поверхня ще тепла). При користуванні засобами для зняття бруду обов'язково дотримуйтесь інструкцій від їхніх виробників.

- Видаліть залишки солодких страв, наприклад варення, що витекло з посудини, за допомогою спеціального засобу для зняття бруду зі склокерамічної варильної поверхні (поки варильна поверхня ще тепла). В іншому разі можна пошкодити склокерамічну поверхню.
- Видаліть розплавлений пластик за допомогою спеціального засобу для зняття бруду зі склокерамічної варильної поверхні (поки варильна поверхня ще тепла). В іншому разі можна пошкодити склокерамічну

поверхню.

- Видаліть плями накипу за допомогою невеликої кількості розчину для розчинення накипу, наприклад оцту чи лимонного соку, коли варильна поверхня охолоне. Потім знову протріть прилад вологою тканиною.
- Не ріжте і не готуйте їжу на поверхні і не кидайте на неї тверді предмети. Не перетягуйте посуд по поверхні.
- Для очищення приладу не використовуйте пароочисувачі.

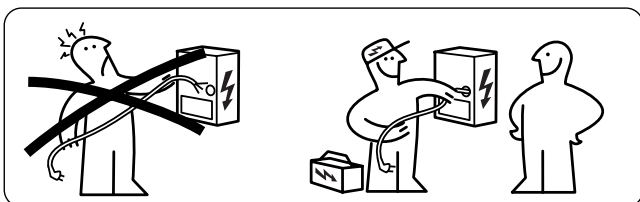
Виробник

Ikea of Sweden AB - SE - 343 81 Ельмхульт, Швеція

Електричні підключення

- ⚠ ЗАСТЕРЕЖЕННЯ:** Усі електричні з'єднання повинні виконуватися уповноваженим фахівцем.
- Перед підключенням переконайтеся, що номінальна напруга приладу, зазначена на відповідній табличці, відповідає напрузі мережі. Табличка з даними прикріплена на нижній стороні варильної поверхні.
 - Використовуйте тільки оригінальні комплектуючі, надані сервісною службою запчастин.
 - Пристрій не оснащений кабелем мережі. Придбайте потрібний кабель у спеціалізованого дилера.
 - Якщо шнури живлення пошкоджені, замініть їх оригінальними. Зверніться до кол-центру вашого магазину ІКЕА.

⚠ Увага! Не зварюйте кабелі!



Електричне підключення

- Дотримуйтесь схеми підключення (розташована на нижній стороні виробу).
- Цей пристрій має з'єднання типу «У» і потребує силовий кабель Н05V2V2-F. На кабелі обов'язково повинні бути кінцеві муфти. Відповідно до стандарту ІЕС, використовуйте для однофазного підключення: силовий кабель 3 x 4 мм², для двофазного підключення: силовий кабель 4 x 2,5 мм² і для підключення в Нідерландах: силовий кабель 5 x 2,5 мм². Зовнішній діаметр силового кабелю: не менше 8 мм - не більше 12 мм. Будь ласка, дотримуйтесь певних національних норм.
- З'єднувальні клемники знаходяться під кришкою клемової коробки.
- Переконайтеся, що характеристики побутової електросистеми (напруга, максимальна потужність та струм) сумісні з характеристиками приладу.
- Приєднайте прилад, як показано на схемі (відповідно до стандартів в країні встановлення щодо напруги в мережі).

Схема підключення з боку будинку

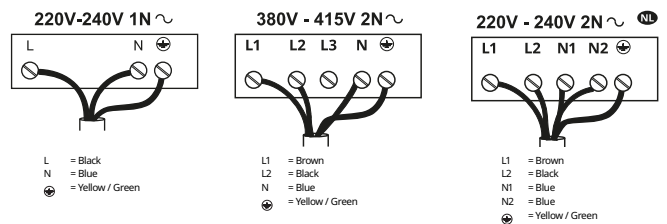
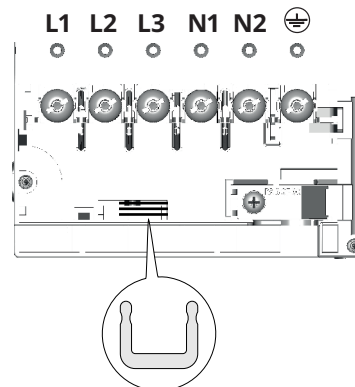
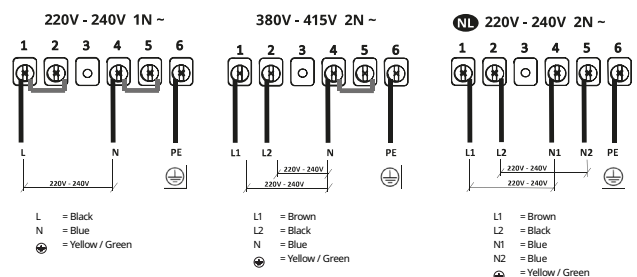


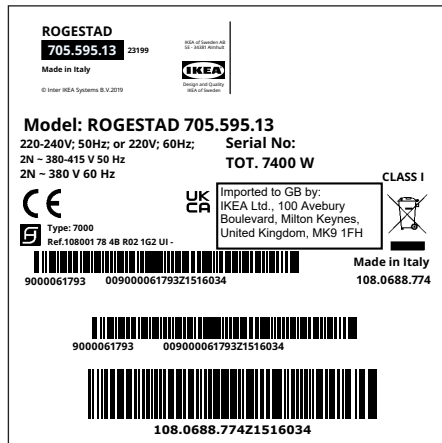
Схема підключення з боку будинку



Вставте перемички між гвинтами, як показано на малюнку



Паспортна табличка



На малюнку вище показана паспортна табличка приладу. Серійний номер є унікальним для кожного виробу. Шановний клієнте, зберігайте додаткову паспортну табличку закріплену до обкладинки буклета з техніки безпеки всередині приладу.

Це дозволить нам краще ідентифікувати вашу варильну поверхню, якщо в майбутньому вам знадобиться наша підтримка. Дякуємо за допомогу!

ГАРАНТІЯ ІКЕА

Як довго діє гарантія ІКЕА?

Ця гарантія діє п'ять (5) років з оригінальної дати придбання приладу в ІКЕА. Оригінал касового чека необхідно зберігати в якості важливого підтвердження покупки. Будь-які види ремонту, які виконуються протягом гарантійного періоду, не подовжують строк дії гарантії на прилад.

Хто виконує обслуговування приладу?

Обслуговування споживачів виконується постачальником послуг, призначеним компанією ІКЕА, за допомогою власної організації або мережі уповноважених партнерів з обслуговування.

На які випадки розповсюджується гарантія?

Гарантія розповсюджується на всі несправності, пов'язані із матеріалами або конструкцією приладу, і діє з дати придбання приладу в магазині ІКЕА. Гарантія є дійсною лише для приладів, призначених для побутового використання. Виключення описані у розділі «Що гарантія не покриває». Протягом гарантійного періоду вартість ремонту (запасні частини, робота та переміщення технічного персоналу) оплачується сервісним центром, за умови, що для доступу до приладу, який потребує ремонту, не потрібні додаткові витрати. Ці умови відповідають директиві ЄС (№99/44/ЄС), а також застосовним правилам та стандартам. Замінювані частини стають власністю компанії ІКЕА.

Які дії здійснюватиме компанія ІКЕА для вирішення проблеми?

Постачальник послуг, призначений компанією ІКЕА, перевірить виріб і на власний розсуд визначить, чи відповідає цей випадок умовам гарантії. Якщо випадок відповідає умовам гарантії, постачальник послуг ІКЕА або уповноважений партнер з обслуговування через свої сервісні центри на власний розсуд приймає рішення про проведення ремонту несправного виробу, або про його заміну виробом такого самого типу чи рівноцінним виробом.

Що гарантія не покриває?

- Звичайне зношення.
- Пошкодження, отримані внаслідок навмисних дій або в результаті недбалості, пошкодження викликані невиконанням інструкцій з експлуатації, неправильним встановленням або підключенням до мережі з невідповідною напругою, пошкодження внаслідок хімічних або електрохімічних реакцій, іржі, корозії або

пошкодження від води, включаючи, без обмежень, пошкодження внаслідок високого рівня вапна у трубах води, а також пошкодження в результаті атмосферних та природних явищ.

- Компоненти, які зношуються, наприклад, акумулятори та лампочки.
- Декоративні компоненти та деталі, що не мають функціонального призначення, які не впливають на нормальне використання приладу, включаючи подряпини та зміни кольору.
- Випадкове пошкодження субстанціями або сторонніми предметами, а також чищення чи видалення фільтрів, систем зливання або лотків із порошком.
- Пошкодження таких компонентів, як склокераміка, аксесуари, корзини для тарілок та столового приладдя, подавальні та зливні трубки, ущільнення, лампи та відповідні кришки, екрани, ручки, покриття та частини покриття, крім тих випадків, коли буде доведено, що пошкодження виникло внаслідок дефектів виробництва.
- Випадки, коли під час візиту до спеціаліста не знайдено жодних несправностей.
- Ремонт, виконаний не постачальником послуг, призначеним компанією ІКЕА або уповноваженим партнером з обслуговування, або ремонт із використанням неоригінальних запасних частин.
- Ремонт, необхідність якого виникла внаслідок неправильного встановлення або встановлення із порушенням специфікацій.
- Використання приладу не в побутових цілях, наприклад, професійне використання.
- Пошкодження внаслідок транспортування. Якщо транспортування виконувалося споживачем додому або на іншу адресу, компанія ІКЕА не несе відповідальності за будь-які пошкодження, які можуть виникати під час транспортування. Однак якщо транспортування на адресу споживача виконується компанією ІКЕА, на будь-які пошкодження внаслідок транспортування розповсюджується дія цієї гарантії.
- Початкові витрати на встановлення приладу ІКЕА. Однак якщо постачальник послуг, призначений компанією ІКЕА або уповноважений партнер з обслуговування виконує ремонт або заміну приладу відповідно до умов гарантії, постачальник або уповноважений партнер з обслуговування також має повторно встановити відремонтований прилад або встановити замінний прилад, якщо це необхідно.

Ці обмеження не застосовуються до робіт, виконаних професійним

чином досвідченими спеціалістами із використанням оригінальних запасних частин в цілях адаптації приладу до стандартів техніки безпеки, які діють в іншій країні ЄС.

Застосовність національного законодавства

Гарантія ІКЕА надає споживачеві особливі законні права на додаток до прав, передбачених законом, які можуть відрізнятися в залежності від країни. Однак ці умови жодним способом не обмежують права споживачів, встановлені місцевим законодавством.

Територія або дієвість

Для приладів, придбаних в країні ЄС, які переміщуються в іншу країну ЄС, послуги будуть надаватися на підставі умов гарантії, які діють у новій країні. Зобов'язання щодо надання послуг на підставі умов гарантії існують лише у випадку дотримання наступних умов та встановлення приладу у відповідності до наступного:

- технічні специфікації в тій країні, де запитується застосування умов гарантії;
- інформація з техніки безпеки, наведена в інструкції з експлуатації.

Післяпродажне обслуговування побутових приладів ІКЕА:

Звертайтеся до відділу післяпродажного обслуговування ІКЕА з наступних питань:

1. для запиту підтримки в межах дії гарантії;
2. для запиту пояснень щодо встановлення приладів ІКЕА у відповідні кухонні меблі ІКЕА. Відділ післяпродажного обслуговування не надає підтримки або пояснень стосовно наступних питань:
 - встановлення комплектів кухонь ІКЕА;
 - електричні підключення (якщо прилад постачається без кабелів та штекерів), сантехнічні та газові підключення, які мають виконуватися уповноваженим спеціалістом з обслуговування.
3. запит пояснень щодо вмісту інструкції з експлуатації та специфікацій приладу ІКЕА.

Для забезпечення найкращого обслуговування будь ласка перед зверненням до нас уважно прочитайте інструкції зі збирання та/або інструкцію з експлуатації.

Як звернутися до нас по допомогу



Повний перелік постачальників послуг обслуговування ІКЕА та відповідні номери телефонів у різних країнах наведені на останній сторінці цього посібника.

Важливо! Для прискорення обслуговування рекомендуємо використовувати номери телефонів, указані в кінці цього посібника. Під час запиту підтримки завжди вказуйте коди конкретного приладу, наведені в цьому посібнику. Перед тим, як звернутися до нас, переконайтеся в наявності коду виробу (8 символів) для приладу, для якого потрібна наша підтримка.

Важливо! ЗБЕРІГАЙТЕ КАСОВИЙ ЧЕК! Він підтверджує факт покупки і його необхідно пред'явити для застосування гарантії. В чеку також вказані назва та код (8 символів) кожного з придбаних вами приладів ІКЕА.

Потрібна додаткова допомога?

З будь-яких інших питань, які не стосуються обслуговування приладу, звертайтеся до найближчого магазину ІКЕА. Перед зверненням до нас будь ласка уважно прочитайте документацію приладу.

Informace o bezpečnosti

i Pro vlastní bezpečnost a za účelem řádného fungování přístroje prosíme, abyste si před jeho instalací a zprovozněním pozorně přečetli tuto příručku. Tuto příručku je třeba uchovávat spolu s přístrojem, a to i v případě, že přístroj bude poskytnut nebo prodán třetím osobám. Je důležité, aby se uživatelé seznámili s veškerými funkčními a bezpečnostními charakteristikami přístroje.

Tyto varné plochy jsou vybaveny indukčními systémy, které splňují požadavky směrnice EMC a EMF a neměly by interferovat s jinými elektronickými zařízeními. Pokud máte kardiostimulátor nebo jiná implantovaná elektronická zařízení, poraďte se se svým lékařem nebo výrobcem implantovaného zařízení, abyste zjistili, zda je toto zařízení dostatečně odolné proti interferencím.

! Elektrická připojení musí provést kompetentní technik. Před provedením elektrického připojení si přečtěte část ELEKTRICKÉ PŘIPOJENÍ.

U přístrojů s napájecím kabelem musí být svorky nebo průřez vodičů mezi kotvicím bodem kabelu a svorkami uspořádány tak, aby umožnily vytáhnout živý vodič pod napětím před zemnicím kabelem, v případě, že vyklouzne ze svého ukotvení.

- Výrobce nemůže být považován za odpovědného za případné škody způsobené nesprávně provedenou instalací či nesprávným používáním přístroje.
- Zkontrolujte, zda síťové napájení odpovídá hodnotám uvedeným na datovém štítku upevněném uvnitř výrobku.
- Vypínací zařízení musí být nainstalována do pevného systému v souladu s předpisy o elektroinstalaci.
- U přístrojů třídy I zkontrolujte, zda je síť

domácího napájení vybavena vhodným uzemněním.

- Připojte výrobek k elektrické síti pomocí vícepólového vypínače.
- Jestliže je napájecí kabel poškozen, je třeba jej nechat vyměnit výrobcem, autorizovaným servisním střediskem nebo kompetentním technikem, aby se zabránilo jakémukoli riziku nebo nebezpečné situaci.

! **UPOZORNĚNÍ:** Před instalací přístroje odstraňte ochranné fólie.

- Používejte pouze šrouby a další železářský materiál dodané s přístrojem.

! **UPOZORNĚNÍ:** Nebudou-li šrouby či upevňovací zařízení namontovány podle pokynů v tomto návodu, mohlo by vzniknout nebezpečí zasažení elektrickým proudem.

- Čištění a údržba nesmí být prováděny dětmi, pokud nejsou pod dozorem dospělého.
- Děti musí být pod dozorem, aby bylo zaručeno, že si nebudou hrát s přístrojem.
- Tento přístroj nesmí být používán osobami (včetně dětí) se sníženými psycho-fyzicko-smyslovými schopnostmi nebo osobami bez zkušeností a znalostí, pokud nejsou pod pečlivým dozorem osoby odpovědné za jejich bezpečnost nebo pokud nebyly touto osobou zaškoleny o bezpečném použití tohoto přístroje.
- Tento přístroj může být používán dětmi ve věku nad 8 let a osobami se sníženými psycho-fyzicko-smyslovými schopnostmi nebo osobami s nedostatečnými zkušenostmi a znalostmi, pokud jsou pod pečlivým dozorem nebo byly seznámeny s použitím přístroje bezpečným způsobem a rozumí jeho rizikům. Nedovolte, aby si s přístrojem hrály děti.

! **UPOZORNĚNÍ:** Přístroj a jeho přístupné

části se při používání velmi zahřívají.

Dávejte velký pozor, abyste se nedotkli odporů.

Děti mladší 8-i let udržujte mimo dosah přístroje, pokud nejsou neustále pod dozorem.

UPOZORNĚNÍ: Pokud povrch vykazuje praskliny, přístroj vypněte, aby nemohlo dojít k zasažení elektrickým proudem.

- Nezapínejte přístroj, pokud je povrch popraskaný nebo pokud jsou na něm viditelná poškození tloušťky materiálu.
- Nedotýkejte se přístroje mokřýma rukama nebo jinými částmi těla.
- K čištění výrobku nepoužívejte parní zařízení.
- Neodkládejte kovové předměty jako nože, vidličky, lžice a pokličky na povrch varné plochy, protože by se mohly přehřát.
- Po použití varné plochy ji vypněte příslušným ovladačem; nespolehejte se na senzory hrnců.

UPOZORNĚNÍ: Při používání oleje nebo tuků je nebezpečné nechat varnou plochu bez dozoru, neboť by se mohla vytvořit nebezpečná situace a vzniknout požár. NIKDY se nepokoušejte hasit případné plameny vodou, ale přístroj vypněte a uduste plameny, například pokličkou nebo hasicí dekou.

POZOR: Proces vaření musí probíhat pod dohledem. Krátký proces vaření musí probíhat pod neustálým dohledem.

- Přístroj není navržen ke spouštění externím časovačem nebo samostatným systémem dálkového ovládání.

UPOZORNĚNÍ: Nebezpečí požáru: neodkládejte předměty na varné povrchy.

- Přístroj musí být nainstalován tak, aby umožnil odpojení od elektrického napájení se vzdáleností rozepnutí kontaktů (3 mm), které zaručí úplné odpojení při stavu přepětí kategorie III.

- Přístroj nesmí být nikdy vystaven atmosférickým vlivům (děšť, slunce).
- Obaly uchovávejte mimo dosah dětí a domácích zvířat.
- Ujistěte se, zda je zařízení připojeno přímo k elektrické zásuvce.
- K připojení zařízení nepoužívejte adaptéry, vícenásobné zásuvky ani prodlužovací kabely.
- Přístroj nikdy nepoužívejte k jiným účelům, než ke kterým je určen.
- Fritovací hrnce během používání neustále hlídejte: příliš zahřátý olej by se mohl vznítit.
- Nespouštějte přístroj externím časovačem nebo systémem samostatného dálkového ovládání.
- Přístroj nesmí být nikdy nainstalován za dekorativními dvířky, aby se zabránilo přehřátí.
- Nestoupejte na přístroj, mohl by se poškodit.
- Neopírejte hrnce a pánve o okraj, mohlo by dojít k poškození silikonových spojů.

Instalace

Při instalaci je povinné dodržovat zákony, vyhlášky, směrnice a normy (předpisy pro bezpečnost elektrických systémů, správnou recyklaci součástí atd.) platné v zemi použití!


- Další informace o instalaci naleznete v návodu k montáži.
- Mezi přístrojem a pracovní deskou nepoužívejte silikonový tmel.
- Zkontrolujte, zda je prostor pod varnou plochou dostatečný pro cirkulaci vzduchu. Řiďte se návodem k montáži.
- Spodní část přístroje může být velmi horká. Pokud je přístroj nainstalován nad zásuvkami, nezapomeňte pod něj nainstalovat ohnivzdorný oddělovací panel, abyste zabránili přístupu ke spodní části. Řiďte se návodem k montáži.
- Větrání přístroje musí být v souladu s pokyny výrobce.
- V kuchyňském bloku vytvořte přední otvor nejméně 28 cm², do něhož bude umístěna varná plocha, aby bylo umožněno správné větrání přístroje.

Požadavky na kuchyňský blok

- Pokud je přístroj namontován na hořlavých materiálech, je třeba pečlivě dodržovat pokyny a předpisy týkající se nízkonapěťových instalací a předpisy požární ochrany.
- U vestavných jednotek musí být komponenty (plastové materiály a dýhy) přilepeny pomocí tepelně odolných lepidel (min. 85°C): použití nevhodných materiálů a lepidel může způsobit deformace nebo odlepení komponentů.
- Používání profilů z masivního dřeva kolem pracovní desky za přístrojem je povoleno za předpokladu, že minimální vzdálenosti vždy odpovídají pokynům uvedeným na instalačních výkresech.
- Pokud pod varnou plochou není trouba, nainstalujte pod přístroj oddělovací panel, podle návodu k montáži.

Aspekty životního prostředí

Likvidace elektrospotřebičů

- Symbol  na výrobku nebo na jeho obalu označuje, že výrobek nesmí být likvidován spolu s běžným domácím odpadem. Výrobek musí být zlikvidován ve sběrném středisku specializovaném na recyklaci elektrických a elektronických komponentů. Tím, že se ujistíte o řádném provedení likvidace tohoto výrobku, přispějete k zabránění případného negativního dopadu na životní prostředí a na zdraví osob, který by mohla mít nesprávně provedená likvidace. Podrobnější informace o recyklaci tohoto výrobku získáte na obecním úřadě, v místní službě v odpadovém hospodářství nebo v obchodě, kde jste výrobek zakoupili.

Likvidace obalových materiálů

Materiály se symbolem  jsou recyklovatelné. Likvidaci obalových materiálů provádějte ve vhodných sběrných nádobách pro recyklaci.

Energetická úspora

Každý den je možné při vaření uspořit energii podle níže uvedených rad.

- Při ohřívání vody používejte pouze nezbytné množství.
- Pokud je to možné, vždy přikryjte hrnce pokličkou.
- Před aktivací varné zóny umístěte hrnec.
- Menší hrnce umístěte na menší varné zóny.
- Umístěte hrnce přímo do středu varné zóny.
- Na udržování jídla teplého nebo na jeho rozmrazení/rozpuštění použijte zbytkové teplo.

Čištění a údržba

- Nikdy nepoužívejte abrazivní hubky, ocelovou vlnu, kyselinu chlorovodíkovou nebo jiné výrobky, které by mohly poškrábat povrch nebo na něm zanechat stopy.
- Nejezte případné zbytky jídla, které spadly nebo se nahromadily na povrchu a na funkčních nebo estetických prvcích varné plochy.
- Před čištěním či jakoukoliv operací údržby přístroj vypněte nebo ho odpojte od napájecí sítě.
- Po každém použití přístroj vyčistěte, aby nemohlo docházet ke karbonizaci zbytků pokrmů. Je mnohem těžší odstranit zatvrdlé nebo připálené nečistoty.
- K odstraňování každodenních nečistot použijte měkký hadřík nebo hubku s vhodným čisticím prostředkem. Dodržujte

- doporučení výrobce týkající se čisticích prostředků, které mají být použity. Doporučujeme používat neutrální čisticí prostředky.
- Zatvrdlé nečistoty, například mléko, které přeteklo při vaření, odstraňte pomocí škrabky na sklokeramické povrchy, když je varná plocha ještě teplá. Dodržujte doporučení výrobce týkající se škrabek, které mají být použity.
- Zbytky jídla bohatého na cukry, například postříkání marmeládou při vaření, odstraňte pomocí škrabky na sklokeramické povrchy, když je varná plocha ještě teplá. Pokud tyto zbytky nebudou odstraněny, mohly by poškodit sklokeramický povrch.
- Případné zbytky roztaveného plastu odstraňte vhodnou

škrobkou na sklokeramiku, když je varná plocha ještě teplá. Pokud tyto zbytky nebudou odstraněny, mohly by poškodit sklokeramický povrch.

- Skvrny od vodního kamene odstraňte malým množstvím roztoku na odstranění vodního kamene, například octem nebo citronovou šťávou, po vychladnutí varné plochy. Poté znovu vyčistěte navlhčeným hadříkem.

- Na povrchu se nesmí krájet ani připravovat potraviny a je třeba zabránit tomu, aby na něj padaly tvrdé předměty. Po povrchu nepřetahujte hrnce nebo jiné kuchyňské nádobí.
- Nepoužívejte parní čističe.

Výrobce

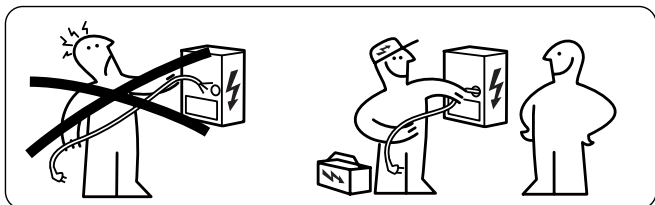
Ikea of Sweden AB - SE - 343 81 Älmhult, Švédsko

Elektrické připojení

UPOZORNĚNÍ: Všechna elektrická připojení musí provést specializovaný instalační technik.

- Před připojením zkontrolujte, zda jmenovité napětí přístroje uvedené na typovém štítku odpovídá napětí v síti. Typový štítek je připevněn ke spodní straně varné desky.
- Používejte pouze originální díly dodané servisem náhradních dílů.
- Přístroj není vybaven síťovým kabelem. Správný kabel kupte u specializovaného prodejce.
- V případě poškození vyměňte napájecí kabely za originální náhradní kabely. Obratě se na call centrum svého obchodního domu IKEA.

Pozor! Kabely nesvařujte!



Elektrické připojení

- Řiďte se schématem zapojení (umístěným na spodní straně výrobku).
- Tento přístroj má připojení typu „Y“ a vyžaduje napájecí kabel H05VV-F. Kabel vyžaduje povinné koncové objímky. Podle normy IEC použijte pro jednofázové připojení: 3 x 4 mm² napájecí kabel, pro dvoufázové připojení: 4 x 2,5 mm² napájecí kabel a pro připojení v Holandsku: 5 x 2,5 mm² napájecí kabel. Vnější průměr napájecího kabelu: min. 8 mm - max. 12 mm. Dodržujte prosím příslušné národní technické normy.
- Připojovací svorky jsou přístupné po odstranění krytu propojovací krabice.
- Zkontrolujte, zda jsou charakteristiky domácí elektroinstalace (napětí, maximální výkon a proud) kompatibilní s charakteristikami přístroje.
- Připojte přístroj podle schématu (v souladu s referenčními normami pro síťové napětí platnými na národní úrovni).

Schéma připojení na straně domu

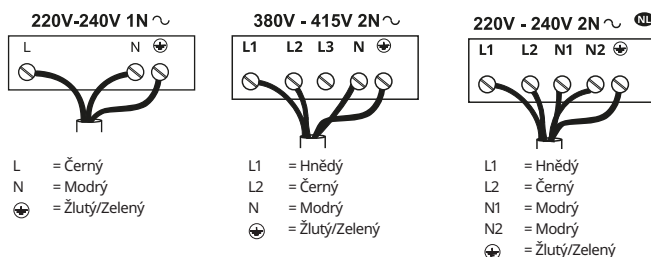
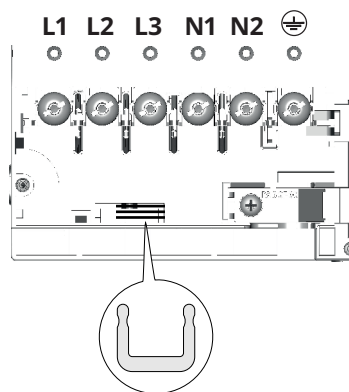
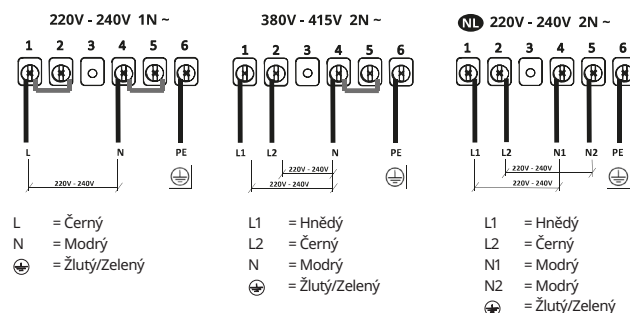


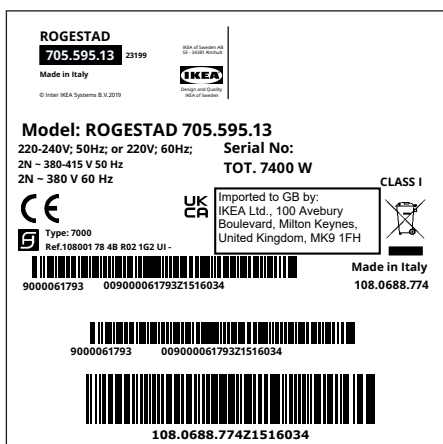
Schéma připojení na straně výrobku



Zapojte bočnický mezi svorky podle obrázku



Datový štítek



Výše uvedený obrázek znázorňuje datový štítek přístroje. Sériové číslo je specifické pro každý výrobek. Vážený zákazníku, uschovejte si, prosím, přídatný datový štítek umístěný na obálce bezpečnostních informací dodaných uvnitř výrobku.

Takto vám budeme moci lépe pomoci a přesně identifikovat vámi zakoupenou varnou plochu v případě, že byste v budoucnu potřebovali naši servisní službu. Děkujeme vám za spolupráci.

ZÁRUKA IKEA

Jak dlouho je platná záruka IKEA?

Tato záruka platí pět (5) let od původního data nákupu přístroje v obchodě IKEA. Původní účtenka je nezbytná jako doklad o nákupu. Oprava provedená v rámci záruky neprodlužuje záruční dobu přístroje.

Kdo poskytuje servis?

Servis zákazníkům bude zaručen poskytovatelem služeb jmenovaným společností IKEA prostřednictvím vlastní organizace nebo vlastní sítě autorizovaných servisních partnerů.

Na co se vztahuje záruka?

Záruka se vztahuje na případné závady spojené s materiálem nebo konstrukcí elektrospotřebiče a je platná ode dne nákupu elektrospotřebiče v prodejně IKEA. Záruka je platná pouze pro elektrospotřebiče určené k použití v domácnostech. Výjimky jsou popsány v bodě „Na co se nevztahuje záruka“. Během záruční doby budou náklady na opravu (náhradní díly, práce, cestovní náklady technického personálu) hrazeny servisním střediskem, za předpokladu, že přístup k přístroji pro opravný zákrok nebude vyžadovat zvláštní výdaje. Tyto podmínky odpovídají směrnicím EU (č. 99/44/ES) a místním aplikovatelným normám a ustanovením. Vyměněné součástky se stanou vlastnictvím IKEA.

Jak IKEA zasáhne, aby vyřešila problém?

Poskytovatel servisních služeb pověřený společností IKEA prověří výrobek a na základě svého uvážení rozhodne, zda je možné na případ uplatnit záruku IKEA. Pokud ano, poskytovatel servisních služeb IKEA nebo jeho autorizovaný servisní partner prostřednictvím svých servisních středisek na základě vlastního uvážení rozhodne, zda vadný výrobek bude opraven nebo vyměněn za stejný nebo rovnocenný.

Na co se nevztahuje záruka?

- Běžné opotřebení.
- Škody způsobené úmyslně nebo z nedbalosti, škody způsobené nedodržením pokynů k obsluze, nesprávnou instalací

nebo připojením k nesprávnému napětí, škody způsobené chemickými nebo elektrochemickými reakcemi, rzi, koroze nebo škody způsobené vodou, včetně, bez omezení, škod způsobených nadměrným výskytem vápence ve vodovodních potrubích a škody způsobené atmosférickými a přírodními událostmi.

- Součástky, které podléhají opotřebení, jako např. baterie a žárovky.
- Ozdobné a nefunkční části, které neovlivňují běžné používání elektrospotřebiče, včetně poškrábání a změn zbarvení.
- Náhodná poškození způsobená cizími látkami nebo předměty a čištění nebo vyprazdňováním filtrů, výfukových systémů nebo zásuvek na prací prostředky.
- Poškození částí jako sklokeramika, příslušenství, koše na nádobí a příbory, napájecí a odvodné trubice, těsnění, žárovky a jejich kryty, stínění, knoflíky, obložení a části obložení, kromě případů, kdy lze prokázat, že tyto škody byly způsobeny výrobní vadou.
- Případy, v nichž nebyly zjištěny závady během návštěvy technika.
- Opravy, které nebyly provedeny poskytovatelem služeb jmenovaným společností IKEA nebo autorizovaným servisním partnerem nebo opravy, při nichž byly použity neoriginální náhradní díly.
- Opravy zaviněné nesprávně provedenou instalací nebo instalací neodpovídající specifikacím.
- Použití elektrospotřebiče v nedomácím prostředí, například pro profesionální použití.
- Škody způsobené při přepravě. V případě přepravy, kterou provede zákazník do svého bydliště nebo na jinou adresu, IKEA nebude možné považovat za odpovědnou za případné škody, k nimž dojde během této přepravy. Jestliže přepravu na adresu zákazníka bude provádět společnost IKEA, na případné škody způsobené během přepravy se bude vztahovat tato záruka.
- Náklady na počáteční instalaci přístroje IKEA. Nicméně, jestliže poskytovatel služeb jmenovaný společností IKEA nebo její autorizovaný servisní partner provedou opravu nebo výměnu

přístroje v rámci záruky, bude-li to nutné, poskytovatel nebo autorizovaný servisní partner budou muset zajistit i opětovnou instalaci opraveného přístroje nebo instalaci náhradního přístroje.

Tato omezení se netýkají prací odborně provedených kvalifikovaným personálem s použitím originálních náhradních dílů, jejichž cílem je přizpůsobení přístroje bezpečnostním předpisům jiné země EU.

Aplikovatelnost národních zákonů

Záruka IKEA zákazníkovi poskytuje, kromě práv daných zákonem, která mohou být v různých zemích různá, specifická zákonná práva. Nicméně, tyto podmínky nijak neomezují práva spotřebitele daná místními zákony.

Oblast platnosti

Pro elektrospotřebiče zakoupené v jedné zemi EU a převezené do jiné země EU budou služby poskytovány na základě záručních podmínek aplikovatelných v nové zemi. Povinnost poskytnout službu na základě záručních podmínek existuje pouze tehdy, jestliže přístroj odpovídá a je nainstalován v souladu s:

- technickými specifikacemi země, v níž je požadována aplikace záruky;
- bezpečnostními informacemi obsaženými v této uživatelské příručce.

Poprodejní zákaznický servis pro elektrospotřebiče IKEA:

Neváhejte kontaktovat poprodejní zákaznický servis IKEA pro:

1. požádání o servisní službu v rámci záruky;
2. otázky týkající se instalace elektrospotřebičů IKEA do specifických kuchyňských linek IKEA. Servisní oddělení neposkytuje servis nebo informace k:
 - instalaci kompletních kuchyní IKEA;
 - elektrickým přípojem (jestliže je přístroj dodán bez kabelů a zástrček), hydraulickým přípojem a přípojem k plynovému systému, které budou muset být provedeny autorizovaným servisním technikem.
3. otázky týkající se obsahu uživatelské příručky a specifikací elektrospotřebiče IKEA.

Abychom Vám mohli zajistit co nejlepší servis, než nás budete kontaktovat, přečtěte si pozorně montážní návod a/nebo návod k použití.

Jak nás kontaktovat v případě, že potřebujete náš zásah



Konzultujte kompletní seznam poskytovatelů služeb IKEA a příslušná národní telefonní čísla na poslední stránce této příručky.

Důležité! Pro zaručení rychlejší služby doporučujeme použít telefonní čísla uvedená na konci této příručky. Při žádosti o zásah servisní služby vždy uvádějte specifické kódy přístroje, které jsou obsaženy v této příručce. Předtím, než nás budete kontaktovat, zkontrolujte, zda máte po ruce kód výrobku IKEA (osmimístný) týkající se elektrospotřebiče, pro který žádáte zásah servisní služby.


Důležité! USCHOVEJTE ÚČTENKU! Je to Váš doklad o nákupu a je třeba ho předložit, abyste mohli využít záručního servisu. Na účtence je uveden i název a kód (osmimístný) každého zakoupeného elektrospotřebiče IKEA.


Potřebujete pomoci?

Pro další otázky, které se netýkají servisní služby pro přístroje, zkontaktujte nejbližší prodejnu IKEA. Prosíme Vás, abyste

si předtím, než nás budete kontaktovat, pozorně přečetli dokumentaci přístroje.

Biztonsági információk

 Saját biztonsága és a készülék helyes működésének biztosítása érdekében arra kérjük, hogy a készülék üzembe helyezése és használata előtt figyelmesen olvassa el ezt az útmutatót. Tartsa ezt a készülékkel együtt, a készülék átadása vagy eladása esetén is. Fontos, hogy a felhasználók tisztában legyenek a készülék minden működési és biztonsági jellemzőjével. E főzőlapok az EMC és EMF irányelvek szerinti indukciós rendszerrel rendelkeznek és nem zavarhatják más elektronikus készülékek működését. A pacemakert vagy más elektronikus implantátumot használó személyeknek az orvosukkal vagy a beültetett implantátumok gyártójával kell egyeztetniük annak megítélésére, hogy a készülékek kellően ellenállnak-e az interferenciának.


 Az elektromos bekötéseket szakember kell, hogy végezze. Az elektromos bekötés előtt olvassa el az ELEKTROMOS BEKÖTÉS fejezetet.

A tápvezetékekkel ellátott készülékeknél a kapcsokat vagy a tápvezeték befogása és a kapcsok közötti vezető szakaszt úgy kell kialakítani, hogy biztosítható legyen a befogásból kicsúszott, feszültség alatti vezető kihúzását a földvezeték után.


- A gyártót nem terheli felelősség a nem megfelelő üzembe helyezés vagy használat miatt bekövetkező esetleges károkért.
- Ellenőrizze, hogy a hálózati tápellátás megfelel-e a termék belsejében rögzített adattáblán feltüntetett értéknek.
- A hatályos vezetékezési jogszabályoknak megfelelően a rögzített berendezéshez szakaszoló eszközöket kell beszerezni.
- Az I. kategóriájú készülékeknél ellenőrizni kell, hogy az otthoni elektromos hálózat megfelelő földelést biztosít-e.
- Egypólusú megszakítót használva

csatlakoztassa a terméket az elektromos hálózatra.

- A kockázatok vagy veszélyek elkerülése érdekében a megsérült tápvezeték cseréjét kizárólag a gyártó, a jogosult műszaki vevőszolgálat vagy egy műszaki szakember végezheti.

 **FIGYELMEZTETÉS:** A készülék üzembe helyezése előtt el kell távolítani a védőfóliákat.

- Csak a készülékkel együtt biztosított csavarokat és szerelvényeket szabad használni.

 **FIGYELMEZTETÉS:** Áramütés kockázatával járhat az, ha nem szereli fel a jelen utasításban leírtak szerint a rögzítést szolgáló csavarokat vagy eszközöket.

- A tisztítási és karbantartási műveleteket nem végezhetik gyermekek, hacsak nem felügyeli őket felnőtt.
- A gyerekeket felügyelni kell, hogy ne játszhassanak a készülékkel.
- A készüléket csökkent fizikai, érzékelő vagy szellemi képességgel rendelkező, illetve a berendezés használatában gyakorlatlan vagy tájékozatlan személyek (gyerekeket is beleértve) csak akkor használhatják, ha egy, a biztonságukért felelős személy felügyeli, és a berendezés használatára betanítja őket.
- A készüléket 8 évnél nem fiatalabb gyermekek, illetve csökkent fizikai, érzékelési vagy szellemi képességgel rendelkező, megfelelő tapasztalatok és ismeretek nélküli személyek is használhatják szigorú felügyelet mellett, illetve ha be vannak tanítva a készülék biztonságos használatára, és ismerik a kapcsolódó veszélyeket. Ne hagyja, hogy a gyermekek játsszanak a készülékkel.

 **FIGYELMEZTETÉS:** Használat közben a

készülék és elérhető részegységei rendkívül felforrósodnak.

Nagyon ügyeljen arra, hogy ne érjen az ellenállásokhoz.

Tartsa távol a 8 évnél fiatalabb gyermekeket, vagy gondoskodjon a folyamatos felügyeletükről.

FIGYELMEZTETÉS: Ha a felszínen repedések jelennek meg, kapcsolja ki a készüléket az áramütés elkerülése érdekében.

- Ne működtesse a készüléket, ha annak felülete megrepedt, vagy ha az anyagában látható károsodások jelennek meg.
- Ne érjen a készülékhez nedves kézzel vagy nedves testrészekkel.
- Ne használjon gőztisztító berendezéseket a készülékhez.
- Ne helyezzen a főzőlap felületére fémtárgyakat, például késeket, villákat, kanalakat és fedőket, mert ezek felforrósodhatnak.
- Használat után a megfelelő kezelőeszközzel kapcsolja ki a főzőlapot; ne bízsa ezt az edényérzékelőkre.

FIGYELMEZTETÉS: Veszélyes lehet a főzőlap felügyelet nélkül hagyása olaj vagy zsír használata közben, mert az ilyen helyzet veszélyt jelenthet és tüzet okozhat. SOHA ne próbálja vízzel oltani az esetleges tüzet; helyette kapcsolja ki a készüléket, és például fedővel vagy tűzálló ruhával lefedve fojtsa el a lángokat.

FIGYELEM: A főzési és sütési folyamatot felügyelni kell. A rövid főzési és sütési folyamatokat csak állandó felügyelet mellett szabad végezni.

- Kialakításából adódóan a készülék bekapcsolása nem lehetséges külső időzítő vagy külön távirányító rendszer segítségével.

FIGYELMEZTETÉS: Tűzveszély: ne helyezzen el tárgyakat a főzőterületen.

- A készüléket úgy kell beépíteni, hogy az elektromos hálózatról leválasztható legyen az érintkezők közötti távolság (3 mm) útján, amellyel III. osztályú túlfeszültség esetén teljes leválasztás biztosítható.
- A készüléket nem szabad kitenni az atmoszférikus hatásoknak (eső, nap).
- A csomagolóanyagot gyermekektől és háziállatoktól távol kell tartani.
- Ügyeljen arra, hogy a készülék közvetlenül a csatlakozóaljzatba legyen bedugva.
- Ne használjon adaptert, többdugaszos elosztót vagy hosszabbítót a készülék csatlakoztatásához.
- Soha ne használja a készüléket a rendeltetészerű céloktól eltérő célokra.
- Az olajsütőt használat közben végig felügyelni kell: a felforrósodott olaj könnyen meggyulladhat.
- Ne működtesse a készüléket külső időzítővel vagy külön távirányító rendszerrel.
- A készüléket nem szabad egy dekorációs célú ajtó mögé szerelni a túlhevülés elkerülése érdekében.
- Ne álljon rá a készülékre, mert ezzel annak sérülését okozhatja.
- Soha ne helyezzen edényeket vagy serpenyőket a szegélyre, mert ez károsíthatja a szilikon illesztéseket.

Üzembe helyezés

Az üzembe helyezési eljárás során kötelező a felhasználás helye szerinti országban hatályos törvények, rendeletek, irányelvek és előírások (az elektromos berendezések biztonságára, az alkatrészek szakszerű újrahasznosítására stb. vonatkozó szabályozások) betartása!


- Az üzembe helyezéssel kapcsolatos további információk a szerelési útmutatóban található.
- Ne használjon szilikon tömítést a készülék és a munkalap között.
- Ellenőrizze, hogy elegendő-e a főzőlap alatti tér a levegő keringésének biztosításához. Nézze meg a szerelési útmutatót.
- A készülék alja nagyon felmelegedhet. Fiókok fölé telepített készülék esetén a készülék alá beszerelt tűzálló válaszlappal kell megakadályozni az alsóbb részekhez való hozzáférést. Nézze meg a szerelési útmutatót.
- A készülék szellőzése meg kell, hogy feleljen a gyártó előírásainak.
- A főzőlap elhelyezésére szolgáló konyhablokkban egy legalább 28 cm² nagyságú elülső nyílást kell kialakítani a termék megfelelő szellőzése érdekében.

A konyhablokk követelményei


- Ha a készüléket gyúlékony anyagokba szerelik be, szigorúan be kell tartani a kifesztültségű berendezésekre vonatkozó iránymutatásokat és szabályozásokat, valamint a tűzvédelmi előírásokat.
- A beépítési egységeknél a (műanyag vagy furnérlemez) részegységeket magas (min. 85 °C) hőnek ellenálló ragasztó használatával kell beszerelni: a nem megfelelő anyagok vagy ragasztók használata deformációt vagy leválást okozhat.
- A készülék mögötti munkalap körül tömör fából készült szegélyek használhatók, amennyiben a minimális távolságok mindenkor megfelelnek az üzembe helyezési rajzokon feltüntetett értékeknek.
- Ha a főzőlap alatt nincs sütő, a készülék alá válaszlapot kell elhelyezni a szerelési útmutatóban szereplő ábrák szerinti módon.

Környezetvédelmi szempontok

A háztartási gépek ártalmatlanítása

- A terméken, illetve a csomagoláson látható  szimbólum arra utal, hogy a terméket nem szabad a háztartási hulladékkal együtt ártalmatlanítani. A terméket az elektromos és elektronikus alkatrészek újrahasznosítására szakosodott központban kell ártalmatlanítani. Ha Ön gondoskodik a termék megfelelő ártalmatlanításáról, akkor ezzel hozzájárul ahhoz, hogy elkerülhetők legyenek a hulladékká vált termék nem szabályos ártalmatlanítása miatt a környezetre és egészségre nézve potenciálisan káros következmények. A termék újrahasznosításával kapcsolatban az önkormányzati hatóságoktól, a helyi hulladékgyűjtő szolgáltatótól vagy a terméket értékesítő bolttól kapható részletes tájékoztatás.

A csomagolóanyagok ártalmatlanítása

A  szimbólummal ellátott anyagok újrahasznosíthatók. Az újrahasznosításhoz a csomagolóanyagot megfelelő tárolóedényekben kell ártalmatlanítani.

Energiatakarékosság

Az alábbi javaslatok betartása esetén nap mint nap energia takarítható meg a főzés során.

- Víz melegítése esetén mindig csak a szükséges mennyiséget használja.
- Lehetőség szerint mindig tegyen fedőt az edényekre.
- A főzőzóna aktiválása előtt helyezze el az edényt.
- A kisebb edényeket a kisebb főzőzónákra helyezze el.
- Az edényeket közvetlenül a főzőzóna közepén helyezze el.
- A maradványhő hasznosításával tartsa melegen vagy olvassza fel az élelmiszereket.

Tisztítás és karbantartás

- Soha ne használjon súrolószivacsot, súrolópárnát, sósavat vagy más olyan terméket, ami megkarcolhatja vagy nyomot hagyhat a felületén.
- A főzőlap felületére, illetve funkcionális vagy esztétikai elemeire véletlenül ráeső vagy azokon felhalmozódó élelmiszereket nem szabad elfogyasztani.
- Mielőtt bármilyen tisztítási vagy karbantartási műveletre sor kerülne, fontos a készülék kikapcsolása vagy áramtalanítása.
- Minden használat után tisztítsa meg a készüléket annak elkerülésére, hogy az esetleges ételmaradékok megszenesedjenek. A rászáradt vagy ráégett szennyeződések sokkal nehezebb eltávolítani.
- A szennyeződések napi eltávolításához használjon puha

- ruhát vagy szivacsot és megfelelő tisztítószert. A használni kívánt mosószerral kapcsolatban kövesse a gyártó ajánlásait. Semleges kémhatású tisztítószerek használata ajánlott.
- A rászáradt szennyeződések, például a forraláskor kifutott tej eltávolítását üvegkerámia felületekhez szánt kaparóval végezze akkor, amikor a főzőlap még meleg. A használni kívánt kaparóval kapcsolatban kövesse a gyártó ajánlásait.
- A sok cukrot tartalmazó ételmaradványok, például a főzés során kifolyt lekvár eltávolítását üvegkerámia felületekhez szánt kaparóval végezze akkor, amikor a főzőlap még meleg. Eltávolítás hiányában ezek az ételmaradványok károsíthatják az üvegkerámia felületet.
- Az esetlegesen megolvadt műanyag eltávolítását

- üvegkerámia felületekhez szánt kaparóval végezze akkor, amikor a főzőlap még meleg. Eltávolítás hiányában ezek az ételmaradványok károsíthatják az üvegkerámia felületet.
- A vízkőfoltokat kis mennyiségű vízkőoldó oldattal távolítsa el, például ecettel vagy citromlével, amikor a főzőlap már kihűlt. Ezt követően újra nedves ruhával tisztítsa meg.

- Az élelmiszerek felvágását vagy előkészítését ne a felületen végezze, és ne ejtsen arra kemény tárgyakat. Ne húzzon lábasokat vagy edényeket a készülék felületén.
- Gőztisztító berendezések használata tilos.

Gyártó

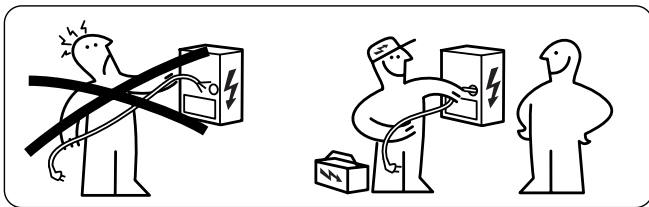
Ikea of Sweden AB - SE - 343 81 Älmhult, Svédország

Elektromos csatlakoztatás

FIGYELMEZTETÉS: Az összes elektromos bekötést engedéllyel rendelkező szakember kell, hogy végezze.

- A csatlakoztatás előtt ellenőrizze, hogy a készülék adattábláján feltüntetett névleges feszültség megfelel-e a hálózati feszültségnek. Az adattábla a főzőlap alsó részén található.
- Csak a pótalkatrész-szerviz által szállított eredeti alkatrészeket használja.
- A készülékhez nem tartozik hálózati kábel. Vásárolja meg a megfelelő egy szakkereskedőtől.
- Ha sérült, cserélje ki a tápkábeleket az eredeti pótkábeleikre. Vegye fel a kapcsolatot az IKEA üzletének telefonos központjával.

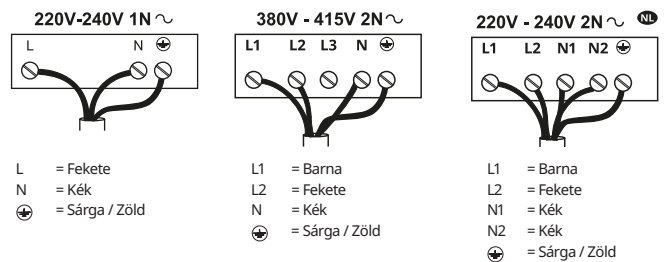
Figyelem! Tilos a vezetékek hegesztése!



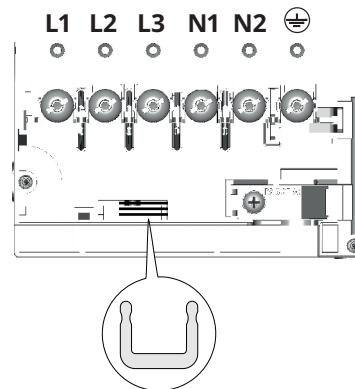
Elektromos csatlakoztatás


- Tartsa be a kapcsolási rajzot (a termék alsóoldalán található).
- Ez a berendezés egy „Y” típusú csatlakozású, és egy H05VV-F tápkábelt igényel. A kábel kötelező véghüvelyeket igényel. Az IECszabvány szerint az egyfázisú csatlakozás-hoz alkalmazzon: 3 x 4 mm² tápkábelt, a kétfázisú csatlakozáshoz: 4 x 2,5 mm² tápkábelt, és a csatlakozáshoz Hollandiában: 5 x 2,5 mm² tápkábelt. A tápkábel külső átmé-rője: min 8 mm - max 12 mm. Kérjük, tartsa be a nemzeti szabványelőírásokat.
- A csatlakozódoboz fedelének levételével le-het hozzáférni a bekötést biztosító kap-csokhoz.
- Ellenőrizze, hogy a háztartás elektromosberendezésének jellemzői (feszültség, ma-ximális teljesítmény és áramerősség) meg-feleljenek a készülék tulajdonságainak.
- A készüléket az ábrán bemutatott módonkösse be (a nemzeti szinten hatályos hálózati feszültségre vonatkozó előírásoknakmegfelelően).

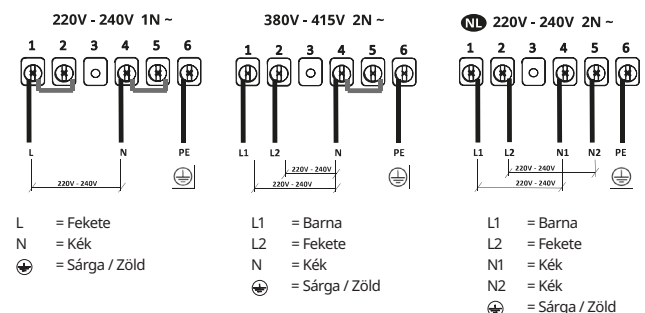
Csatlakoztatási rajz ház oldal



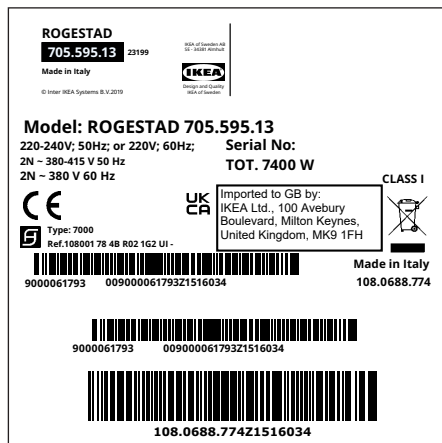
Csatlakoztatási rajz termék oldal



A kapocslécek közé  az ábra szerinti módon kell söntöket beilleszteni



Adattábla



A fenti képen látható a készülék adattáblája. Minden terméknek saját sorozatszámja van. Tisztelt Ügyfelünk, arra kérjük Önt, hogy őrizze meg a termék belsejében elhelyezett biztonsági füzet borítóján található kiegészítő adattáblát.

Ily módon jobban tudunk majd segíteni az Ön által vásárolt főzőlap pontos azonosításában, amennyiben a jövőben segítségre lenne szüksége. Köszönjük együttműködését!

IKEA GARANCIA

Meddig érvényes az IKEA garancia?

Ez a garancia öt (5) évig érvényes a készülék IKEA boltban történt vásárlásának eredeti időpontjától számítva. Az eredeti blokkot – mint vásárlási elismervényt – feltétlenül meg kell őrizni. A garancia keretében végzett javítások nem hosszabbítják meg a készülék garanciális időtartamát.

Ki biztosít vevőszolgálatot?

A vevőszolgálatot az a szolgáltató biztosítja, akit erre az IKEA saját szervezetén vagy a hivatalos vevőszolgálati partnerek hálózatán keresztül kijelöl.

Mire terjed ki a garancia?

A garancia az elektromos háztartási készülék anyagaihoz vagy kialakításához kapcsolódó esetleges hibákra terjed ki, és attól a naptól érvényes, amelyen megtörténik az elektromos háztartási készülék vásárlása egy IKEA árusítóhelyen. A garancia csak az otthoni használatra szánt elektromos háztartási készülékekre terjed ki. A kivételek felsorolása a „Mire nem terjed ki a garancia?” címszó alatt található. A garancia érvényességi időtartama alatt a vevőszolgálat fedezi a javítások költségeit (cserealkatrészek, munkaerő, karbantartói kiszállás), feltéve hogy a készülékhez javítási célból történő hozzáférés nem jelent különleges költségeket. Ezek a feltételek megfelelnek az uniós irányelveknek (99/44/EK), valamint a hatályos helyi jogszabályoknak és előírásoknak. A kicserélt alkatrészek az IKEA tulajdonába kerülnek.

Mit tesz az IKEA a probléma megoldása érdekében?

Az IKEA által megbízott szolgáltató a termék megvizsgálásakor saját kizárólagos hatáskörében eldönti, hogy az adott helyzetben alkalmazható-e a garancia. Ha alkalmazható, akkor az IKEA szolgáltatója vagy valamelyik hivatalos vevőszolgálati partnere saját kizárólagos hatáskörében elvégzi a hibás termék javítását, vagy kicseréli azt egy ugyanolyan vagy egyenértékű termékkel.

Mire nem terjed ki a garancia?

- Normál elhasználódás.
- Szándékosan okozott vagy hanyagságból eredő károsodások, továbbá az üzemeltetési útmutató be nem tartása, a helytelen üzembe helyezés vagy a téves feszültségre való csatlakoztatás miatti károsodások, a vegyi vagy elektrokémiai reakciók, rozsdás, korrózió vagy víz miatti károsodások, beleértve többek között a vízvezetékben található túlzott mennyiségű vízkő, valamint a légköri és természeti jelenségek miatti károsodásokat is.
- Az elhasználódó alkatrészek, például akkumulátorok és izzók.
- Az elektromos háztartási készülék normál használatát nem befolyásoló díszítő és nem funkcionális alkatrészek károsodása, beleértve a karcolódásokat és színváltozásokat.
- Az idegen anyagok vagy testek miatt, valamint a szűrők, elvezetőrendszerek vagy mosószer-tartók tisztítása vagy eltömődés-mentesítése miatt jelentkező véletlenszerű károsodások.
- A különböző elemek pl. üvegkerámia, tartozékok, evőeszköz- és edénytartó kosarak, bevezető- és elvezetőcsövek, tömítések, izzók és izzóburkolatok, védőelemek, borítások, burkolatok és burkolatelemek károsodásai, feltéve hogy ezen a károsodásokat bizonyíthatóan gyártási hibák okozták.
- Azok az esetek, amikor a kiszálló szakember nem tud hibát megállapítani.
- A nem az IKEA által kijelölt szolgáltató vagy valamelyik hivatalos vevőszolgálati partner által végzett javítások, illetve a nem eredeti alkatrészek felhasználásával végzett javítások.
- A helytelen vagy nem az előírások szerint végzett üzembe helyezés miatti javítások.
- Az elektromos háztartási készülék nem háztartási, hanem

például professzionális célú használata.

- A szállítás miatti károsodások. A vevő által a saját otthonában vagy egy másik tartózkodási helyen végzett szállítás esetén az IKEA nem vállalhat felelősséget a szállítás közben jelentkező károsodásokért. Ha azonban a vevő otthonában az IKEA végzi a szállítást, akkor a jelen garancia kiterjed a szállítás közben jelentkező esetleges károsodásokra is.
- Az IKEA készülék első üzembe helyezési költsége. Ettől függetlenül, ha a garancia keretén belül az IKEA által kijelölt szolgáltató vagy valamelyik hivatalos vevőszolgálati partner végez javítást vagy cserét, akkor a szolgáltató vagy a hivatalos vevőszolgálati partner köteles gondoskodni a megjavított elektromos háztartási készülék ismételt üzembe helyezéséről, illetve a csere elektromos háztartási készülék üzembe helyezéséről is, amennyiben szükséges.

A fenti korlátozások nem vonatkoznak azokra a szakember által szakszerűen és eredeti alkatrészek felhasználásával elvégzett munkákra, amelyek célja a készülék hozzágazítása egy másik uniós tagállam biztonsági előírásaihoz.

A nemzeti törvények alkalmazhatósága

Az IKEA garancia konkrét jogosultságokat biztosít a vevőnek az országoként eltérő és törvényben rögzített jogokon kívül. Ezek a feltételek azonban semmilyen módon nem korlátozzák a helyi jogszabályokban meghatározott fogyasztói jogokat.

Érvényességi terület

A valamelyik uniós tagállamban vásárolt és egy másik uniós tagállamba átszállított elektromos háztartási készülékeknél a szolgáltatások nyújtása az új tagállamban érvényes garanciális feltételek szerint történik. A garanciális feltételek szerinti szolgáltatásnyújtási kötelezettség csak akkor áll fenn, ha a készülék és annak beszerelése megfelel az alábbi előírásoknak:

- a garancia érvényesítése szerinti országban érvényes műszaki specifikációk;
- a Használati utasításban található biztonsági tájékoztató.

Az IKEA elektromos háztartási készülékekhez rendelkezésre álló vevőszolgálat:

Az alábbi ügyekben érdemes az IKEA vevőszolgálathoz fordulni:

1. segítségnyújtás kérése a garancia lehetőségének kihasználásával;
2. felvilágosítás kérése az IKEA elektromos háztartási készülékeknek az IKEA konyhabútorokba történő beszerelésével kapcsolatban. Az alábbiakra vonatkozóan a vevőszolgálat nem tud érdemi segítséget vagy felvilágosítást adni:
 - komplett IKEA konyhák beszerelése;
 - elektromos csatlakoztatások (ha a készülék szállítása hálózati zsinór és csatlakozó nélkül történik), víz- és gázbekötések, amelyeket csak az erre feljogosított szerviz munkatárs végezhet.

felvilágosítás kérése az IKEA elektromos háztartási készülék használati útmutatójában foglaltakkal és műszaki adataival kapcsolatban.

A segítség nagyobb hatékonysága érdekében a vevőszolgálathoz fordulás előtt a vevőnek ajánlott figyelmesen elolvasnia a szerelési utasításokat és/vagy a használati útmutatót.

Elérhetőségünk segítség kérése esetén



A jelen útmutató utolsó oldalán található az IKEA szolgáltatók teljes listája a vonatkozó nemzeti telefonszámokkal együtt.


Fontos! A gyorsabb szolgáltatás érdekében ajánlott a jelen útmutató végén található telefonszámokat használni. Segítség kérésekor mindig a jelen útmutatóban található készülékkódokra kell hivatkozni. Mielőtt hozzánk fordulna, keresse meg és tartsa keze ügyében a segítségnyújtás tárgyát képező elektromos háztartási készülék IKEA termékkódját (8 jegyű szám).

Fontos! ŐRIZZE MEG A BLOKKOT! Ez bizonyítja a vásárlást, és ezt kell bemutatni a garancia igénybeviteléhez. A blokkon is megtalálható a vásárolt IKEA elektromos háztartási készülék megnevezése és kódja (8 jegyű szám).


Egyéb segítségre van szüksége?

Az elektromos háztartási készülékekre vonatkozó további, nem vevőszolgálati jellegű kérdéseivel forduljon a legközelebbi IKEA árusítóhelyhez. Kérjük, hogy figyelmesen olvassa el a készülék dokumentációját, mielőtt hozzánk fordulna.

Информация за безопасност

 За собствената ви безопасност и за да се гарантира правилна работа на уреда, прочетете внимателно това ръководство, преди да монтирате и използвате продукта. Пазете тези инструкции при уреда, дори и ако е продаден или предаден на други лица. Важно е потребителите да познават всички характеристики за работа и безопасност на уреда.

Тези плотове имат индукционни системи, които отговарят на изискванията на стандартите за електромагнитна съвместимост (EMC) и на директивата относно електромагнитните полета (EMF) и не би трябвало да смущават работата на други електронни устройства. Хората с пейсмейкър или други електронни импланти трябва да се консултират с лекар или с производителя на имплантираното устройство, за да се прецени дали устройството е достатъчно устойчиво на смущения.


 Електрическото свързване трябва да се извърши от квалифициран електротехник. Преди да направите електрическите връзки, прочетете раздела за ЕЛЕКТРИЧЕСКО СВЪРЗВАНЕ.

За уреди със захранващ кабел, щифтовете на щепсела или частта от проводника между точката на закрепване на кабела и щифтовете трябва да са подредени така, че да позволят проводниците под напрежение да се измъкнат преди заземяващия проводник, ако кабелът се измъкне от щепсела.


- Производителят не носи отговорност за повреди, предизвикани от неправилен или неподходящ монтаж.
- Проверете дали напрежението на захранващата мрежа съответства на посоченото на табелката с данни, която

е поставена от вътрешната страна на продукта.

- Вградените устройства трябва да се монтират в системата в съответствие с нормативната уредба за прокарване на кабели.
- За уредите от клас I проверете дали електрозахранването в дома има подходяща заземителна система.
- Свържете уреда към електрическата мрежа чрез многополюсен превключвател.
- Ако захранващият кабел е повреден, трябва да бъде сменен от производителя, от оторизиран сервизен център или от квалифициран техник, за да се избегнат всякакви рискове.

 **ПРЕДУПРЕЖДЕНИЕ:** Махнете защитните фолиа, преди да монтирате уреда.

- Използвайте само предоставените с уреда винтове и компоненти за монтаж.

 **ПРЕДУПРЕЖДЕНИЕ:** Неспазването на тези инструкции за монтаж с посочените винтове и закрепващи елементи може да създаде опасност от електрически удар.

- Дейностите по почистване и обслужване не трябва да се извършват от деца, освен когато са под наблюдението на възрастен.
- Наблюдавайте децата и не позволявайте да си играят с уреда.
- Този уред не бива да се използва от лица (включително деца) с намалени физически, сетивни или умствени способности или без опит и познания, освен ако не са внимателно наблюдавани и инструктирани от лице, отговарящо за тяхната безопасност, относно безопасното използване на уреда.
- Този уред може да се използва от

деца на възраст над 8 години и от лица с намалени физически, сетивни или умствени способности или без достатъчен опит и познания, при условие че са внимателно наблюдавани и инструктирани относно безопасното използване на уреда и възможните опасности. Не позволявайте на деца да си играят с уреда.

⚠ ПРЕДУПРЕЖДЕНИЕ: Уредът и достъпните му части се нагорещават изключително много по време на използване.

Много внимавайте да не докосвате нагревателните елементи.

Не разрешавайте на деца на възраст под 8 години да се доближават до уреда, освен ако не са под постоянно наблюдение.

ПРЕДУПРЕЖДЕНИЕ: Ако по повърхността се появят пукнатини, изключете уреда, за да избегнете опасност от електрически удар.

- Не включвайте уреда, ако повърхността е напукана или материалът е видимо изтънял.
- Не докосвайте уреда, ако ръцете или тялото ви са влажни.
- Не почиствайте продукта с уреди за почистване с пара.
- Не оставяйте върху плота метални предмети, като ножове, вилници, лъжици и капаци на тенджери, тъй като може силно да се нагорещят.
- След употреба изключвайте плота със съответния ключ, не разчитайте на сензорите за съдове върху плота.

ПРЕДУПРЕЖДЕНИЕ: Когато готвите с олио или мазнина, не оставяйте съда без надзор върху плота, тъй като има опасност от пожар. НИКОГА не опитвайте да угасите пламъка с вода; вместо това изключете уреда и потушете пламъка например с капак на тенджера или с противопожарно одеяло.

ВНИМАНИЕ: Не оставяйте уреда без надзор по време на готвене. Не оставяйте уреда без надзор, дори по време на кратко готвене.

- Уредът не е проектиран за включване с външен таймер или с отделна система с дистанционно управление.

ПРЕДУПРЕЖДЕНИЕ: Опасност от пожар: не оставяйте нищо върху повърхността за готвене.

- Уредът трябва да се монтира така, че да може да се изключва от електрическата мрежа чрез прекъсвач с междина между контактите (3 мм), който осигурява пълно изключване при претоварване от категория III.
- Никога не излагайте уреда на влияния от околната среда (дъжд, слънце).
- Дръжте опаковъчните материали далеч от достъпа на деца и животни.
- Включвайте уреда директно към захранващата мрежа.
- Не включвайте уреда в адаптери, разклонители с множество гнезда или удължители.
- Никога не го използвайте за цели, различни от предназначението.
- Наблюдавайте постоянно фритюрниците по време на употреба: при силно нагорещаване мазнината може да се запали.
- Не използвайте уреда с външен таймер или с отделна система с дистанционно управление.
- Никога не монтирайте уреда зад декоративна вратичка, за да избегнете прегряване.
- Никога не стъпвайте върху уреда, за да не го повредите.
- Не оставяйте горещи съдове върху ръба, за да не повредите силиконовите уплътнения.

Монтаж

По време на монтажа трябва да се спазват действащите закони, наредби, директиви и стандарти (правилата и разпоредбите за електрическа безопасност, правилно рециклиране в съответствие с разпоредбите и т.н.) в страната на употреба.


- За повече информация относно монтажа вижте инструкциите за монтаж.
- Не поставяйте силиконов уплътнителен материал между уреда и работния плот.
- Уверете се, че под плота има достатъчно пространство за циркулация на въздух. Вижте инструкциите за монтаж.
- Долната повърхност на уреда се нагорещява. Ако го монтирате над чекмеджета, непременно монтирайте под уреда разделителен панел от незапалим материал, за да няма достъп до долната му повърхност. Вижте инструкциите за монтаж.
- Вентилацията на уреда трябва да отговаря на инструкциите на производителя.
- За да осигурите вентилация, оставете отвор поне 28 см² отпред на шкафа, в който монтирате плочата.

Изисквания относно кухненските шкафове

- Ако монтирате уреда върху запалими материали, стриктно спазвайте нормативната уредба за нисковолтови инсталации и пожаробезопасност.
- Компонентите на шкафове за вграждане (пластмасови материали и фурнировано дърво) трябва да са сглобени с термоустойчиви лепила (мин. 85°C); използването на неподходящи материали и лепила може да доведе до изкривяване и отлепване.
- Използването на декоративни дървени рамки около плота зад уреда е разрешено, при условие че минималното разстояние съответства на посоченото на монтажните чертежи.
- Ако под плота няма фурна, монтирайте под плота разделителен панел, като спазвате инструкциите за монтаж.

Екологични аспекти


Изхвърляне на домакинските уреди

- Символът  върху продукта или неговата опаковка показва, че този продукт не трябва да се изхвърля заедно с битовите отпадъци. Продуктът трябва да се предаде в специализиран център за рециклиране на електрическа и електронна апаратура. Като се погрижите за правилното изхвърляне на този продукт, вие ще помогнете за предотвратяването на възможни негативни последици за околната среда и за здравето, които могат да настъпят след неправилно изхвърляне. За по-подробна информация относно рециклирането на този продукт се обърнете към местната градска управа, фирмата за събиране на домакински отпадъци или магазина, от който сте закупили уреда.

Пестене на енергия

- Спазвайте съветите по-долу, за да пестите енергия при ежедневното готвене.
- Когато загревате вода, сипвайте само толкова, колкото ще ви е необходима.
 - Ако е възможно, винаги слагайте капаци на съдовете.
 - Преди да включите зона за готвене, поставете съд.
 - Слагайте по-малките съдове върху по-малките зони за готвене.
 - Слагайте съда точно по средата на зоната за готвене.
 - Използвайте остатъчната топлина, за да запазите храната топла или да разтопите продукти.

Изхвърляне на опаковъчните материали

Материалите със символа  могат да се рециклират. Изхвърлете опаковъчните материали в контейнерите за разделно събиране на отпадъци.

Поддръжка и почистване

- Никога не използвайте абразивни гъби, домакинска тел, солна киселина или други продукти, които могат да надраскат или да оставят петна по повърхността.
- Храна, паднала или залепнала на повърхността или по функционалните или декоративни елементи на плота, не бива да се консумира.
- Изключвайте уреда или изваждайте щепсела от контакта, преди да извършвате дейности по поддръжката.
- Почиствайте уреда след всяка употреба, за да избегнете загаряне на падналата на повърхността му храна. Загорелите остатъци се почистват много по-трудно.
- За всекидневни замърсявания използвайте мека кърпа или гъба с подходящ препарат. За използваните препарати за почистване спазвайте препоръките на производителя. Препоръчително е да се използват щадящи препарати.
- Отстранявайте загорелите остатъци, например прекипяло мляко, със стъргалка за стъклокерамика, докато плотът е още горещ. За използваните стъргалки спазвайте препоръките на производителя.
- Отстранявайте храни, съдържащи захар, например мармалад, който се е разлял при печене, със стъргалка за стъклокерамика, докато плотът е още горещ. В противен случай останалото замърсяване може да повреди стъклокерамичната повърхност.
- Отстранявайте разтопената пластмаса със стъргалка за

стъклокерамика, докато плотът е още горещ. В противен случай останалото замърсяване може да повреди стъклокерамичната повърхност.

- Отстранявайте варовиковите накипи с малко количество разтвор за премахване на накип, например оцет или лимонен сок, след като плотът се охлади. След това почистете отново с влажна кърпа.

- Не режете и не приготвяйте храна върху повърхността и не изпускайте върху нея твърди предмети. Не влачете тигани или чинии по повърхността.
- Не почиствайте с уреди за почистване с пара.

Производител

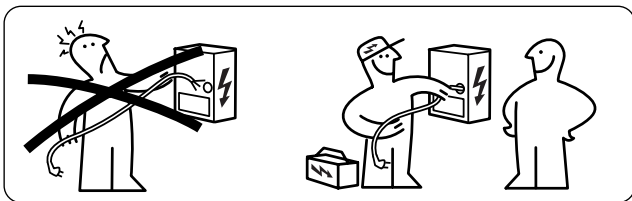
Ikea of Sweden AB - SE - 343 81 Älmhult, Швеция

Електрическо свързване

⚠ ПРЕДУПРЕЖДЕНИЕ: Електрическото свързване трябва да се извърши от квалифициран електротехник.

- Преди да извършите връзките, проверете дали номиналното напрежение на уреда, показано на съответната табелка с данни, съответства на захранващото напрежение на мрежата. Табелката с данни е поставена отдолу на плота.
- Използвайте единствено оригинални компоненти, предоставени от услугата за резервни части.
- Уредът не е оборудван с кабел за свързване към мрежата. Закупете правилния кабел от специализиран магазин.
- Ако са повредени, сменете захранващите кабели със съответните оригинални резервни кабели. Свържете се с телефонния център на вашия магазин IKEA.

⚠ Внимание! Не запоявайте никой от кабелите!



Електрическо свързване

- Придържайте се към схемата за свързване (разположена от долната страна на продукта).
- Този уред представя свързване от типа "Y" и се нуждае от кабел за захранване H05VV-F. Кабелът има нужда от задължителни терминални краища. Съгласно регламент IEC използвайте за монофазното свързване: захранващ кабел 3 x 4 mm², за двуфазната връзка: захранващ кабел 4 x 2,5 mm² и за свързване в Холандия: захранващ кабел 5 x 2,5 mm². Външен диаметър на захранващия кабел: мин. 8 mm - макс. 12 mm. Моля, спазвайте специфичните национални регламенти.
- Съединителните клеми са достъпни, като се отстрани капакът на съединителната кутия.
- Проверете дали характеристиките на електрозахранването в дома (напрежение, максимална мощност и максимален ток) са съвместими с тези на уреда.
- Свържете уреда както е показано на схемата (в съответствие на действащите в страната стандарти за мрежово напрежение).

Схема на свързване от страната на къщата

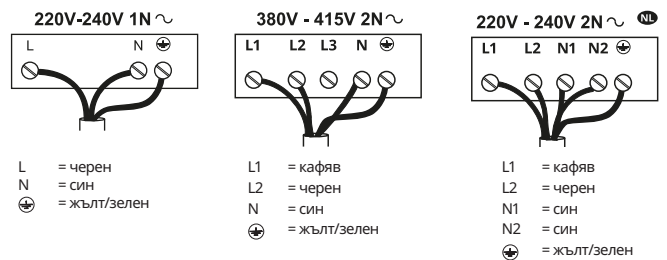
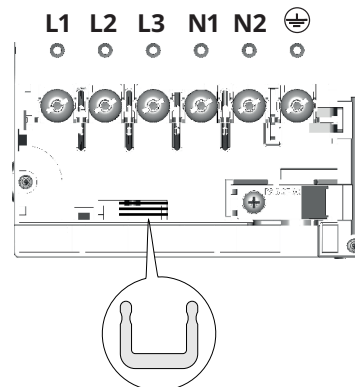

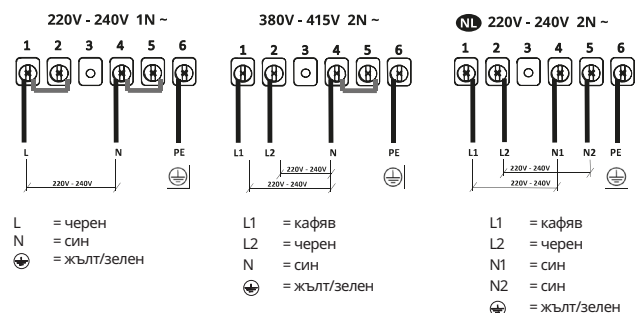


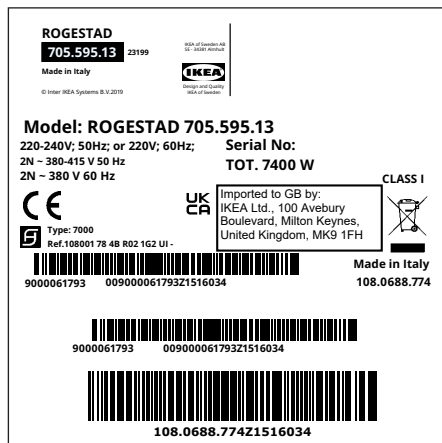
Схема на свързване от страната на продукта



Поставете изолиращите пластини  между винтовете, както е показано



Табелка с данни



На фигурата по-горе е показана табелката с данни на уреда. Серийният номер е уникален за всеки продукт. Уважаеми клиенти, запазете допълнителната табелка с данни, поставена върху корицата на брошурата за безопасност на вашия продукт.

Тя ще ни позволи да определим точно модела на вашия плот, за да ви окажем по-добро съдействие в случай на нужда в бъдеще. Благодарим!

ГАРАНЦИЯ ОТ ИКЕА

За какъв срок е валидна гаранцията от ИКЕА?

Тази гаранция е валидна за срок от пет (5) години от датата на първоначалната покупка на уреда от ИКЕА. Оригиналната касова бележка се изисква като доказателство за покупката. Ако в рамките на гаранционния срок е извършено сервизно обслужване, това не удължава гаранционния срок на уреда.

Кой извършва сервизното обслужване?

Доставчикът на сервизно обслужване на ИКЕА извършва обслужване посредством свои собствени сервизи или мрежа от упълномощени сервизни партньори.

Какво покрива тази гаранция?

Гаранцията покрива дефекти на уреда, които са предизвикани от дефектна конструкция или дефекти в материалите, настъпили след датата на покупка от ИКЕА. Тази гаранция важи само при употреба в домашна среда. Изключенията са посочени под заглавие „Какво не се покрива от тази гаранция?“. В рамките на гаранционния срок се покриват разходите за отстраняване на дефекта, например ремонти, части, труд и пътуване, при условие че уредът е достъпен за ремонт без специални разходи. При тези условия се прилагат Директивите на ЕС (№ 99/44/ЕО) и съответната местна нормативна уредба. Сменените части стават собственост на ИКЕА.

Какво ще направи ИКЕА, за да отстрани проблема?

Определеният от ИКЕА доставчик на сервизно обслужване ще огледа продукта и ще прецени, по собствено усмотрение, дали за продукта важи тази гаранция. Ако гаранцията важи за продукта, доставчикът на сервизно обслужване на ИКЕА или негов упълномощен сервизен партньор чрез своя собствен сервиз, по собствено усмотрение, ще ремонтира дефектния продукт или ще го смени със същия или подобен продукт.

Какво не се покрива от тази гаранция?

- Нормално износване и изхабяване.

- Умишлена повреда или повреда, която е предизвикана от небрежност, неспазване на инструкциите за работа, неправилен монтаж или свързване към неподходящо напрежение, химична или електрохимична реакция, ръжда, корозия или вода, включително, но не само повреда, предизвикана от прекомерно количество варовик в подаваната вода, или повреда, предизвикана от необичайни условия на околната среда.
- Консумативи, включително батерии и крушки.
- Нефункционални и декоративни части, от които не зависи нормалното използване на уреда, включително драскотини и възможни разлики в цветовете.
- Случайна повреда, предизвикана от чужди тела или материи, както и почистване и отпушване на филтри, системи за оттичане или чекмеджета за сапун.
- Повреда на следните части: стъклокерамика, аксесоари, кошници за съдове и прибори, тръби за подаване и оттичане, уплътнения, крушки и капаци на крушките, екрани, ключове, корпуси и части на корпуси. С изключение на случаите, в които може да се докаже, че тези повреди са предизвикани от дефекти в производството.
- Случаи, в които не е установен дефект при посещението на техник.
- Ремонти, които не са извършени от посочените от нас доставчици на сервизно обслужване и/или упълномощени сервизни партньори, или при които са използвани неоригинални части.
- Ремонти, наложени от монтаж, който е извършен неправилно или без да е спазена спецификацията.
- Употреба на уреда в различна от домашна среда, т.е. професионална употреба.
- Повреди при транспортирането. Ако клиентът сам транспортира продукта до дома си или до друг адрес, ИКЕА не носи отговорност за повреди, които може да възникнат при транспортирането. Ако обаче ИКЕА доставя продукта

до адреса на клиента, тази гаранция покрива повредите, възникнали по време на доставката.

- Цената на първоначалния монтаж на уреда на IKEA. Ако обаче доставчик на сервизно обслужване на IKEA или негов оторизиран сервизен партньор ремонтира или замени уреда при условията на тази гаранция, той ще монтира ремонтирания или новия уред, ако е необходимо.

Това ограничение не важи за работата без дефекти, извършена от квалифициран специалист с използване на наши оригинални части с цел уредът да се пригоди към спецификациите за техническа безопасност на друга страна от ЕС.

Как се прилага националното законодателство

Гаранцията от IKEA ви дава определени законови права, които съответстват на местните изисквания или ги превишават. Тези условия обаче по никакъв начин не ограничават правата на потребителя, заложи в местното законодателство.

Област на валидност

За уреди, закупени в една страна от ЕС и пренесени в друга страна от ЕС, сервизното обслужване се осигурява съобразно нормалните гаранционни условия в новата страна. Задължение за извършване на сервизно обслужване в рамките на гаранцията съществува само ако уредът отговаря на и е монтиран в съответствие с:

- техническите спецификации на страната, в която е предявен гаранционният иск;
- инструкциите за монтаж и информацията за безопасност в ръководството за потребителя.

Специализиран сервиз за поддръжка на закупените уреди на IKEA:

Не се колебайте да се обърнете към сервиза за поддръжка на IKEA, за да:

1. направите заявка за сервизно обслужване при условията на тази гаранция;
2. поискате разяснения относно монтажа на уреда на IKEA в специализираните кухненски мебели на IKEA. Сервизът не може да даде разяснения относно:
 - цялостния монтаж на кухните на IKEA;
 - свързването към електрическата мрежа (ако уредът е доставен без щепсел и кабел), към водопровод и газова инсталация, тъй като то трябва да се извърши от упълномощен сервизен техник.
3. поискате разяснения във връзка със съдържанието на ръководството за потребителя и спецификациите на уреда на IKEA.

За да можем да ви предоставим най-добрата поддръжка, прочетете внимателно инструкциите за монтаж и/или раздела „Ръководство за потребителя“ в тази книжка, преди да се обърнете към нас.

Как да се свържете с нас, ако се нуждаете от сервизно обслужване



Вижте последната страница на това ръководство за пълния списък на определените от IKEA лица за контакт и телефонните номера в съответната страна.


Важно! За да ви предоставим по-бързо обслужване, препоръчваме да използвате телефонните номера от списъка в края на това ръководство. Винаги използвайте телефонните


номера, посочени в ръководството на конкретния уред, за който се нуждаете от помощ. Преди да ни се обадите, се погрижете да имате под ръка артикулния номер на IKEA (8-цифрен код) за уреда, за който се нуждаете от помощ. **Важно! ЗАПАЗЕТЕ КАСОВАТА БЕЛЕЖКА!** Тя е вашето доказателство за покупка и е необходима, за да бъде в сила гаранцията. Обърнете внимание, че на касовата бележка са посочени името на продукта и артикулния номер на IKEA (8-цифрен код) – за всеки закупен уред.

Нуждаете се от още помощ?

За всички допълнителни въпроси, които не са свързани със сервизното обслужване на нашите уреди, се обръщайте към центъра за обаждания на най-близкия магазин на IKEA. Препоръчваме внимателно да прочетете документацията на уреда, преди да се обърнете към нас.

Informații privind siguranța

 Pentru siguranța proprie și pentru funcționarea corectă a aparatului, citiți cu atenție acest manual înainte de instalare și punerea în funcțiune. Păstrați întotdeauna aceste instrucțiuni împreună cu aparatul, chiar și în cazul cesiunii sau transferului către terți. Este important ca utilizatorii să cunoască toate caracteristicile de funcționare și de siguranță ale aparatului. Aceste plite prezintă sisteme de inducție conforme cu cerințele directivelor EMC și EMF și nu ar trebui să interfereze cu alte dispozitive electronice. Purtătorii de pacemaker sau alte implanturi electronice trebuie să consulte medicul sau producătorul dispozitivului implantat, pentru a evalua gradul de susceptibilitate la interferențe.


 Conexiunile electrice trebuie să fie efectuate de un tehnician calificat. Înainte de a efectua conexiunea electrică, citiți cu atenție secțiunea CONEXIUNE ELECTRICĂ.

Pentru aparatele cu cablu de alimentare, bornele sau secțiunea cablurilor dintre punctul de ancorare a cablului și borne trebuie să fie dispuse în așa fel încât să permită extragerea conductorului sub tensiune din amonte de cablul de împământare, în cazul ieșirii din sistemul de ancorare.


- Producătorul nu poate fi tras la răspundere pentru eventualele daune cauzate de instalarea și utilizarea incorectă.
- Asigurați-vă că alimentarea de la rețea corespunde cu cea indicată pe plăcuța cu specificații aplicată pe partea interioară a produsului.
- Dispozitivele de întrerupere trebuie să fie montate în instalația fixă, în conformitate cu normele privind sistemele de cablare.
- Pentru aparatele din Clasa I, controlați ca

rețeaua casnică de alimentare să dispună de o împământare adecvată.

- Conectați produsul la rețeaua electrică folosind un întrerupător omnipolar.
- În cazul în care alimentarea este deteriorată, trebuie să fie înlocuită de producător, de un centru de asistență autorizat sau de un tehnician calificat, pentru a evita riscurile sau situațiile de pericol.

 **AVERTISMENT:** Înainte de a instala aparatul, îndepărtați foliile de protecție.

- Utilizați numai șuruburile și celelalte articole de fierărie furnizate împreună cu aparatul.

 **AVERTISMENT:** Lipsa instalării șuruburilor sau a dispozitivelor de fixare în conformitate cu aceste instrucțiuni poate cauza riscuri de șocuri electrice.

- Operațiunile de curățare și întreținere nu trebuie să fie efectuate de copii, dacă aceștia nu sunt supravegheați de un adult.
- Copiii trebuie să fie supravegheați pentru a vă asigura că nu se joacă cu aparatul.
- Acest aparat nu trebuie să fie utilizat de persoane (inclusiv copii) cu capacități fizice, senzoriale sau mentale limitate sau fără experiență și cunoștințe, dacă nu sunt supravegheate atent sau instruite în privința utilizării în siguranță a aparatului de către o persoană responsabilă pentru siguranța lor.
- Acest aparat poate fi folosit de copii cu vârsta de cel puțin 8 ani și de către persoane cu capacități fizice, senzoriale și mentale reduse sau lipsite de experiență și cunoștințe, cu condiția să fie supravegheate atent și instruite în privința modului de utilizare în siguranță a aparatului și în privința pericolelor pe care acesta le prezintă. Nu lăsați copiii să se joace cu aparatul.

 **AVERTISMENT:** Aparatul și părțile sale accesibile se încălzesc foarte tare în

timpul utilizării.

Fiți foarte atenți să nu atingeți rezistențele.

Țineți copiii cu vârsta mai mică de 8 ani la distanță, dacă nu sunt supravegheați permanent.

AVERTISMENT: Dacă suprafața prezintă crăpături, opriți aparatul pentru a evita riscul de șocuri electrice.

- Nu porniți aparatul dacă suprafața este crăpată sau sunt vizibile daune în grosimea materialului.
- Nu atingeți aparatul cu mâinile sau cu părți ude ale corpului.
- Nu utilizați aparate cu abur pentru a curăța produsul.
- Nu sprijiniți pe suprafața plitei obiecte metalice, cum ar fi cuțite, furculițe, linguri și capace, deoarece se pot supraîncălzi.
- Utilizați comanda corespunzătoare pentru a stinge plita după utilizare; nu vă bazați exclusiv pe senzorii pentru cratițe.

AVERTISMENT: Este periculos să lăsați nesupravegheată plita, atunci când utilizați uleiuri sau grăsimi, deoarece s-ar putea crea o situație de pericol și poate apărea un incendiu. Nu încercați NICIODATĂ să stingeți eventualele flăcări cu apă, opriți mai degrabă aparatul și înăbușiți flăcările, de exemplu cu un capac sau cu o cârpă rezistentă la foc.

ATENȚIE: Procesul de preparare trebuie să fie supravegheat. O perioadă scurtă de gătit trebuie supravegheată permanent.

- Aparatul nu este proiectat să fie pus în funcțiune cu ajutorul unui temporizator extern sau al unui sistem de comandă la distanță separat.

AVERTISMENT: Pericol de incendiu: nu așezați obiecte pe suprafețele de gătit.

- Aparatul trebuie să fie instalat în așa fel încât să poată fi deconectată alimentarea electrică cu o distanță de deschidere a contactelor (3 mm) care să asigure

deconectarea completă în condiții de supraîncărcare din categoria III.

- Aparatul nu trebuie să fie expus niciodată la agenți atmosferici (ploaie, soare).
- Nu păstrați ambalajele la îndemâna copiilor și a animalelor domestice.
- Asigurați-vă că dispozitivul este conectat direct la priza de curent.
- Nu utilizați adaptoare, prize multiple sau prelungitoare pentru a conecta dispozitivul.
- Nu utilizați niciodată aparatul în scopuri diferite de cele pentru care a fost proiectat.
- Friteuzele trebuie să fie monitorizate permanent în timpul utilizării: uleiul supraîncălzit ar putea să se aprindă.
- Nu acționați aparatul cu un temporizator extern sau cu un sistem de comandă la distanță separat.
- Aparatul nu trebuie să fie niciodată instalat în spatele unei uși decorative, pentru a evita supraîncălzirea acestuia.
- Nu stați în picioare pe aparat, deoarece s-ar putea deteriora.
- Nu sprijiniți cratițe și tigăi pe margine, deoarece ar putea deteriora îmbinările din silicon.

Instalare

Pentru procedura de instalare, este obligatoriu să se respecte legile, ordonanțele, directivele și normele (regulamentele privind siguranța instalațiilor electrice, reciclarea corectă a componentelor etc.) în vigoare în țara de utilizare!


- Pentru informații suplimentare referitoare la instalare, consultați Instrucțiunile de montaj.
- Nu utilizați un sigilant siliconic între aparat și blat.
- Asigurați-vă că spațiul de sub plită este suficient pentru circulația aerului. Consultați Instrucțiunile de montaj.
- Baza aparatului poate deveni foarte fierbinte. Dacă aparatul este instalat deasupra unor sertare, asigurați-vă că instalați un panou de separare ignifug sub aparat, pentru a împiedica accesul la partea inferioară. Consultați Instrucțiunile de montaj.
- Ventilarea aparatului trebuie să fie conformă cu instrucțiunile producătorului.
- Creați o deschidere frontală de cel puțin 28 cm² în corpul de bucătărie care trebuie să adăpostească plita, pentru a permite o aerisire corectă a produsului.

Cerințe pentru corpul de bucătărie


- Dacă aparatul este montat pe materiale inflamabile, trebuie să se respecte cu strictețe liniile directe și regulamentele referitoare la instalații de joasă tensiune și normele de prevenire a incendiilor.
- Pentru unitățile încastate, componentele (din material plastic și lemn furniruit) trebuie să fie montate cu adezivi rezistenți la căldură (min. 85 °C): utilizarea unor materiale și a unor adezivi neadevătați poate cauza deformarea sau desprinderea componentelor.
- Este permisă utilizarea profilelor din lemn masiv în jurul blatului, în spatele aparatului, cu condiția ca distanțele minime să fie întotdeauna conforme cu indicațiile furnizate în schemele de instalare.
- Dacă nu există un cuptor sub plită, instalați un panou de separare sub aparat, conform ilustrațiilor din Instrucțiunile de montaj.

Aspecte legate de mediul înconjurător

Eliminarea aparatelor electrocasnice

- Simbolul  de pe produs sau de pe ambalaj indică faptul că produsul nu trebuie să fie aruncat împreună cu gunoiul menajer. Produsul trebuie eliminat la un centru specializat în reciclarea componentelor electrice și electronice. Asigurându-vă că ați eliminat în mod corect acest produs, ajutați la evitarea potențialelor consecințe negative pentru mediul înconjurător și pentru sănătatea persoanelor, consecințe care ar putea deriva din aruncarea necorespunzătoare a acestui produs. Pentru informații mai detaliate referitoare la modalitatea de reciclare a acestui produs, adresați-vă autorităților municipale, serviciului local de eliminare a deșeurilor sau magazinului de unde ați achiziționat produsul.

Eliminarea materialelor de ambalare

Materialele cu simbolul  sunt reciclabile. Eliminați materialele de ambalare în containere speciale de colectare pentru reciclare.

Economisirea energiei

Este posibilă economisirea zilnică a energiei în timpul gătitului, urmând recomandările de mai jos.

- Când încălziți apă, utilizați doar cantitatea de apă necesară.
- Dacă este posibil, acoperiți întotdeauna cratițele cu un capac.
- Înainte de a activa zona de gătit, așezați cratița.
- Așezați cratițele mai mici pe zonele de gătit mai mici.
- Așezați cratițele direct în centrul zonei de gătit
- Utilizați căldura reziduală pentru a menține calde alimentele sau pentru a le dezgheța.

Curățare și întreținere

- Nu folosiți niciodată bureți abrazivi, lână de oțel, acid clorhidric sau alte produse care ar putea zgâria sau ar putea lăsa semne pe suprafață.
- Nu consumați eventualele reziduuri de mâncare căzute sau acumulate pe suprafață și pe elementele funcționale sau decorative ale plitei.
- Opriți sau deconectați aparatul de la rețeaua de alimentare înainte de orice operație de curățare sau întreținere.
- Curățați aparatul după fiecare utilizare, pentru a evita carbonizarea eventualelor reziduuri de mâncare. Este foarte dificil să se îndepărteze urmele de murdărie întărite sau arse.
- Pentru a îndepărta murdăria zilnică, folosiți o cârpă moale și un burete cu un detergent corespunzător. Respectați

recomandările producătorului cu privire la detergenții de utilizat. Este recomandată utilizarea detergenților neutri.

- Îndepărtați urmele de murdărie întărite, de exemplu laptele vărsat în timpul fierberii, folosind o racletă pentru suprafețe din vitroceramică, când plita este încă caldă. Respectați recomandările producătorului cu privire la racletele de utilizat.
- Îndepărtați reziduurile de mâncare bogate în zahăr, de exemplu stropi de marmeladă din timpul fierberii, folosind o racletă pentru suprafețe din vitroceramică, când plita este încă caldă. Astfel de reziduuri, dacă nu sunt îndepărtate, ar putea deteriora suprafețele din vitroceramică.
- Îndepărtați eventualele reziduuri din plastic topit cu o racletă

pentru suprafețe din vitroceramică, când plita este încă caldă. Astfel de reziduuri, dacă nu sunt îndepărtate, ar putea deteriora suprafețele din vitroceramică.

- Îndepărtați petele de calcar folosind o cantitate mică de soluție anticalkar, de exemplu oțet sau suc de lămâie, după ce plita s-a răcit. Apoi curățați din nou cu o lavetă umedă.

- Nu tăiați și nu pregătiți alimentele pe suprafață și evitați să scăpați obiecte dure pe aceasta. Nu trageți cratițele sau vasele pe suprafață.
- Nu utilizați aparate de curățat cu abur.

Producător

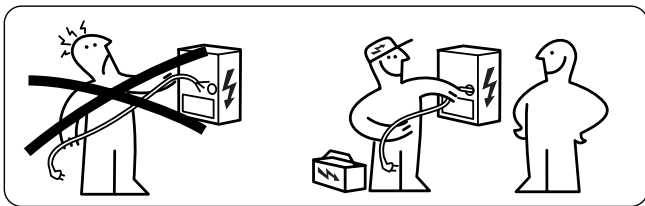
Ikea of Sweden AB - SE - 343 81 Älmhult, Suedia

Conexiune electrică

AVERTISMENT: Toate conexiunile electrice trebuie să fie efectuate de un instalator autorizat.

- Înainte de a efectua legăturile, verificați ca tensiunea nominală a aparatului, indicată pe plăcuța de date a acestuia, să corespundă cu tensiunea de alimentare de la rețea. Plăcuța de date este aplicată în partea inferioară a plitei de gătit.
- Folosiți numai componente originale puse la dispoziție de serviciul piese de schimb.
- Aparatul nu este prevăzut cu cablu de rețea. Achiziționați cablul adecvat, de la un distribuitor autorizat.
- Dacă sunt avariate, înlocuiți cablurile de alimentare cu respectivele cabluri de schimb originale. Contactați call center-ul magazinului dvs. IKEA.

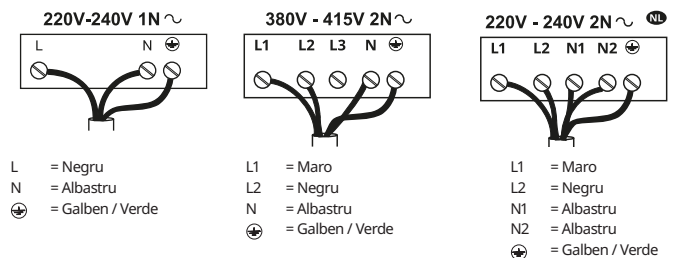
Atenție! Nu efectuați suduri pe cabluri!



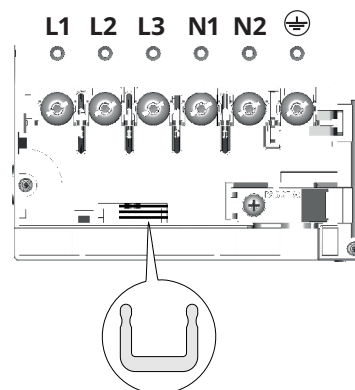
Conexiune electrică


- Respectați schema de cabluri (de pe partea inferioară a produsului).
- Acest aparat prezintă o legătură de tip „Y” și necesită un cablu de alimentare H05VV-F. Pentru cablu este nevoie obligatoriu de manșoane terminale. Conform prevederilor legislației CEI, utilizați pentru legătura monofazată: cablu de alimentare de 3 x 4 mm², pentru legătura bifazată: cablu de alimentare de 4 x 2,5 mm², iar pentru legăturile efectuate în Olanda: cablu de alimentare de 5 x 2,5 mm². Diametrul exterior al cablului de alimentare: min 8 mm - max 12 mm. Vă rugăm să respectați prevederile legislației specifice, în vigoare la nivel național.
- Bornele de conectare sunt accesibile îndepărtând capacul cutiei de conexiuni.
- Asigurați-vă că toate caracteristicile instalației electrice casnice (tensiune, putere maximă și curent) sunt compatibile cu cele ale aparatului.
- Conectați aparatul conform indicațiilor din schemă (în conformitate cu normele de referință pentru tensiunea de rețea în vigoare la nivel național).

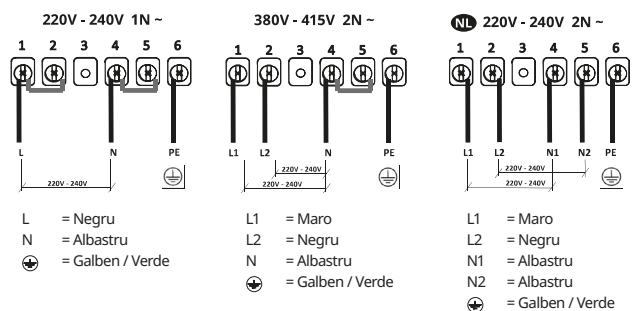
Schemă de legătură pe partea casei



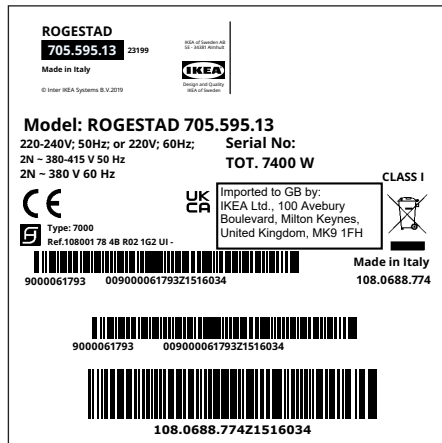
Schemă de legătură pe partea produsului



Introduceți derivatoare de curent  între borne, conform ilustrației



Plăcuța cu specificații



Imaginea de mai sus prezintă plăcuța cu specificații a aparatului. Seria este specifică pentru fiecare produs. Stimat Client, vă rugăm să păstrați plăcuța cu specificații suplimentară aplicată pe coperta Manualului de siguranță furnizat la interiorul produsului.

În acest fel, vom putea să vă ajutăm mai bine, identificând cu precizie plita pe care ați achiziționat-o, în cazul în care veți avea nevoie pe viitor de asistență din partea noastră. Vă mulțumim pentru colaborare!

GARANȚIA IKEA

Ce valabilitate are garanția IKEA?

Această garanție este valabilă pentru cinci (5) ani de la data inițială de achiziție a aparatului de la IKEA. Bonul de casă original este indispensabil ca dovadă a achiziției. O reparație efectuată în garanție nu prelungește perioada de garanție a aparatului.

Cine asigură asistența?

Asistența oferită clienților este asigurată de furnizorul de service desemnat de IKEA prin propria organizație sau prin propria rețea de parteneri de asistență autorizați.

Ce acoperă garanția?

Garanția acoperă eventualele defecte legate de materiale și de construcția aparatului și este valabilă începând de la data achiziției aparatului electrocasnic de la un punct de vânzare IKEA. Garanția este valabilă doar pentru aparatele electrocasnice destinate uzului casnic. Excepțiile sunt descrise în secțiunea „Ce nu acoperă garanția?”. În perioada de valabilitate a garanției, costurile de reparație (piese de schimb, manoperă și transferul personalului tehnic) vor fi suportate de către serviciul de asistență, cu condiția ca accesul la aparat pentru intervenția de reparație să nu implice cheltuieli deosebite. Aceste condiții sunt conforme cu directivele UE (Nr. 99/44/CE) și cu normele și dispozițiile locale aplicabile. Componentele înlocuite vor intra în proprietatea IKEA.

Cum va interveni IKEA pentru a rezolva problema?

Furnizorul serviciului de asistență desemnat de IKEA va examina produsul și va decide, la propria latitudine, dacă acesta este acoperit de garanție. În caz afirmativ, furnizorul serviciului de asistență IKEA sau partenerul de asistență autorizat al acestuia va decide, la propria latitudine, dacă repară produsul defect sau dacă îl înlocuiește cu un produs identic sau echivalent.

Ce nu acoperă garanția?

- Uzura normală.
- Daune provocate în mod deliberat sau din neglijență, daunele cauzate de lipsa respectării instrucțiunilor de funcționare, de o

instalare incorectă sau de conectarea la o tensiune incorectă, daunele provocate de reacții chimice sau electrochimice, rugină, coroziune sau daune cauzate de apă, inclusiv, fără limitare, daunele cauzate de prezența unei cantități excesive de calcar în conductele de apă, precum și daunele cauzate de evenimente atmosferice și naturale.

- Componentele supuse uzurii, de exemplu, baterii și lămpi.
- Componente decorative, fără rol funcțional, care nu influențează utilizarea normală a aparatului electrocasnic, inclusiv zgârieturi și decolorări.
- Daune accidentale provocate de substanțe sau corpuri străine și curățarea sau destuparea filtrelor, a sistemelor de evacuare sau a sertarelor de detergent.
- Daune asupra componentelor vitroceramice, accesorii, coșuri pentru veselă și tacâmuri, conducte de alimentare și evacuare, garnituri, lămpi și capace aferente, protecții, butoane rotative, învelișuri și piese de la învelișuri, cu excepția cazului în care se poate dovedi că aceste daune au fost cauzate de defecte de producție.
- Cazuri în care nu se depistează defecte în timpul vizitei unui tehnician.
- Reparații neefectuate de furnizorul de service desemnat de IKEA sau de un partener de asistență autorizat sau reparații în care s-au folosit piese neoriginale.
- Reparații cauzate de instalarea incorectă sau neconformă cu specificațiile.
- Utilizarea aparatului electrocasnic într-un mediu necasnic, de exemplu, pentru uz profesional.
- Daune cauzate în timpul transportului. În cazul transportului efectuat de client la propria locuință sau la o altă adresă, IKEA nu poate fi trasă la răspundere pentru eventualele daune survenite în timpul transportului. Totuși, dacă transportul la adresa clientului este efectuat de IKEA, eventualele daune survenite în timpul transportului vor face obiectul acestei garanții.
- Costul instalării inițiale a aparatului IKEA. Totuși, dacă un

furnizor de servicii desemnat de IKEA sau un partener de asistență autorizat al acestuia efectuează o reparație sau o înlocuire a aparatului în garanție, furnizorul sau partenerul de asistență autorizat trebuie să asigure și reînălarea aparatului reparat sau instalarea aparatului de schimb, dacă este necesar. Aceste limitări nu se aplică lucrărilor efectuate corect de personal calificat sau folosind piese originale pentru a adapta aparatul la normele de siguranță din altă țară UE.

Aplicabilitatea legilor naționale

Garanția IKEA oferă clientului drepturi legale specifice, pe lângă drepturile prevăzute prin lege, care diferă în funcție de țară. Totuși, aceste condiții nu limitează în niciun fel drepturile consumatorului definite de legislația locală.

Sfera de valabilitate

Pentru aparatele electrocasnice achiziționate într-o țară UE și transferate în altă țară UE, serviciile vor fi furnizate în baza condițiilor de garanție aplicabile în țara în care se află aparatul. Obligația de a furniza serviciul în baza condițiilor de garanție persistă doar dacă aparatul este conform și este instalat în conformitate cu:

- specificațiile tehnice din țara în care se solicită aplicarea garanției;
- informațiile privind siguranța furnizate în Manualul de utilizare.

Serviciul de Asistență post-vânzare dedicat aparatelor electrocasnice IKEA:

Nu ezitați să contactați Serviciul de Asistență post-vânzare IKEA pentru:

1. solicitați asistență beneficiind de garanție;
2. solicitați clarificări referitoare la instalarea aparatelor electrocasnice IKEA în corpurile de bucătărie specifice IKEA. Serviciul nu va furniza asistență sau clarificări referitoare la:
 - instalarea de bucătării complete IKEA;
 - conexiuni electrice (dacă aparatul este furnizat fără cabluri și ștecăre), racordări hidraulice și conexiuni la instalația de gaz care trebuie să fie efectuate de un tehnician de asistență autorizat.
3. solicitați clarificări referitoare la conținutul manualului de utilizare și la specificațiile aparatului electrocasnic IKEA.

Pentru a garanta o asistență superioară, vă rugăm să citiți cu atenție Instrucțiunile de montaj și/sau Manualul de utilizare, înainte de a ne contacta.

Cum să ne contactați dacă aveți nevoie de intervenția noastră



Consultați lista completă de furnizori de servicii IKEA, cu numerele de telefon naționale aferente pe ultima pagină din acest manual.


Important! Pentru a garanta un serviciu mai rapid, vă rugăm să folosiți numerele de telefon prezentate la sfârșitul acestui manual. Când solicitați servicii de asistență, menționați întotdeauna codurile specifice aparatului, care se regăsesc în acest manual. Înainte de a ne contacta, asigurați-vă că aveți la îndemână codul de produs IKEA (8 cifre) aferent aparatului electrocasnic pentru care solicitați asistență.

Important! PĂSTRAȚI BONUL DE CASĂ! Acesta reprezintă dovada de achiziție și trebuie să îl prezentați pentru a putea beneficia de garanție. Pe bon, se menționează și denumirea și codul (din 8 cifre) aparatului electrocasnic IKEA achiziționat.


Aveți în continuare nevoie de ajutor?

Pentru întrebări ulterioare, care nu țin de serviciul de asistență pentru aparate, contactați cel mai apropiat punct de vânzare IKEA. Vă recomandăm să citiți cu atenție documentația aparatului înainte de a ne contacta.

Informacije o sigurnosti

 Radi vlastite sigurnosti i kako biste osigurali ispravan rad uređaja, molimo da pažljivo pročitate ovaj priručnik prije instalacije i stavljanja uređaja u rad. Ove upute uvijek držite zajedno s uređajem, također i ako ga predajete ili prosljeđujete trećim osobama. Važno je da su korisnici upoznati sa svim karakteristikama rada i sigurnosti uređaja.

Ove ploče za kuhanje imaju indukcijske sustave koji su usklađeni sa zahtjevima Direktive o elektromagnetskoj kompatibilnosti i Direktive o elektromagnetskim poljima i ne bi smjele ometati druge elektroničke uređaje. Osobe koje nose srčani elektrostimulator (pejsmejker) ili druge elektroničke uređaje moraju se posavjetovati s liječnikom ili proizvođačem uređaja kako bi procijenili stupanj osjetljivosti na smetnje.

 Električne priključke mora izvesti kompetentni tehničar. Prije električnog priključivanja pročitate odlomak ELEKTRIČNO PRIKLJUČIVANJE.

Za uređaje s kabelom za napajanje, stezaljkama ili presjekom žila između točke sidrenja kabela stezaljke moraju biti oblikovane tako da omogućuju izvlačenje vodiča pod naponom iz kabela uzemljenja ako on izađe iz sidrišta.


- Proizvođač se ne može smatrati odgovornim za eventualne štete koje proizlaze iz neprikladne instalacije ili korištenja uređaja.
- Provjerite da napajanje mreže odgovara napajanju navedenom na identifikacijskog pločici koja se nalazi unutar proizvoda.
- Glavni izolatori moraju biti instalirani u

fiksnom uređaju u skladu s propisima o sustavima ožičenja.


- Za uređaje razreda I provjerite da kućna mreža napajanja raspolaže odgovarajućim uzemljenjem.
- Proizvod pomoću jednopolne sklopke priključite na električnu mrežu.
- Ako je kabel napajanja oštećen, mora ga zamijeniti proizvođač, ovlaštenu servisni centar ili kompetentni tehničar kako bi se izbjegle opasnosti.

 **UPOZORENJE:** Prije postavljanja uređaja uklonite zaštitne folije.

- Upotrebljavajte samo vijke i ostali pribor koji je isporučen s uređajem.

 **UPOZORENJE:** Ako se vijci ili učvršni elementi ne postave u skladu s ovim uputama, mogu uzrokovati opasnost od električnog udara.

- Radove čišćenja i održavanja ne smiju obavljati djeca, osim ako su pod nadzorom odrasle osobe.
- Djecu valja nadzirati kako bi se osiguralo da se ne igraju s uređajem.
- Ovaj uređaj ne smiju upotrebljavati osobe (uključujući djecu) smanjenih psihofizičkih i senzoričkih sposobnosti ili nedovoljna iskustva i znanja, osim ako nisu pod nadzorom i ako ih osoba odgovorna za njihovu sigurnost nije uputila u sigurnu uporabu uređaja.
- Djeca starija od 8 godina i osobe smanjenih psihofizičkih i senzoričkih sposobnosti ili nedovoljna iskustva i znanja smiju upotrebljavati ovaj uređaj samo ako su pod nadzorom i ako ih se pouči o načinu uporabe uređaja na siguran način i opasnostima koje su povezane s time. Ne dopustite da se djeca igraju s uređajem.

 **UPOZORENJE:** Uređaj i njegovi dostupni dijelovi jako se zagrijavaju

tijekom uporabe.

Pazite i nemojte dodirivati otpornike.

Djecu mlađu od 8 godina držite podalje osim ako nisu pod neprestanim nadzorom.

UPOZORENJE: Ako su na površini prisutne pukotine, ugasite uređaj kako biste spriječili električni udar.

- Uređaj nemojte uključivati ako je površina napuknuta ili ako na materijalu postoje vidljiva oštećenja.
- Uređaj nemojte dodirivati rukama niti mokrim dijelovima tijela.
- Proizvod nemojte čistiti parnim čistačima.
- Na površinu ploče za kuhanje nemojte odlagati metalne predmete kao što su noževi, vilice, žlice i poklopci jer se mogu jako zagrijati.
- Nakon uporabe odgovarajućom komandom isključite ploču za kuhanje. Nemojte se pouzdati u senzore lonaca.

UPOZORENJE: Ako upotrebljavate ulje ili masnoću, opasno je ostaviti ploču za kuhanje bez nadzora jer bi mogla nastati opasna situacija i izbiti požar. Vatru NIKADA nemojte pokušavati ugasiti vodom, nego ugasite uređaj pa plamen ugasite primjerice poklopcem ili vatrogasnom dekom.

POZOR: Kuhanje valja obavljati pod nadzorom. Kratko kuhanje mora biti pod neprestanim nadzorom.

- Uređaj nije namijenjen za uključivanje pomoću vanjskog brojača vremena niti pomoću zasebnog sustava za daljinsko upravljanje.

UPOZORENJE: Opasnost od požara: Ne odlažite predmete na površine za kuhanje.

- Uređaj valja postaviti tako da ga je moguće isključiti iz električnog napajanja s udaljenošću između otvora

kontakata (3 mm) koja će osigurati potpuno isključenje u uvjetima prenapona III. kategorije.

- Uređaj se nikada ne smije izlagati vremenskim utjecajima (kiša, sunce).
- Ambalažu držite podalje od djece i kućnih ljubimaca.
- Pobrinite se da je uređaj priključen izravno na električnu mrežu.
- Za priključivanje uređaja nemojte upotrebljavati adaptere, višestruke utičnice niti produžne kabele.
- Uređaj nipošto nemojte upotrebljavati u svrhe različite od onih za koje je projektiran.
- Friteze je potrebno stalno nadzirati tijekom uporabe: zagrijano ulje može se zapaliti.
- Uređaj nemojte pokretati vanjskim brojačem vremena niti zasebnim sustavom za daljinsko upravljanje.
- Uređaj se nikada ne smije postavljati iza ukrasnih vrata kako bi se izbjeglo pregrijanje.
- Nikada nemojte stajati na uređaju jer bi se mogao oštetiti.
- Lonce i posude nemojte oslanjati na rub jer bi mogli oštetiti silikonske spojeve.

Ugradnja

Tijekom ugradnje valja se pridržavati zakona, propisa, direktiva i normi (odredaba za sigurnost električnih uređaja, ispravno zbrinjavanje komponenata itd.) koje vrijede u zemlji uporabe!


- Za detaljne informacije o ugradnji proučite upute za montažu.
- Između uređaja i radne površine nemojte upotrebljavati silikonsko brtvilo.
- Provjerite da je prostor oko ploče za kuhanje dovoljno velik za cirkuliranje zraka. Proučite upute za montažu.
- Dno uređaja može se jako zagrijati. Ako se uređaj postavlja iznad ormarića, pobrinite se da ispod uređaja postavite nezapaljivu pregradnu ploču kako biste spriječili pristup dnu uređaja. Proučite upute za montažu.
- Ventilacija uređaja mora biti u skladu s proizvođačevim uputama.
- U kuhinjskom bloku napravite prednji otvor minimalne veličine 28 cm² u koji mora stati ploča za kuhanje kako bi se omogućio ispravan dovod zraka proizvodu.

Zahtjevi za kuhinjski blok


- Ako se uređaj montira na zapaljive materijale, valja se strogo pridržavati smjernica i normi koje se odnose na ugradnju niskonaponskih instalacija i zaštite od požara.
- Za ugradbene jedinice komponente (od plastike i furniranog drva) valja montirati pomoću ljepila otpornih na toplinu (min. 85 °C): uporaba neodgovarajućih materijala i ljepila može uzrokovati deformaciju i odvajanje komponenti.
- Ako se poštuju minimalne udaljenosti navedene na crtežima za ugradnju, dopuštena je uporaba profila od masivnog drva oko radne ploče iza uređaja.
- Ako se ispod ploče za kuhanje ne nalazi pećnica, ispod uređaja postavite pregradnu ploču kako je prikazano na crtežima u uputama za montažu.

Utjecaj na okoliš

Zbrinjavanje električnih kućanskih aparata

- Simbol  na proizvodu ili na njegovu pakiranju označava da se proizvod ne smije zbrinjivati zajedno s uobičajenim kućnim otpadom. Proizvod se mora zbrinuti u specijaliziranom centru za reciklažu električne i elektroničke opreme. Brigom za pravilno zbrinjavanje proizvoda pridonosite sprječavanju potencijalnih negativnih posljedica po okoliš i zdravlje koje bi inače mogle proizići iz neodgovarajućeg zbrinjavanja. Za detaljnije informacije o uporabi ovoga proizvoda obratite se nadležnim tijelima u općini, lokalnoj službi za gospodarenje otpadom ili trgovini u kojoj ste kupili proizvod.

Zbrinjavanje ambalažnog materijala

Materijali sa simbolom  mogu se reciklirati. Ambalažni materijal zbrinite u odgovarajuće kontejnere za prikupljanje.

Energetska ušteda

Ako se pridržavate savjeta u nastavku, možete svakodnevno štedjeti energiju tijekom kuhanja.

- Kada zagrijavate vodu, upotrebljavajte samo količinu koja vam je potrebna.
- Ako je moguće, lonce uvijek pokrijte poklopcem.
- Prije nego što uključite zonu za kuhanje, postavite lonac.
- Manje lonce postavite na manje zone za kuhanje.
- Lonce postavite točno na sredinu zone za kuhanje.
- Upotrijebite preostalu toplinu kako biste hranu održali toplom ili kako biste je odledili.

Čišćenje i održavanje

- Nikada nemojte upotrebljavati abrazivne spužvice, željeznu vunu, solnu kiselinu ni druge proizvode koji bi mogli izgubiti površinu ili ostaviti tragove na njoj.
- Nemojte konzumirati ostatke hrane koji su možda pali na površinu i funkcionalne ili ukrasne elemente ploče za kuhanje niti koji su se nakupili na njoj.
- Isključite ili prekinite napajanje uređaja prije bilo kakve radnje čišćenja ili održavanja.
- Uređaj čistite nakon svake uporabe kako biste spriječili da se mogući ostatci hrane karboniziraju. Mnogo je teže ukloniti stvrdnute ili zagorjele ostatke prljavštine.
- Kako biste uklonili svakodnevnu prljavštinu, upotrijebite mekanu krpu ili spužvicu s odgovarajućim deterdžentom.

Pridržavajte se proizvođačevih preporuka za deterdžente.

Preporučuje se uporaba neutralnih deterdženata.

- Stvrdnute ostatke prljavštine, primjerice mlijeko koje je iskipjelo, uklonite strugačem za staklokeramičke ploče dok je ploča za kuhanje još topla. Pridržavajte se proizvođačevih preporuka za strugač.
- Ostatke hrane bogate šećerom, primjerice tragove od kuhanja džema, uklonite strugačem za staklokeramičke ploče dok je ploča za kuhanje još topla. Ako se takvi ostatci ne uklone, mogli bi oštetiti staklokeramičku ploču.
- Moguće ostatke rastopljene plastike uklonite strugačem za staklokeramičke ploče dok je ploča za kuhanje još topla. Ako se takvi ostatci ne uklone, mogli bi oštetiti staklokeramičku

ploču.

- Mrlje od kamenca uklonite malom količinom sredstva za uklanjanje kamenca, npr. octom ili limunovim sokom, i to kada se ploča za kuhanje ohladi. Zatim obrišite vlažnom krpom.

- Na površini nemojte rezati niti pripremati hranu. Pazite da na površinu ne padnu tvrdi predmeti. Po površini nemojte povlačiti lonce niti posude.
- Nemojte upotrebljavati parne čistače.

Proizvođač

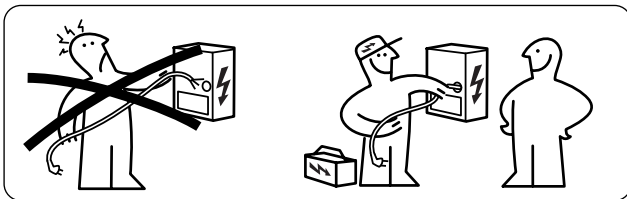
Ikea of Sweden AB - SE - 343 81 Älmhult, Švedska

Električno priključivanje

⚠ UPOZORENJE: Sve električne priključke mora izvesti ovlašteni električar.

- Prije spajanja provjerite odgovara li nazivni napon uređaja naveden na pločici s podacima naponu mrežnog napajanja. Identifikacijska pločica nalazi se na donjoj strani ploče za kuhanje.
- Koristite samo originalne komponente isporučene od servisa za rezervne dijelove.
- Uređaj nije opremljen mrežnim kabelom. Kupite pravi od specijaliziranog prodavača.
- Ako su oštećeni, zamijenite kabele za napajanje njihovim izvornim zamjenskim kabelima.
- Obratite se call centru vaše IKEA trgovine.

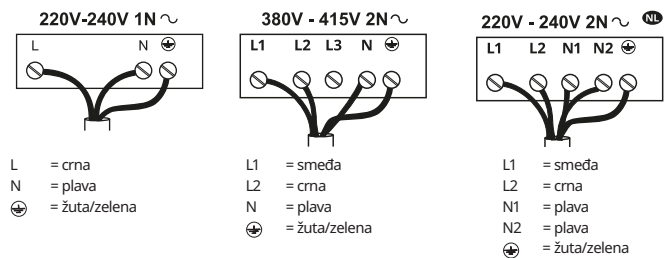
⚠ Pozor! Nemojte zavarivati kabele!



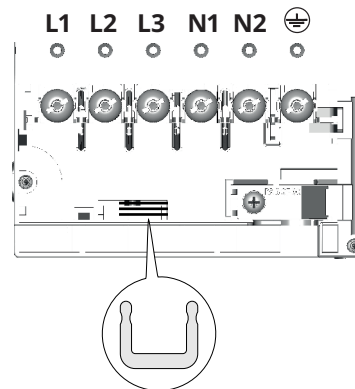
Električno priključivanje

- Pridržavajte se sheme spajanja (nalazi se na donjoj strani proizvoda).
- Ova jedinica ima priključak tipa "Y" i zahtijeva napojni kabel H05VV-F. Kabel zahtijeva obvezne završne čahure. Prema standardu IEC, za jednofazno spajanje upotrijebite: kabel za napajanje od 3 x 4 mm², za dvofazni priključak: kabel za napajanje od 4 x 2,5 mm² i za priključak u Nizozemskoj: kabel za napajanje 5 x 2,5 mm². Vanjski promjer kabela za napajanje: min 8 mm - maks 12 mm. Molimo vas da poštuju posebne nacionalne propise.
- Priključnim stezaljkama može se pristupiti ako se ukloni poklopac razvodne kutije.
- Provjerite jesu li karakteristike kućnog električnog sustava (napon, maksimalna snaga i struja) kompatibilne s karakteristikama uređaja.
- Uređaj priključite kako je prikazano na shemi (u skladu s relevantnim nacionalnim normama za napon mreže).

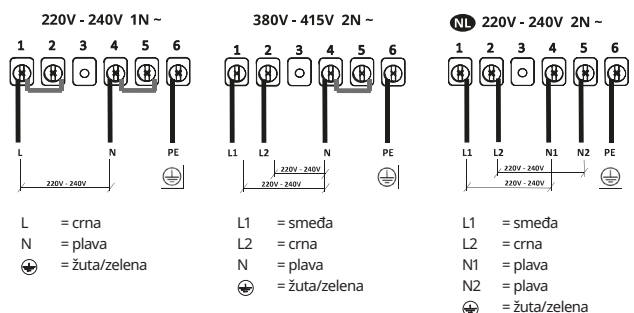
Dijagram bočne veze kućišta



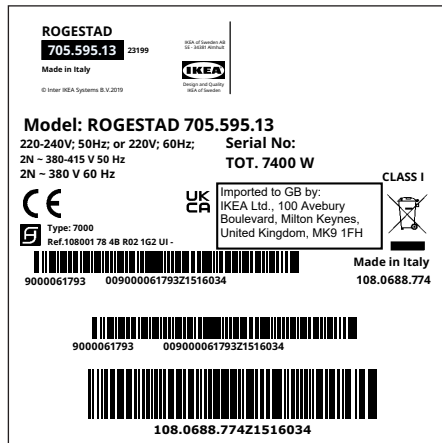
Dijagram povezivanja na strani proizvoda



Skretnice postavite između priključnica kako je prikazano na slici.



Identifikacijska pločica



Na prethodnoj slici prikazana je identifikacijska pločica uređaja. Serijski broj jedinstven je za svaki proizvod. Dragi kupče, molimo vas da sačuvate dodatnu identifikacijsku pločicu koja se nalazi na naslovnici Sigurnosnih uputa koje se nalaze unutar proizvoda.

Ako vam ubuduće bude potrebna naša pomoć, na taj ćemo vam način moći bolje pomoći tako da precizno identificiramo ploču za kuhanje koju ste kupili. Hvala vam na suradnji!

JAMSTVO IKEA

Koliko dugo vrijedi garancija IKEA?

Ova garancija vrijedi pet (5) godina od originalnog datuma kupnje uređaja u IKEA trgovini. Originalni račun je neophodan kao dokaz o kupnji. Jedan popravak obavljen u okviru garancije ne produljuje razdoblje trajanja garancije za uređaj.

Tko pruža servis?

Servis za klijente bit će osiguran od strane pružatelja usluge kojeg imenuje IKEA putem vlastite organizacije ili vlastite partnerske mreže ovlaštenih servisa.

Što pokriva garancija?

Garancija pokriva eventualne nedostatke povezane s materijalom ili konstrukcijom kućanskog uređaja i vrijedi počevši od datuma kupnje uređaja na prodajnom mjestu IKEA. Garancija vrijedi samo ako su kućanski uređaji namijenjeni kućanskoj uporabi. Izuzeci su opisani u dijelu "Što ne pokriva garancija?". U razdoblju valjanosti garancije, troškove popravka (zamjenski dijelovi, radna snaga i dolasci tehničkog, servisnog osoblja) snosit će servisna služba, osim u slučaju da pristup uređaju koji se treba servisirati ne iziskuje posebne troškove. Ovi uvjeti su u skladu s direktivama EU (N. 99/44/CE) i lokalnim normama i propisima. Zamijenjeni dijelovi postaju vlasništvo tvrtke IKEA.

Kako će intervenirati IKEA u rješavanju problema?

Pružatelj usluga angažiran od strane tvrtke IKEA pregledat će proizvod i utvrditi, isključivo prema vlastitom nahođenju, ulazi li među slučajeve pokrivena garancijom. U slučaju da ulazi, pružatelj usluge tvrtke IKEA ili njegov ovlašten partner pobrinut će se isključivo po vlastitom nahođenju da popravi manjkavi proizvod ili ga zamijeni istim ili sličnim proizvodom.

Što ne pokriva garancija?

- Uobičajeno trošenje kao posljedicu korištenja.
- Štete izazvane namjerno ili nastale zbog nebrige, nepoštivanja uputa o radu, nepravilne instalacije ili spajanja na pogrešan

- napon, štete izazvane kemijskim ili elektrokemijskim reakcijama, hrđom, korozijom ili štete uzrokovane vodom, uključujući, ali ne ograničavajući se na, štete uzrokovane prisutnošću prevelike količine kamenca u vodnim cijevima i štete uzrokovane vremenskim i prirodnim katastrofama.
- Dijelovi izloženi trošenju, na primjer baterije i žarulje.
- Ukrasni i nefunkcionalni dijelovi koji ne utječu na normalno korištenje kućanskog uređaja, uključujući ogrebotine i promjene boje.
- Slučajne štete uzrokovane stranim tvarima i tijelima i čišćenje ili oslobađanje filtera, ispušnih sustava ili pregrada s deterđentom.
- Štete na dijelovima kao što su staklokeramika, dodaci, košare za posuđe i pribor, cijevi za dovod i ispuš, brtve, lampice i odgovarajući pokrovi, zaslone, ručke, presvlake i dijelovi presvlake, osim u slučaju da se može dokazati da su takve štete bile uzrokovane nedostacima u proizvodnji.
- Slučajevi u kojima nisu otkriveni kvarovi tijekom posjeta servisera.
- Popravci koje nije izvršio pružatelj usluge kojeg je imenovala IKEA ili ovlašten partner ili popravci kod kojih su korišteni neoriginalni rezervni dijelovi.
- Popravci uzrokovani neprikladnom instalacijom ili instalacijom koja nije u skladu s uputama.
- Uporaba kućanskog proizvoda u nekućanskom ambijentu, na primjer za profesionalnu uporabu.
- Štete uzrokovane transportom. U slučaju da je transport obavio klijent na vlastitu adresu ili neku drugu adresu, IKEA se ne može smatrati odgovornom za eventualne štete nastale tijekom transporta. Ipak, u slučaju da je transport na adresu klijenta obavila IKEA, eventualne štete uzrokovane transportom ulaze u postojeću garanciju.
- Trošak početne instalacije uređaja IKEA. Ipak, ako pružatelj usluga servisiranja kojeg je imenovala IKEA ili njegov ovlašten partner obave popravak ili zamjenu uređaja u okviru garancije,

pružatelj usluge ili ovlašteni partner mora se pobrinuti i za reinstalaciju popravljenog uređaja ili za instalaciju zamjenskog uređaja, ako je potrebno.

Takva ograničenja ne odnose ne na regularne radnje obavljene od strane kvalificiranog osoblja i uz korištenje originalnih dijelova za prilagodbu uređaja sigurnosnim odredbama neke druge države EU.

Primjenjivost nacionalnih zakona

Garancija IKEA daje klijentu specifična zakonska prava uz prava predviđena zakonom, koja variraju ovisno o državi. Ipak, takvi uvjeti ne ograničavaju ni na koji način prava potrošača opisana u lokalnim zakonima.

Područje valjanosti

Za kućanske uređaje kupljene u jednoj od država članica EU i prenesenih na drugu državu EU, usluge servisiranja pružat će se na temelju uvjeta garancije koji vrijede u novoj državi. Obveza pružanja usluge servisiranja na temelju uvjeta garancije postoji samo ako je uređaj kompatibilan i instaliran u skladu s:

- tehničkim specifikacijama države u kojoj je tražena primjena garancije;
- informacijama u vezi sigurnosti sadržanim u priručniku za korištenje.

Postprodajna korisnička služba za kućanske uređaje IKEA:

Ne oklijevajte kontaktirati postprodajnu korisničku službu IKEA:

1. da zatražite pomoć na koju imate pravo prema garanciji;
2. da zatražite objašnjenja u vezi instalacije IKEA kućanskih uređaja u ugradbene kuhinjske elemente IKEA. Korisnička služba neće pružiti pomoć ili objašnjenja vezana uz:
 - instalaciju kompletne kuhinje IKEA;
 - električna spajanja (ako je uređaj dostavljen bez kabela i utikača), hidraulička spajanja i spajanja na plinski uređaj, koja mora obaviti ovlašteni serviser.
3. traženje objašnjenja o sadržaju priručnika za korištenje ili specifikacijama kućanskog uređaja IKEA.

Kako bismo vam što bolje pomogli, molimo vas da pažljivo pročitate Upute za montažu i/ili Priručnik za korištenje prije nego nas kontaktirate.

Kako nas kontaktirati ako trebate našu intervenciju



Proučite kompletni popis pružatelja usluge IKEA s odgovarajućim telefonskim brojevima na zadnjoj stranici ovog priručnika.


Važno! Kako bismo osigurali brzu uslugu, preporučujemo korištenje telefonskih brojeva navedenih na kraju ovog priručnika. Kad zatražite pomoć, uvijek se referirajte na specifične kodove uređaja koji se nalaze u ovom priručniku. Prije nego nas kontaktirate, pobrinite se da imate kod sebe kod proizvoda IKEA (8 brojki) koji se odnosi na kućanski uređaj za koji se traži pomoć.


Važno! SAČUVAJTE RAČUN! On je dokaz o kupnji i potrebno ga je pokazati kako bi se mogla iskoristiti garancija. Na računu su navedeni i naziv i kôd (od 8 brojki) svakog kućanskog uređaja IKEA koji ste kupili.

Trebate dodatnu pomoć?

Za daljnja pitanja koja se ne tiču pomoći u vezi kućanskih uređaja, kontaktirajte najbliže prodajno mjesto IKEA. Molimo vas da pažljivo pročitate dokumentaciju uređaja prije nego nas kontaktirate.

Varnostne informacije

 Zaradi lastne varnosti in za pravilno delovanje naprave priporočamo, da pred namestitvijo in uporabo pozorno preberete ta navodila. Shranjujte jih skupaj z napravo, tudi če jo izročite ali predate tretji osebi. Pomembno je, da uporabniki poznajo vse značilnosti delovanja in varnosti naprave. Te kuhalne plošče so opremljene z indukcijskimi sistemi, ki izpolnjujejo zahteve direktiv EMC in EMF, in naj ne bi ovirale drugih elektronskih naprav. Osebe s srčnimi spodbujevalniki ali drugimi elektronskimi vsadki se morajo posvetovati s svojim osebnim zdravnikom ali izdelovalcem in preveriti, ali se lahko pri njihovem vsadku pojavijo motnje.

 Aparat lahko na električno omrežje priključi usposobljeno tehnično osebje. Pred priključitvijo na električno omrežje preberite vsebino razdelka **PRIKLJUČITEV NA ELEKTRIČNO OMREŽJE**.


Pri napravah z napajalnim kablom morajo biti spojke ali del žic med priključno točko kabla in spojkami razporejeni tako, da omogočajo odstranitev vodnika pod napetostjo pred ozemljitvenim kablom v primeru, da se sname s svoje priključitve.

- Proizvajalec ne prevzema odgovornosti za morebitno škodo zaradi nepravilne namestitve ali uporabe.
- Prepričajte se, da napajalno omrežje ustreza vrednosti, ki je navedena na podatkovni ploščici v notranjosti izdelka.
- Naprave za porazdelitev energije morajo biti povezane z nameščeno napravo v skladu s predpisi o kablskih napeljavah.
- Pri napravah razreda I preverite, ali ima napajalno omrežje v hiši ustrezno ozemljitev.
- Izdelek priklopite na električno omrežje z večpolarnim stikalom.
- Če je napajalni kabel poškodovan, ga


mora zamenjati izdelovalec, pooblaščen služba za tehnično podporo ali usposobljen serviser. Tako boste preprečili kakršna koli tveganja ali nevarne situacije.

 **OPOZORILO:** Preden namestite napravo, odstranite vso zaščitno folijo.

- Uporabite izključno vijake in ostale drobne dele, ki so bili dobavljeni z napravo.

 **OPOZORILO:** Če vijakov ali pritrdilnih elementov ne namestite v skladu z opisom v teh navodilih, lahko pride do električnega udara.

- Otroci ne smejo čistiti in vzdrževati naprave, razen če so pod nadzorom odrasle osebe.
- Ne dovolite, da se otroci igrajo z napravo.
- Naprave ne smejo uporabljati osebe (vključno z otroki) z zmanjšanimi psihičnimi, fizičnimi ali zaznavnimi sposobnostmi ali nezadostnimi izkušnjami in znanjem, razen če jih glede varne uporabe naprave ne vodi in pozorno nadzoruje oseba, ki je odgovorna za njihovo varnost.
- Otroci, mlajši od 8 let, in osebe z zmanjšanimi psihičnimi, fizičnimi ali zaznavnimi sposobnostmi ali nezadostnimi izkušnjami in znanjem smejo uporabljati napravo le, če so pod nadzorom odgovornih oseb in če so bili poučeni glede varne uporabe naprave in z njo povezanih tveganj. Ne dovolite otrokom, da se igrajo z napravo.

 **OPOZORILO:** Naprava in njeni dostopni deli se med uporabo zelo segrejejo.

V nobenem primeru se ne dotikajte uporov.

Otroci, mlajši od 8 let, se ne smejo zadrževati v bližini naprave, razen če niso pod stalnim nadzorom.

OPOZORILO: Če so na kuhalni plošči prisotne razpoke, izklopite napravo, da preprečite nevarnost električnega udara.

- Naprave ne vklopite, če je kuhalna plošča

poškodovana ali so vidne poškodbe v debelini materiala.

- Naprave se ne dotikajte z mokrimi dlanmi ali drugim delom telesa.
- Za čiščenje izdelka ne uporabljajte parnih naprav.
- Na kuhhalno ploščo ne odlagajte kovinskih predmetov, kot so noži, vilice, žlice in pokrovke, saj se lahko segrejejo.
- Kuhhalno ploščo po uporabi izklopite z ustrezno tipko in se ne zanašajte na senzorje za lonce.

OPOZORILO: Pri uporabi olj in maščob je treba kuhhalno ploščo vedno nadzorovati, da preprečite nevarne situacije ali požar. Plamenov ne poskušajte NIKOLI pogasiti z vodo, temveč napravo izklopite in plamene zadušite s pokrovko ali protipožarno odejo.

POZOR: Postopek kuhanja je treba nadzirati. Kratkotrajne postopke kuhanja je treba stalno nadzirati.

- Naprava ni zasnovana za delovanje z zunanjim časovnikom ali ločenim sistemom za upravljanje na daljavo.

OPOZORILO: Nevarnost požara: na kuhhalno ploščo ne odlagajte predmetov.

- Napravo je treba namestiti tako, da jo je mogoče odklopiti z električnega napajanja s 3-milimetrsko odprtino med spoji, ki omogoča popoln odklop v pogojih previsoke napetosti III. kategorije.
- Naprava ne sme biti nikoli izpostavljena vremenskim vplivom (dež, sonce).
- Embalaža naj bo vedno zunaj dosega otrok ali domačih živali.
- Prepričajte se, da je naprava priklopljena neposredno v električno vtičnico.
- Za priklop naprave ne uporabite adapterjev, razdelilnikov z več vtičnicami ali podaljškov.
- Naprave nikoli ne uporabite za drugačne namene od predvidenih.
- Fritezo med uporabo neprestano nadzirajte, saj se preveč razgreto olje

lahko vname.

- Naprave ne vklopite z zunanjim časovnikom ali ločenim sistemom za upravljanje na daljavo.
- Naprava ne sme biti nameščena za okrasnimi vrati, saj bi se lahko pregrela.
- Ne stopite na napravo, saj jo lahko poškodujete.
- Na rob ne odlagajte loncev ali ponev, saj se lahko silikonski spoji poškodujejo.

Namestitev

Pri postopku namestitve je obvezno treba upoštevati zakone, odloke, direktive in predpise (pravilniki za varnost električnih napeljav, pravilno reciklažo sestavnih delov itd.), ki veljajo v državi uporabe.


- Za več informacij o namestitvi glejte navodila za montažo.
- Med napravo in delovno površino ne nanašajte silikonskega tesnila.
- Prepričajte se, da je pod kuhalno ploščo dovolj prostora za kroženje zraka. Glejte navodila za montažo.
- Dno naprave se lahko zelo segreje. Če napravo namestite nad predali, pod njo namestite ločilno ploščo s toplotno zaščito, da preprečite dostop do dna. Glejte navodila za montažo.
- Prezračevanje naprave mora ustrezati navodilom izdelovalca.
- Zagotovite sprednjo odprtino velikosti vsaj 28 cm² v kuhinjski enoti, kjer boste namestili kuhalno ploščo. Odprtina bo omogočila pravilno prezračevanje izdelka.

Zahteve za kuhinjsko enoto


- Če je naprava nameščena na gorljivih materialih, je treba strogo upoštevati smernice in predpise glede nizkonapetostne napeljave in predpise glede protipožarne zaščite.
- Pri vgradni enoti morajo biti sestavni deli (iz plastičnega materiala in lesnega furnirja) nameščeni z lepilom, odpornim proti toploti (najm. 85 °C): uporaba neustreznih materialov in lepilnih sredstev lahko povzroči deformacijo in snetje sestavnih delov.
- Dovoljena je uporaba profilov iz trdega lesa okoli delovne površine za napravo, če so najmanjše razdalje vedno skladne z navodili, podanimi v načrtih za namestitev.
- Če pod kuhalno ploščo ni pečice, pod napravo namestite ločilno ploščo, kot je prikazano v navodilih za montažo.

Varovanje okolja

Odstranjevanje gospodinjskih aparatov

- Simbol  na izdelku ali embalaži označuje, da se izdelek ne sme odlagati med običajne gospodinjske odpadke. Odsluženi izdelek oddajte v specializirani zbirni center za recikliranje električnih in elektronskih komponent. Z zagotovitvijo pravilne odstranitve tega izdelka pripomorete k preprečevanju možnih neželenih posledic, ki bi jih neprimerno odlaganje imelo za okolje in zdravje ljudi. Za podrobnejše informacije o recikliranju tega izdelka se obrnite na lokalne organe, lokalno službo za odstranjevanje odpadkov ali trgovino, kjer ste kupili izdelek.

Odstranjevanje embalaže

Materiale s simbolom  je mogoče reciklirati. Embalažne materiale odstranite v ustrezne zbirne kontejnerje za reciklažo.

Varčevanje z energijo

Med kuhanjem lahko dnevno prihranite energijo z upoštevanjem spodnjih priporočil.

- Kadar segrevate vodo, uporabite samo potrebno količino vode.
- Po možnosti lonce vedno pokrijte s pokrovko.
- Preden vklopite kuhalno mesto, nanj postavite lonec.
- Na manjša kuhalna mesta postavite manjše lonce.
- Lonce postavite neposredno na sredino kuhalnega mesta.
- Uporabite odpadno toploto, da ohranite živila topla ali da jih stopite.

Čiščenje in vzdrževanje

- Nikoli ne uporabite abrazivnih gob, jeklene volne, klorovodikove kisline ali drugih izdelkov, ki bi lahko kuhalno ploščo poškodovali ali na njej pustili sledi.
- Ne zaužijte morebitnih ostankov hrane, ki so padli s plošče in delovnih oziroma okrasnih elementov kuhalne plošče ali so se na njih nabrali.
- Pred čiščenjem ali vzdrževanjem napravo vedno ugasnite ali izključite iz napajalnega omrežja.
- Napravo očistite po vsaki uporabi. Tako boste preprečili, da bi se morebitni ostanki hrane zažgali. Veliko težje je odstraniti sledi strjene ali zažgane umazanije.
- Za odstranjevanje umazanije uporabite mehko krpo ali gobico s primernim čistilnim sredstvom. Upoštevajte

priporočila izdelovalca glede ustreznih čistilnih sredstev. Priporočamo uporabo nevtralnih čistilnih sredstev.

- Odstranite sledi strjene umazanije, na primer prevreto mleko, s strgalom za steklokeramične površine, ko je kuhalna plošča še topla. Upoštevajte priporočila izdelovalca glede ustreznih strgal.
- Odstranite ostanke živil z visoko vsebnostjo sladkorja, na primer marmelado, ki se je prelila med kuhanjem, s strgalom za steklokeramične površine, ko je kuhalna plošča še topla. Če teh ostankov ne odstranite, se lahko steklokeramična površina poškoduje.
- Odstranite morebitne ostanke stopljene plastike s strgalom, primernim za steklokeramične površine, ko je kuhalna

plošča še topla. Če teh ostankov ne odstranite, se lahko steklokeramična površina poškoduje.

- Ko se kuhalna plošča ohladi, odstranite madeže vodnega kamna z majhno količino raztopine za odstranjevanje vodnega kamna, npr. raztopine kisa ali limoninega soka. Nato znova očistite z mokro krpo.

- Živil ne režite ali jih ne pripravljajte na kuhalni plošči in pazite, da nanjo ne padejo trdi predmeti. Ne vlecite loncev ali posod po površini.
- Ne uporabljajte parnih čistilnih naprav.

Proizvajalec

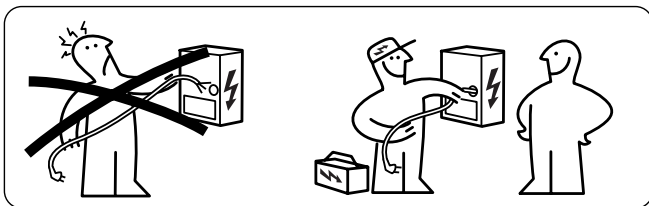
Ikea of Sweden AB - SE - 343 81 Älmhult, Švedska

Priključitev na električno omrežje

⚠ OPOZORILO: Priključitev na električno omrežje mora v celoti izvesti usposobljeno tehnično oseboje.

- Pred priključitvijo preverite, ali nazivna napetost naprave, navedena na tipski ploščici, ustreza napetosti omrežnega napajanja. Podatkovna ploščica je nameščena na spodnji strani kuhalne plošče.
- Uporabljajte samo originalne komponente, ki jih dobavi servis nadomestnih delov.
- Naprava ni opremljena z omrežnim kablom. Kupite pravega samo od specializiranega prodajalca.
- Če so poškodovani, zamenjajte napajalne kable z njihovimi originalnimi nadomestnimi kable. Obrnite se na klicni center vaše trgovine IKEA.

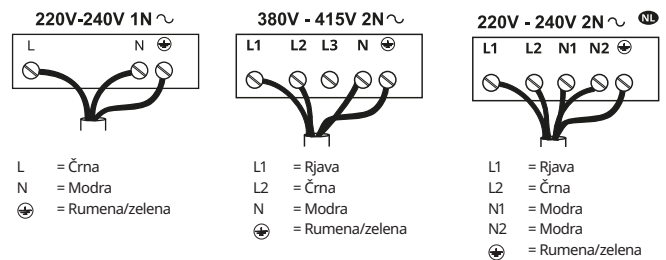
⚠ Pozor! Kablov ne varite!



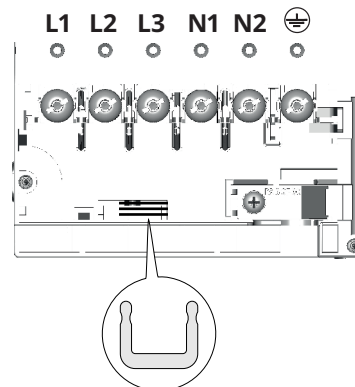
Priključitev na električno omrežje


- Upoštevajte shemo povezav (na spodnji strani izdelka).
- Ta enota ima povezavo vrste "Y" in potrebuje napajalni kabel H05VV-F. Kabel zahteva obvezne končne rokavnike. V skladu s standardom IEC uporabite za enofazno povezavo: 3 x 4 mm² napajalni kabel, za dvofazno povezavo: 4 x 2,5 mm² napajalni kabel in za povezavo na Nizozemskem: 5 x 2,5 mm² napajalni kabel. Zunanji premer napajalnega kablja: najmanj 8 mm - največ 12 mm. Upoštevajte posebne nacionalne predpise.
- Priključne spojke so dostopne tako, da odstranite pokrov priključne omarice.
- Preverite, ali so lastnosti gospodinjstvskega električnega omrežja (napetost, največja moč in tok) združljive z lastnostmi naprave.
- Napravo priključite kot je prikazano na shemi (v skladu z referenčnimi predpisi za omrežno napetost, ki so veljavni na nacionalni ravni).

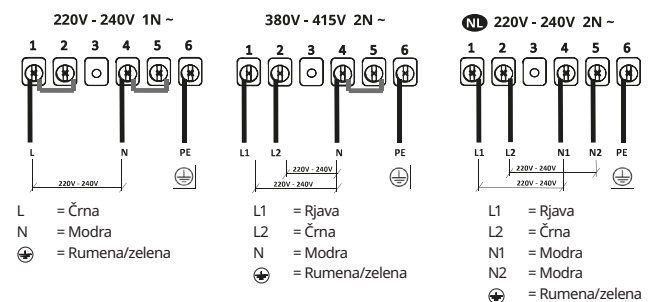
Shema hišne povezave



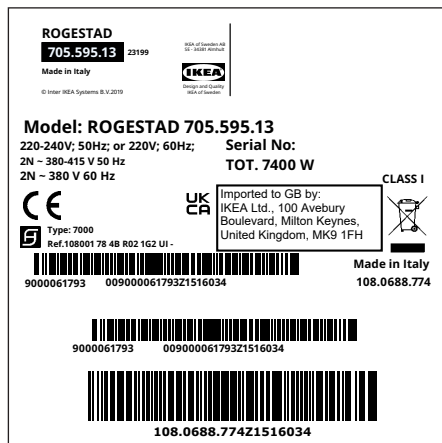
Shema povezave izdelka



Med spojke vstavite tokovne derivatorje , kot je prikazano na sliki



Podatkovna ploščica



Zgoraj prikazana slika predstavlja podatkovno ploščico naprave. Serijska številka je specifična za vsak izdelek posebej. Spoštovana stranka! Prosimo vas, da shranite dodatno podatkovno ploščico, ki je priložena na naslovnici varnostnega priročnika, dobavljenega z izdelkom.

Tako vam bomo lahko boljše pomagali pri točni določitvi kuhalne plošče, ki ste jo kupili, če boste morda potrebovali našo pomoč. Hvala za vaše sodelovanje.

GARANCIJA IKEA

Koliko časa velja garancija IKEA?

Ta garancija velja pet (5) let od prvotnega datuma nakupa naprave na prodajni točki IKEA. Kot potrdilo nakupa je obvezen originalni račun. Popravilo v okviru garancije ne podaljša obdobja garancije za napravo.

Kdo zagotavlja pomoč strankam?

Pomoč strankam zagotavlja izvajalec servisnih storitev, ki ga imenuje IKEA, in sicer preko lastne organizacije ali preko mreže pooblaščenih servisnih partnerjev.

Kaj pokriva garancija?

Garancija pokriva morebitne napake, ki so povezane z materiali ali konstrukcijo električnega gospodinjanskega aparata, in velja od datuma nakupa električnega gospodinjanskega aparata na prodajni točki IKEA. Garancija velja samo za električne gospodinjanske aparate, ki so namenjeni domači uporabi. Izjeme so opisane v rubriki »Česa ne pokriva garancija?«. V obdobju veljavnosti garancije stroške popravila (nadomestili deli, posegi in prevozi tehničnega osebja) krije služba za tehnično podporo, razen če dostop do naprave za namene popravila ne vključuje posebnih stroškov. Ti pogoji so skladni z direktivami EU (št. 99/44/ES) in z veljavnimi lokalnimi predpisi ter določili. Zamenjani deli postanejo last podjetja IKEA.

Kako bo ukrepala IKEA, da reši težavo?

Izvajalec servisnih storitev, ki ga določi IKEA, bo izdelek pregledal in izključno po lastni presoji odločil, ali njegovo popravilo pokriva garancija. V primeru potrditve izvajalec servisnih storitev IKEA ali njegov pooblaščen servisni partner prek svojih servisnih služb in po lastni presoji poskrbi, da se izdelek z napako popravi ali zamenja z enakim ali ustreznim izdelkom.

Česa garancija ne pokriva?

- Običajne obrabe.
- Namerno povzročena škoda ali škoda, ki je nastala zaradi malomarnosti, zaradi neupoštevanja navodil za

delovanje, zaradi nepravilne namestitve ali priključitve na nepravilno napetost, škoda, povzročena zaradi kemičnih ali elektrokemičnih reakcij, rje, korozije ali vode, vključno, vendar ne omejeno na škodo, povzročeno zaradi prisotnosti prekomerne količine apnenca v vodovodnih cevi, ter škoda, ki je nastala zaradi atmosferskih in naravnih pojavov.

- Delov, podvrženih obrabi, na primer baterije in žarnice.
- Nefunkcionalnih dekorativnih delov, ki ne vplivajo na običajno uporabo gospodinjanskega aparata, vključno s praskami in spremembami barve.
- Nenamernih poškodb, ki so jih povzročile tuje snovi ali delci in čiščenje ali odmaševanje filtrov, sistemov za odvajanje ali predalov za sredstva za čiščenje.
- Poškodb delov, kot so steklokeramika, dodatki, košare za posodo in pribor, dovodne in odvodne cevi, tesnila, žarnice in ustrezni pokrovi, zaslone, roči, prevleke in deli prevlek, razen kadar se lahko dokaže, da je do teh poškodb prišlo zaradi napak v proizvodnji.
- Primerov, ko tehnik pri pregledu ni odkril napak.
- Popravil, ki jih ni izvedel izvajalec servisnih storitev, ki ga imenuje IKEA, ali njegov pooblaščen servisni partner oziroma popravil, pri katerih niso bili uporabljeni originalni deli.
- Popravil, ki so potrebna zaradi neprimerne namestitve ali namestitve, ki ni bila v skladu s specifikacijami.
- Uporabe električnega gospodinjanskega aparata v negospodinjanskem okolju, na primer v poklicne namene.
- Poškodb, nastalih med transportom. V primeru, da izdelek do lastnega stanovanja ali na drug naslov dostavi stranka, IKEA ne prevzema odgovornosti za poškodbe, ki so nastale med transportom. Če pa je izdelek na strankin naslov dostavila IKEA, potem ta garancije pokriva morebitne poškodbe, povzročene s transportom.
- Stroškov prvotne namestitve naprave IKEA. Če izvajalec servisnih storitev, ki ga imenuje IKEA, ali njegov pooblaščen servisni partner opravi popravilo ali zamenjavo naprave v okviru garancije, mora izvajalec ali pooblaščen servisni partner, če je

potrebno, poskrbeti tudi za ponovno namestitev popravljene ali nove naprave.

Te omejitve ne veljajo za dela, ki jih usposobljeno osebje ustrezno izvede in pri katerih so uporabljeni originalni deli z namenom, da bi napravo priredili varnostnim predpisom druge države EU.

Uporaba nacionalnih zakonov

Garancija IKEA stranki podeljuje posebne pravne pravice poleg pravic, ki jih predvideva zakon, in se razlikujejo glede na državo. Ti pogoji nikakor ne omejujejo pravic potrošnikov, ki so opredeljene v lokalni zakonodaji.

Območje veljavnosti

Za električne gospodinjske aparate, ki so kupljeni v eni državi EU in se prenesejo v drugo državo EU, je za servis poskrbljeno na osnovi pogojev garancije, ki veljajo v novi državi. Obveznost zagotavljanja servisa na osnovi garancijskih pogojev je utemeljena le, če je naprava skladna:

- s tehničnimi specifikacijami države, v kateri se uveljavlja garancija;
- z informacijami o varnosti, ki so v priročniku za uporabo, ter nameščena skladno z njimi.

Poprodajna servisna služba za gospodinjske aparate IKEA:

Brez oklevanja se obrnite na poprodajno servisno službo IKEA, če želite:

1. prositi za pomoč s sklicevanjem na garancijo;
2. dobiti pojasnila glede namestitve gospodinjskih aparatov IKEA v posebno kuhinjsko pohištvo IKEA. Servisna služba ne nudi pomoči ali pojasnil za:
 - namestitev kompletnih kuhinj IKEA,
 - električne priključitve (če se naprava dobavlja brez kablov in vtikačev), vodovodne priključitve in priključitev naprave na plin, kar mora izvesti pooblaščen servisni tehnik.
3. dobiti pojasnila v zvezi z vsebino priročnika za uporabo in glede specifikacij električnega gospodinjskega aparata IKEA.

Da si zagotovite najustreznejšo pomoč, vas prosimo, da pozorno preberete Navodila za montažo in/ali Priročnik za uporabo, preden pokličete servisno službo.

Kako vzpostavite stik, če potrebujete našo pomoč?



Oglejte si popoln seznam izvajalcev servisnih storitev IKEA in njihovih državnih telefonskih števil, ki so na zadnji strani tega priročnika.

Pomembno! Da zagotovite čim hitrejši servis, priporočamo uporabo telefonskih števil, ki so navedene na koncu tega priročnika. Kadar zahtevate pomoč, vedno navedite ustrezne kode naprave, ki jih najdete v tem priročniku. Preden pokličete, se prepričajte, ali imate pri roki kodo izdelka IKEA (8 števil), ki se nanaša na električni gospodinjski aparat, v zvezi s katerim želite pomoč.

Pomembno! SHRANITE RAČUN! To je vaš dokaz o nakupu, ki ga morate predložiti, da lahko uveljavljate garancijo. Na računu sta navedena tudi ime in koda (8 števil) posameznega električnega gospodinjskega aparata IKEA, ki ste ga kupili.

Potrebujete dodatno pomoč?

Za nadaljnja vprašanja, ki niso povezana s servisno službo, se obrnite na najbližjo prodajno točko IKEA. Prosimo vas, da pozorno preberete dokumentacijo naprave, preden pokličete.

Безбедносне информације

i Ради ваше безбедности и правилног коришћења уређаја, пре монтаже и употребе пажљиво прочитајте ово упутство. Чувајте ово упутство заједно са уређајем чак и у случају продаје или предаје трећем лицу. Корисници морају да знају све радне и безбедносне карактеристике уређаја.

Ови штедњаци имају индуктивне системе који су усклађени са стандардима електромагнетне компатибилности и са Директивом о електромагнетним пољима (EMF) и не смеју да ометају друге електронске уређаје. Корисници пејсмејкера и других електронских имплантата морају да консултују свог лекара или произвођача имплантираног уређаја да би се проценило да ли је он довољно отпоран на сметње.

! Електричне прикључке мора да постави квалификовани електричар. Пре прикључивања електричних прикључака прочитајте одељак „Електрични прикључци“.

Код уређаја са каблом за напајање, контакти или делови водова од места причвршћења кабла до контаката морају бити распоређени тако да водови под напоном изађу пре вода уземљења ако кабл испадне из свог лежишта.

- Произвођач неће бити одговоран ни за какву штету насталу услед неправилне или неодговарајуће инсталације.
- Проверите да ли напон напајања одговара ономе који је назначен на натписној плочици са унутрашње стране производа.
- Исклопни уређаји морају да се поставе у фиксни систем у складу са прописима о ожичењу.
- У случају уређаја 1. класе, проверите да

ли струјна утичница може да обезбеди адекватно уземљење.

- Прикључите производ на струју преко двополног прекидача.
- Ако се кабл за напајање оштети, мора да га замени произвођач, овлашћени сервисни центар или квалификовани сервисер да би се избегла било каква опасност.

! **УПОЗОРЕЊЕ:** Пре постављања уређаја уклоните заштитне фолије.

- Користите искључиво завртње и друге делове испоручене уз уређај.

! **УПОЗОРЕЊЕ:** Непостављање завртњева или причврсних елемената описаних у овом упутству може да доведе до опасности од струјног удара.

- Чишћење и одржавање не смеју да обављају деца, осим ако су под надзором одрасле особе.
- Деца морају бити под надзором да се не би играла са уређајем.
- Овај уређај не смеју да користе особе (укључујући и децу) са смањеним физичким, чулним или менталним способностима, као ни особе које немају довољно искуства и знања, сем ако их пажљиво надзиру или о безбедној употреби уређаја обуче особе одговорне за њихову безбедност.
- Овај уређај могу да користе деца старија од 8 година и особе са смањеним физичким, чулним или менталним способностима или са недовољним искуством и знањем ако су под пажљивим надзором и ако су им објашњени безбедна употреба уређаја и опасности повезане са тим. Не дозволите деци да се играју са уређајем.

! **УПОЗОРЕЊЕ:** Уређај и његови приступачни делови постају током употребе изузетно врели.

Јако пазите да не додирнете грејна тела. Децу млађу од 8 година склоните на безбедно растојање од уређаја, сем ако су под непрекидним надзором.

УПОЗОРЕЊЕ: Ако се на површини јаве било каква напрснућа, искључите уређај да бисте спречили струјни удар.

- Не укључујте уређај ако је површина напрсла или се види било какво оштећење у материјалу.
- Не додирујте уређај мокрым рукама и телом.
- За чишћење производа не користите уређаје на пару.
- Не остављајте на штедњаку металне предмете попут ножева, виљушки, кашика и поклопаца посуда јер могу да се прегреју.
- За искључивање штедњака након коришћења употребите одговарајућу команду; не ослањајте се на сензоре за посуде.

УПОЗОРЕЊЕ: Пржење на уљу и масти без надзора може бити опасно и може изазвати пожар. НИКАД не покушавајте да угасите пламен водом. Уместо тога, искључите уређај и угушите пламен нпр. поклопцем посуде или противпожарним прекривачем.

ОПРЕЗ: Кување мора бити под надзором. Кратко кување мора бити под непрекидним надзором.

- Уређај није предвиђен за укључивање помоћу спољног тајмера или засебног система за даљинско управљање.

УПОЗОРЕЊЕ: Опасност од пожара: не остављајте предмете на грејне зоне.

- Уређај мора да се инсталира тако да омогући прекид напајања прекидачем чији размак контаката (3 mm) осигурава прекид напајања у условима преоптерећења категорије 3.
- Уређај никад не сме да се изложи

временским непогодама (киша, сунце).

- Склоните амбалажу подаље од деце и животиња.
- Побрините се да уређај буде прикључен директно у струјну утичницу.
- За прикључивање уређаја не користите адаптере, разделнике и продужне каблове.
- Никад не користите уређај за било шта осим за оно за шта је намењен.
- Фритезе морају да буду под непрекидним надзором током употребе: уље може да се запали ако се прегреје.
- Не користите уређај помоћу спољног тајмера или засебног система за даљинско управљање.
- Уређај не сме да се поставља иза украсних врата да се не би прегрејао.
- Не пењите се на уређај јер може да се оштети.
- Не стављајте вреле шерпе и тигање на ивицу јер могу да се оштете силиконске заптивке.

Инсталирање

Током инсталирања морају да се поштују закони, уредбе, директиве и стандарди (правила и прописи о електричној безбедности, правилна рециклажа у складу са прописима итд.) који су на снази у земљи употребе!


- За додатне информације о инсталирању погледајте Упутство за монтажу.
- Не користите силикон за заптивање простора између уређаја и радне површине.
- Уверите се да је простор испод штедњака довољан за циркулацију ваздуха. Погледајте Упутство за монтажу.
- Дно уређаја може постати врело. Ако уређај постављате изнад фиока, обавезно испод њега поставите незапаљиву преграду да бисте спречили приступ одоздо. Погледајте Упутство за монтажу.
- Вентилација уређаја мора бити у складу са упутствима произвођача.
- Направите отвор од најмање 28 cm² на предњој страни елемента у који ће штедњак бити уграђен да бисте омогућили његово проветравање.

Захтеви у погледу кухињских елемената

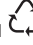
- Ако се уређај монтира на запаљиве материјале, морају строго да се поштују смернице и прописи за нисконапонске уређаје и противпожарну заштиту.
- При постављању, компоненте (пластични материјали и панел-плоче) морају да се лепе термоотпорним лепковима (мин. 85°C): употреба непогодног материјала и лепкова може довести до кривљења и одвајања.
- Употреба украсних дрвених лајсни око радне површине иза уређаја дозвољена је ако се поштује минимална удаљеност назначена на шемама за инсталацију.
- Ако испод штедњака нема рерне, поставите преграду испод уређаја у складу са Упутством за монтажу.

Еколошки аспекти

Одлагање кућних уређаја

- Символ  на производу или његовој амбалажи означава да се он не сме одлагати заједно са обичним кућним отпадом. Производ мора да се одложи у специјалном центру за рециклажу електричних и електронских компонената. Осигуравајући да се овај производ правилно одложи, допринећете спречавању негативних последица по животну средину и здравље до којих може доћи услед неправилног одлагања. За детаљније информације о рециклажи овог производа обратите се локалној управи, служби за одношење смећа или продавници у којој сте купили производ.

Одлагање амбалаже

Материјали који на себи имају симбол  могу да се рециклирају. Амбалажу одложите у посебан контејнер за прикупљање материјала за рециклажу.

Штедња енергије

Можете штедети енергију током свакодневног кувања ако пратите доленаведене савете.

- Кад грејете воду, грејте само ону количину која вам треба.
- По могућности увек поклопите посуду.
- Пре него што укључите грејну зону, ставите посуду на њу.
- Мање посуде стављајте на мање грејне зоне.
- Посуду ставите тачно на средину грејне зоне.
- Заосталу топлоту посуде употребите за догревање или топљење хране.

Чишћење и одржавање

- Не користите абразивне сунђере, жицу, хлороводоничну киселину и друге производе који могу да огребу или нагризу површину.
- Храна која случајно падне или се наталожи на површини, функционалним или естетским елементима штедњака не сме да се поједе.
- Искључите уређај или га раздвојте од извора напајања пре било каквог рада на одржавању.
- Чистите уређај након сваке употребе да бисте спречили загоревање заостале хране. Много је теже уклонити скорене и загореле нечистоће.
- За свакодневне нечистоће користите меку крпу или сунђер и погодан детерџент. Користите детерџенте

које препоручује произвођач. Препоручује се употреба заштитних детерџената.

- Скорене нечистоће, нпр. загорело просуто млеко, уклоните стругачем за стаклокерамичке површине док је штедњак још увек топао. Користите стругаче које препоручује произвођач.
- Храну која садржи шећер, нпр. пекмез проливен током кувања, уклоните стругачем за стаклокерамичке површине док је штедњак још увек топао. Ако то не учините, наслаге могу оштетити стаклокерамичку површину.
- Истопљену пластику уклоните стругачем за стаклокерамичке површине док је штедњак још увек

- топао. Ако то не учините, наслаге могу оштетити стаклокерамичку површину.
- Каменац уклоните малом количином раствора за скидање каменца, нпр. сирћетом или лимуновим соком, након што се штедњак охлади. Затим пребришите влажном крпом.

- Не сеците и не припремајте намирнице на површини уређаја и не испуштајте тврде предмете на њега. Не вуците посуде и тањире преко његове површине.
- Не користите парочистаче.

Произвођач

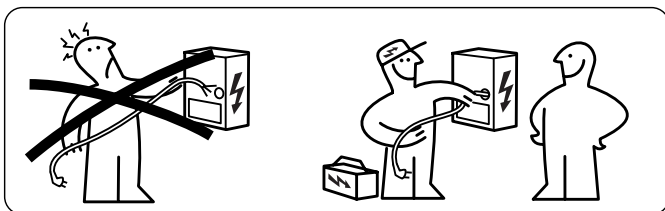
Ikea of Sweden AB – SE – 343 81 Älmhult, Шведска

Прикључивање на струју

УПОЗОРЕЊЕ: Све електричне прикључке мора да постави овлашћени инсталатер.

- Пре повезивања проверите да ли називни напон уређаја назначен на плочици са подацима одговара напону мрежног напајања. Натписна плочица је причвршћена на доњој страни плоче за кување.
- Користите само оригиналне компоненте које испоручује сервис резервних делова.
- Уређај није опремљен мрежним каблом. Купите одговарајући кабл код специјализованих продаваца.
- Ако су оштећени, замените каблове за напајање са оригиналним резервним кабловима. Обратите се кол-центру ваше ИКЕА продавнице.

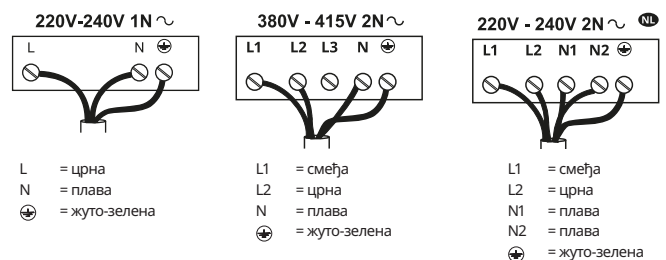
Опрез! Немојте лемити каблове!



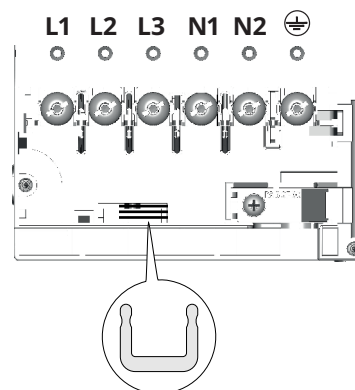
Прикључивање на струју

- Обратите пажњу на шему повезивања (која се налази на доњој страни производа).
- Овај уређај има везу типа "Y" и потребан је кабл за напајање H05VV-F. Кабл захтева обавезне завршне термине. Према ИЕЦ стандарду, употреба заједнофазно повезивање: 3 x 4 mm² кабл за напајање, за двофазни прикључак: 4 x 2,5 mm² кабл за напајање и за везу у Холандији: 5 x 2,5 mm² кабл за напајање. Спољни пречник кабла за напајање: мин 8 mm - макс 12 mm. Молимо вас да поштујете посебне националне прописе.
- Прикључним контактима може да сеприступи скидањем поклопца разводне кутије.
- Проверите да ли својства електричне мреже (напон, максимална снага и јачина струје) одговарају карактеристикама уређаја.
- Прикључите уређај као на слици (према важећим релевантним националним стандардима за напон напајања).

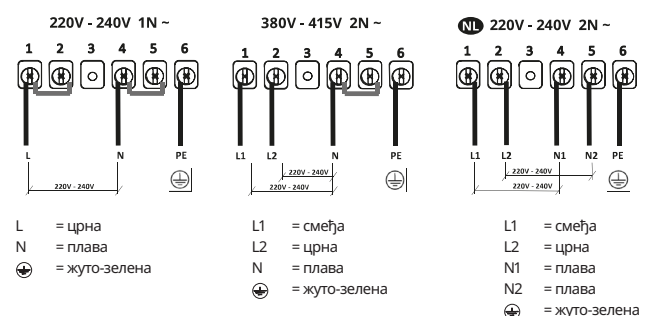
Дијаграм повезивања на страни куће



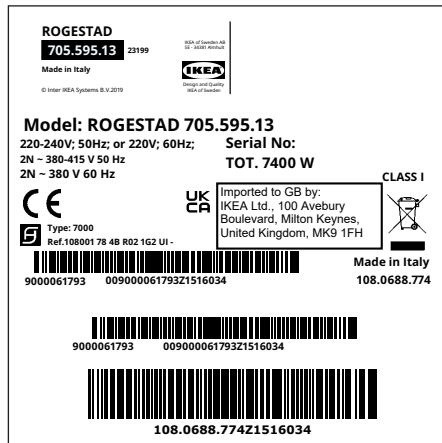
Дијаграм повезивања на страни производа



Убаците паралелне спојнице  између завртњева, као на слици



Натписна плочица



Слика изнад приказује натписну плочицу уређаја. Серијски број је специфичан за сваки производ. Поштовани корисниче, чувајте додатну натписну плочицу причвршћену за корице публикације „Безбедносне информације“ која се налази унутар производа.

Она ће нам омогућити да вам лакше помогнемо прецизном идентификацијом штедњака у случају да вам некад затреба наша помоћ.

Хвала вам на сарадњи!

ГАРАНЦИЈА КОМПАНИЈЕ ИКЕА

Колико важи гаранција компаније ИКЕА?

Ова гаранција важи пет (5) година од дана куповине уређаја у продавници ИКЕА. Као доказ куповине потребно је имати оригиналан рачун. Ако се под гаранцијом обави неко сервисирање, то неће продужити гарантни период уређаја.

Ко обавља сервис?

Сервисер ИКЕА пружаће услуге у сопственој режији или путем овлашћене мреже сервисних партнера.

Шта покрива гаранција?

Гаранција покрива кварове уређаја настале услед грешака у материјалу и изради од дана куповине у продавници ИКЕА. Ова гаранција важи само за употребу у домаћинству. Изузеци су наведени у питању „Шта није покривено овом гаранцијом?“ Током гарантног рока биће покривени трошкови отклањања квара тј. оправка, резервни делови, рад и путни трошкови у случају када је уређај доступан за оправку без посебних издатака. Под тим условима важе смернице ЕУ (бр. 99/44/ЕС) и одговарајући локални прописи. Замењени делови постају власништво компаније ИКЕА.

Како ће ИКЕА отклонити проблем?

Овлашћени сервисер компаније ИКЕА ће испитати производ и одлучити по свом нахођењу да ли је он покривен овом гаранцијом. Ако се сматра покривеним, сервисер компаније ИКЕА или његов овлашћени сервисни партнер ће тада у сопственој режији и по свом нахођењу или оправити неисправан уређај или га заменити истим или сличним производом.

Шта није покривено овом гаранцијом?

- Нормално хабање.
- Оштећења настала намерно или услед немара,

непридржавања упутства за употребу, неисправне монтаже или прикључивања на погрешан напон, оштећења изазвана хемијском или електрохемијском реакцијом, рђањем, корозијом или продором воде, укључујући између осталог и оштећења настала услед прекомерне количине кречњака у води, као и оштећења изазвана ненормалним условима средине.

- Потрошни материјал у који спадају батерије и сијалице.
- Нефункционални и украсни делови који не утичу на нормалан рад уређаја, укључујући и било какве огреботине и промене боје.
- Оштећења настала услед дејства страних тела или супстанци, као и приликом чишћења или деблокаде филтера, испусних система или фиока за сапун.
- Оштећења следећих делова: стаклокерамичке плоче, прибор, корпе за посуђе и есцајг, напојне и испусне цеви, заптивке, лампе и абажури, решетке, дугмад, кућишта и делови кућишта. Ако за таква оштећења не може да се докаже да су настала при производњи.
- Случајеви када током посете техничара не буде утврђена никаква грешка.
- Оправке које нису обавили наши овлашћени сервисери и/или овлашћени сервисни партнери или ако су коришћени неоригинални делови.
- Оправке услед монтаже која је неисправна или није у складу са спецификацијом.
- Употреба уређаја изван домаћинства, тј. професионална употреба.
- Оштећења при транспорту. Ако купац превезе производ на своју кућну или неку другу адресу, ИКЕА не одговара ни за каква оштећења која могу настати при транспорту. Међутим, ако ИКЕА испоручује производ на одређену адресу купца, тада ће оштећење производа настало током

те испоруке бити покривено овом гаранцијом.

- Трошкови почетне монтаже уређаја ИКЕА. Међутим, ако сервисер компаније ИКЕА или његов овлашћени сервисни партнер оправри или замени уређај под условима ове гаранције, сервисер или његов овлашћени сервисни партнер ће по потреби поново монтирати оправљени или заменски уређај.

Ово ограничење не важи за беспрекоран рад који квалификовани специјалиста обави уз коришћење наших оригиналних делова ради адаптирања уређаја према техничким безбедносним спецификацијама неке друге земље ЕУ.

Важење локалних закона

Гаранција компаније ИКЕА вам даје одређена права која покривају или надилазе локалне правне захтеве. Међутим, ови услови ни на који начин не ограничавају права потрошача дефинисана локалним прописима.

Подручје важења

За уређаје купљене у једној земљи ЕУ и пренете у неку другу земљу ЕУ сервис ће бити пружен под окриљем гарантних услова нормалних за ту другу земљу. Обавеза обављања сервиса под окриљем ове гаранције постоји само ако је уређај усклађен и постављен у складу са:

- техничким спецификацијама земље у којој је затражена рекламација;
- упутством за склапање и безбедносним информацијама у корисничком приручнику.

Наменске постпродајне услуге за уређаје ИКЕА:

Слободно контактирајте Службу за постпродајне услуге компаније ИКЕА да бисте:

1. затражили сервисирање под овом гаранцијом;
2. затражили разјашњење у вези са монтажом уређаја ИКЕА у наменском кухињском намештају компаније ИКЕА. Служба неће пружати појашњења која се односе на:
 - свеукупном монтажом кухиње ИКЕА;
 - прикључцима за струју (ако се машина испоручује без утикача и кабла), воду и гас зато што њих треба да обави овлашћени сервисер.
3. затражили разјашњење садржаја корисничког упутства и спецификација уређаја ИКЕА.

Да бисмо могли да вам помогнемо на најбољи начин, пре него што нас контактирате пажљиво прочитајте одељке Упутство за склапање и/или Упутство за коришћење у овој књижици.

Како да дођете до нас ако вам затреба сервис




Погледајте на задњој страни овог приручника комплетну листу ИКЕА овлашћених контаката и њихове локалне телефонске бројеве.

Важно! Да бисмо вам пружили бржу услугу, препоручујемо да користите одговарајуће телефонске бројеве наведене на крају овог приручника. Увек користите бројеве наведене у књижици одговарајућег уређаја за који вам је потребна помоћ. Пре позивања при руци треба да имате ИКЕА број артикла (8-цифрени код) уређаја за који тражите нашу помоћ. **Важно! САЧУВАЈТЕ РАЧУН!** То је доказ о куповини који морате имати да би гаранција важила. Имајте на уму да се на рачуну налазе ИКЕА бројеви артикла и бројеви (8-цифрени код) за сваки купљени уређај.


Да ли вам је потребна додатна помоћ?

За додатна питања која се не тичу постпродајних услуга за наше уређаје Обратите се позивном центру најближе продавнице ИКЕА. Препоручујемо да пре позивања пажљиво прочитате документацију уређаја.

Informācija par drošību

 Lai droši un pareizi ekspluatētu savu ierīci, pirms tās uzstādīšanas un lietošanas rūpīgi izlasīt šo brošūru. Šo instrukciju glabājiet kopā ar ierīci arī tad, ja tā tiks pārdota vai nodota trešajām personām. Ļoti svarīgi ir tas, lai lietotāji pārzinātu visus ierīces ekspluatācijas un drošības parametrus.

Šis plītis ir aprīkots ar indukcijas sistēmām, kas atbilst elektromagnētiskās savietojamības (EMS) standartiem un EML direktīvai, tādēļ nerada traucējumus citām elektroniskajām ierīcēm. Lai novērtētu noturību pret traucējumiem, elektrokardiostimulatoru lietotājiem un personām ar elektroniskajiem implantiem jākonsultējas ar savu ārstu vai implantētās ierīces ražotāju.

 Elektriskos pieslēgumus drīkst veikt apmācīts tehniķis. Pirms elektriskā pieslēguma izveidošanas, lūdz, izlasiet nodaļu "ELEKTRISKAIS PIESLĒGUMS".


Ierīcēm bez barošanas kabeļa spaiļes vai vada daļa starp kabeļa stiprināšanas punktu un spailēm jāizvieto tā, lai gadījumā, kad kabelis atdalās no stiprinājuma, fāzes vadi tiktu izvilkti pirms zemējuma vada.

- Ražotājs nav atbildīgs par jebkādiem zaudējumiem, kas radušies nepareizas vai neatbilstošas uzstādīšanas dēļ.
- Pārbaudiet, vai elektrotīkla barošanas spriegums atbilst spriegumam, kas norādīts produktam iekšpusē piestiprinātajā tehnisko datu plāksnītē.
- Fiksētajā elektroinstalācijā saskaņā ar vietējiem elektrodrošības noteikumiem jāuzstāda atvienošanas ierīces.
- "I" klases ierīcēm pārliecinieties, ka sadzīves elektrobarošana nodrošina atbilstošu zemējumu.
- Produktu pie elektrotīkla pieslēdziet ar daudzpolu slēdzi.


- Ja barošanas kabelis ir bojāts, lai izvairītos no jebkādiem riskiem un bīstamības, tā nomaina jāveic ražotājam, autorizētam servisa centram vai kvalificētam tehniķim.

 **BRĪDINĀJUMS:** Pirms ierīces uzstādīšanas noņemiet aizsargplēves.

- Lietojiet tikai tādas skrūves un citus sīkus elementus, kas iekļauti ierīces komplektā.

 **BRĪDINĀJUMS:** Ja skrūves un stiprināšanas ierīces netiks uzstādītas tā, kā norādīts šajā instrukcijā, var pastāvēt elektriskā trieciena risks.

- Bērni nedrīkst veikt ierīces tīrīšanu un apkopi, izņemot situācijas, kad tos uzrauga pieauguša persona.
- Bērni jāuzrauga, lai novērstu rotaļāšanos ar ierīci.
- Šī ierīce nav paredzēta lietošanai personām (ieskaitot bērnus) ar ierobežotām fiziskajām, uztveres vai prāta spējām, vai nepieredzējušām vai neapmācītām personām, izņemot situācijas, kad šīm personām par viņu drošību atbildīgā persona ir sniegusi norādes par drošu ierīces lietošanu.
- Šo ierīci drīkst lietot bērni no 8 gadu vecuma un personas ar ierobežotām fiziskajām, uztveres vai prāta spējām, ar nepietiekamu pieredzi un zināšanām, ja tās tiek uzraudzītas, vai ir saņēmušas atbilstošas norādes par ierīces drošu lietošanu un izprot iesaistītos riskus. Neļaujiet bērniem rotaļāties ar ierīci.

 **BRĪDINĀJUMS:** Lietošanas laikā ierīce un tās pieejamās daļas kļūst ļoti karstas. Ievērojiet īpašu piesardzību un nepieskarieties karstajiem elementiem.

Ja bērni līdz 8 gadu vecumam netiek nepārtraukti uzraudzīti, tiem jāuzturas pēc iespējas tālāk no ierīces.

BRĪDINĀJUMS: Ja uz virsmas ir redzamas

jebkādas plaisāšanas pazīmes, jebkura elektriskā trieciena riska novēršanai izslēdziet ierīci.

- Neieslēdziet ierīci, ja tai ir saplaisājusi virsma, vai materiāla biezumā ir redzami jebkādi bojājumi.
- Ja jūsu rokas vai ķermenis ir mitrs, nepieskarieties ierīcei.
- Produkta tīrīšanai nelietojiet tvaika ierīces.
- Uz plīts virsmas neatstājiet metāla priekšmetus, piemēram, nažus, dakšiņas, karotes un pannas vākus, jo tie var pārkarst.
- Lai pēc lietošanas izslēgtu plīts virsmu, lietojiet attiecīgu vadības rīku. Nepaļaujieties uz paneļa sensoriem.

BRĪDINĀJUMS:: Ja ēdiena gatavošanas process uz plīts, izmantojot eļļu vai taukus, netiek uzraudzīts, tas var kļūt bīstams un radīt aizdegšanos. NEKAD nemēģiniet liesmas dzēst ar ūdeni; liesmu dzēšanas laikā izslēdziet ierīci un apslāpējiet liesmas, piemēram, ar pannas vāku vai ugunsdzēšanas pārklāju.

PIESARDZĪBU:: Ēdiena gatavošanas process ir jāuzrauga. Arī īss ēdiena gatavošanas process ir jāuzrauga.

- Ierīce nav paredzēta ieslēgšanai ar ārēju taimeru vai atsevišķu, attālināti vadāmu sistēmu.

BRĪDINĀJUMS:: Aizdegšanās bīstamība: uz gatavošanas virsmām nenovietojiet priekšmetus.

- Ierīce ir jāuzstāda tādā veidā, kas ļauj veikt tās atvienošanu no elektrobarošanas ar (3 mm) kontaktu attālumu, šādi nodrošinot pilnu atvienošanu III kategorijas pārslodzes apstākļos.
- Ierīci nekad nedrīkst pakļaut laika apstākļu ietekmei (lietus, saule).
- Iepakojuma materiālu turiet drošā attālumā no bērniem un dzīvniekiem.
- Pārliedzinieties, ka ierīce ir tieši pievienota

pie elektrības rozetes.

- Ierīces pieslēgšanai nelietojiet adapterus, vairākas rozetes vai pagarinātājus.
- Nekad ierīci nelietojiet neparedzētiem mērķiem.
- Taukvāres katli lietošanas laikā nepārtraukti jāuzrauga, jo pārkaršusi eļļa var aizdegties.
- Nelietojiet ierīci ar ārēju taimeru vai atsevišķu attālināti vadāmu sistēmu.
- Lai nepieļautu pārkaršanu, ierīci nekādā gadījumā nedrīkst uzstādīt aiz dekoratīvām durvīm.
- Nekad nestāviet uz ierīces, jo šādi to var sabojāt.
- Karstus katlus un pannas nenovietojiet uz apmales, jo šādi var sabojāt silikona blīvījumus.

Uzstādīšana

Uzstādīšanas procesā jāievēro lietošanas valstī spēkā esošā likumdošana, rīkojumi, direktīvas un standarti (elektrodrošības noteikumi, pareiza utilizācija saskaņā ar noteikumiem utt.).


- Plašāka informācija par uzstādīšanu ir sniegta Montāžas instrukcijā.
- Starp ierīci un darba virsmu nelietojiet silikona hermētiķi.
- Pārlicinieties, ka virs plīts ir pietiekami daudz vietas gaisa cirkulācijai. Lūdzu, vadieties pēc Montāžas instrukcijas.
- Ierīces apakšdaļa var kļūt karsta. Ja ierīce ir uzstādīta virs atvilktnēm, pārlicinieties, ka zem ierīces ir uzstādīts nedegošs, atdalošs panelis, kas neļauj piekļūt tās apakšdaļai. Lūdzu, vadieties pēc Montāžas instrukcijas.
- Ierīces ventilācijai jāatbilst ražotāja norādēm.
- Mezglā izveidojiet priekšējo atveri ar laukumu vismaz 28 cm², kurā tiks uzstādīta plīts un kura nodrošinās produkta aerāciju.

Prasības virtuves mezgliem


- Ja ierīce tiek uzstādīta uz degoša materiāla pamatnes, stingri jāievēro zemsprieguma instalāciju un ugunsaisardzības vadlīnijas un noteikumi.
- Iebūvētām ierīcēm sastāvdaļas (plastmasas materiāli un laminēts koks) jāuzstāda ar karstumizturīgām līmēm (min. 85 °C): nepiemērotu materiālu un nepiemērotu līmju izmantošanas gadījumā var parādīties savērpšanās un atdalīšanās.
- Ap darba virsmu atļauts aiz ierīces uzstādīt dekoratīvas cietkoka apmales (ja minimālais attālums vienmēr atbilst uzstādīšanas rasējumos norādītajiem izmēriem).
- Ja zem plīts neatrodas cepeškrāsns, zem ierīces saskaņā ar Montāžas instrukciju uzstādiet atdalošo paneli.

Vides aizsardzības jautājumi

Sadzīves ierīču utilizācija

- Simbols  uz produkta un tam pievienotajos dokumentos nozīmē, ka šo ierīci nedrīkst izmest kopā ar parastiem sadzīves atkritumiem. Atbrīvošanās no produkta jāveic specializēta otrreizējās elektrisko un elektronisko ierīču pārstrādes centrā. Pārlicinieties par to, ka šis produkts tiks utilizēts pareizā veidā, jūs palīdzēsiet samazināt negatīvo ietekmi uz apkārtējo vidi un veselību, kas varētu rasties nepareizas atbrīvošanās no produkta gadījumā. Plašāka informācija par atbrīvošanās no šī produkta ir pieejama jūsu pašvaldībā, vietējā atkritumu pārstrādes uzņēmumā vai veikalā, kur jūs iegādājāties produktu.

Iepakojuma materiālu utilizācija

Ar simbolu  atzīmētos materiālus var pārstrādāt. No iepakojuma materiāliem atbrīvojieties speciālos pārstrādājamo materiālu konteineros.

Enerģijas taupīšana

Ievērojot turpmāk izklāstītos ieteikumus ikdienas gatavošanas laikā var ietaupīt enerģiju.

- Sildot ūdeni, sildiet tikai nepieciešamo ūdens daudzumu.
- Ja iespējams, uzlieciet virtuves traukiem vākus.
- Pirms gatavošanas zonas ieslēgšanas uzlieciet uz tās virtuves trauku.
- Mazākus virtuves traukus lieciet uz mazākām gatavošanas zonām.
- Virtuves traukus lieciet tieši gatavošanas zonas centrā.
- Varat izmantot atlikušo siltumu, lai uzturētu ēdienu siltu vai to atkausētu.

Uzturēšana un tīrīšana

- Nekad nelietojiet abrazīvus sūkļus, metāla sūkļus, sālsskābi vai citus produktus, kas var radīt virsmas skrāpējumus vai pēdas.
- Pārtiku, kas nejauši nokrīt vai uzkrājas uz virsmas, no plīts funkcionālajiem un estētiskajiem elementiem, nedrīkst ēst.
- Pirms jebkādu apkopes darbu veikšanas atslēdziet ierīci no elektrotīkla.
- Lai nepieļautu pārtikas piedegšanu uz plīts virsmas, tā pēc katras lietošanas jānotīra. Piekaltušu vai piedegušu pārtiku notīrīt ir daudz grūtāk.
- Ikdienas netīrumu tīrīšanai lietojiet mīkstu drānu vai sūkli ar piemērotu tīrīšanas līdzekli. Ievērojiet ražotāja norādes par izmantojamiem tīrīšanas līdzekļiem. Ieteicams izmantot

aizsargājošus tīrīšanas līdzekļus.

- Lai aizvāktu piekaltušus netīrumus, piemēram, vārīšanās laikā notecējušu pienu, kamēr plīts vēl ir karsta, lietojiet skrāpi, kas ir paredzēts stikla keramikai. Ievērojiet ražotāja norādes par izmantojamiem skrāpjiem.
- Lai aizvāktu cukuru saturošu pārtiku, piemēram, gatavošanas laikā nopilējušu ievārījumu, kamēr plīts vēl ir karsta, lietojiet skrāpi, kas ir paredzēts stikla keramikai. Ja netīrumus uzreiz neaizvāksiet, to paliekas var sabojāt stikla keramikas virsmu.
- Lai aizvāktu jebkuru izkusušu plastmasu, kamēr plīts vēl ir karsta, lietojiet skrāpi, kas ir paredzēts stikla keramikai. Ja netīrumus uzreiz neaizvāksiet, to paliekas var sabojāt stikla keramikas virsmu.

- Kalķakmens aizvākšanai, kad plīts būs atdzisusi, lietojiet nelielu kalķakmens tīrīšanas līdzekļa, piemēram, etiķa vai citronu sulas daudzumu. Pēc tam atkal notīriet ar mitru drānu.

- Uz virsmas aizliegts sagriezt pārtikas sastāvdaļas un uzņemt smagus priekšmetus. Pa virsmu nevelciet pannas un šķīvjus.
- Nelietojiet tvaika tīrīšanas iekārtas.

Ražotājs

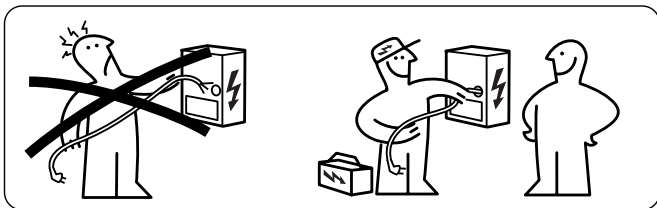
Ikea of Sweden AB - SE - 343 81 Älmhult, Zviedrija

Elektriskais pieslēgums

⚠ BRĪDINĀJUMS: Visus elektriskos savienojumus drīkst izveidot autorizēts elektriķis.

- Pirms savienojumu izveidošanas pārbaudiet, vai ierīces datu plāksnītē norādītais ierīces nominālais spriegums atbilst elektrotīkla spriegumam. Datu plāksnītē ir piestiprināta plīts apakšpusē.
- Izmantojiet tikai oriģinālos komponentus, ko piegādājis rezerves daļu servisa centrs.
- Ierīce nav aprīkota ar tīkla kabeli. Iegādājieties pareizo pie specializēta izplatītāja.
- Ja barošanas kabeli ir bojāti, nomainiet tos ar oriģinālajiem. Sazinieties ar sava IKEA veikala zvanu centru.

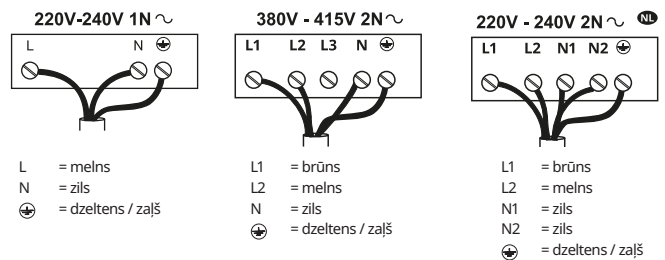
⚠ Piesardzību! Neveiciet jebkuru kabelu metināšanu!



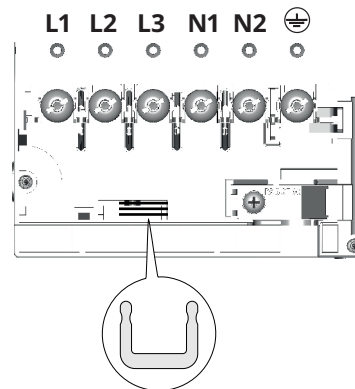
Elektriskais pieslēgums

- Ievērojiet savienojuma shēmu (atrodas produkta apakšpusē).
- Šai ierīcei ir "Y" tipa savienojums, un tai ir nepieciešams H05WF-F barošanas kabelis. Kabelim nepieciešama obligātas galu uznavas. Saskaņā ar IEC standartu, vienfāzes savienojumam izmantojiet: 3 x 4 mm² barošanas kabeli, divfāžu savienojumam: 4 x 2,5 mm² barošanas kabeli un savienojumam Nīderlandē: 5 x 2,5 mm² barošanas kabeli. Barošanas kabeļa ārējais diametrs: min 8 mm - maks. 12 mm. Lūdzu, ievērojiet īpašos noteikumus.
- Pieslēguma spailēm iespējams piekļūt, noņemot savienošanas kārbas vāku.
- Pārliedzieties, vai sadzīves elektriskās sistēmas parametri (spriegums, maksimālā jauda un strāva) atbilst attiecīgajiem ierīces parametriem.
- Ierīci pieslēdziet atbilstoši shēmai (saskaņā ar uzstādīšanas valstī spēkā esošajiem elektrotīkla sprieguma standartiem).

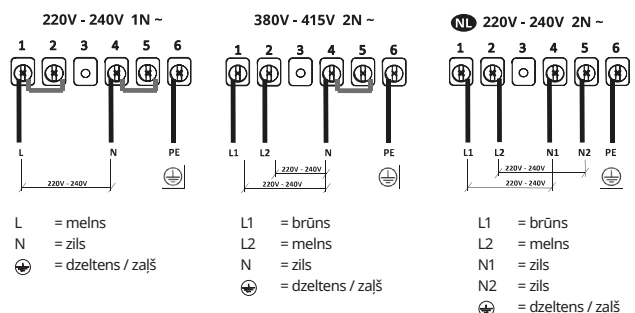
Mājas pieslēguma shēma



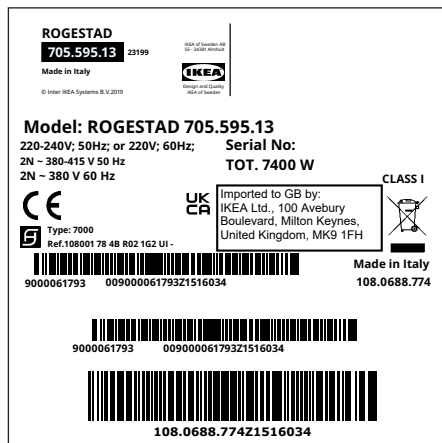
Savienojuma shēma produkta pusē



Starp skrūvēm norādītajā veidā ievietojiet šuntus U



Tehnisko datu plāksnīte



Augstāk attēlā ir parādīta ierīces tehnisko datu plāksnīte. Katram produktam ir speciāls sērijas numurs. Cienījamais klient! Papildu tehnisko datu plāksnīti turiet piestiprinātu pie Drošības bukleta, kas izvietots produkta iekšpusē.

Šādi nākotnē, kas jums būs nepieciešama mūsu palīdzība, jūs labāk varēsiet identificēt savu plīti. Pateicamies par palīdzību!

IKEA GARANTĪJA

Cik ilgi spēkā ir IKEA garantija?

Šī garantija ir derīga piecus (5) gadus kopš iekārtas sākotnējā pirkšanas datuma IKEA. Kā pirkuma pierādījums nepieciešams pirkuma čeks. Ja garantijas ietvaros tiek veikti servisa darbi, ierīces garantijas periods netiek pagarināts.

Kas veiks servisu?

Servisu veiks IKEA servisa pārstāvis ar saviem spēkiem vai ar autorizētu partneru tīkla starpniecību.

Kas iekļauts šajā garantijā?

Garantija attiecas uz ierīces defektiem, kas radušies ražošanas vai materiālu brāķa rezultātā pēc iegādes no IKEA datuma. Šī garantija ir spēkā izstrādājuma lietošanai mājāsaimniecībās. Izņēmumi ir norādīti sadaļā "Kas nav iekļauts šajā garantijā?" Garantijas periodā tiek nosegtas defekta novēršanas izmaksas, t.i. remonta darbi, detaļas, darbs un ceļošana, pieņemot to, ka ierīce ir pieejama remontam bez speciāliem izdevumiem. Uz šiem nosacījumiem attiecas ES vadlīnijas (Nr. 99/44/EG) un attiecīgi vietējie noteikumi. Nomainītās detaļas kļūst par IKEA īpašumu.

Ko IKEA darīs, lai atrisinātu problēmu?

IKEA nozīmētais servisa pakalpojumu sniedzējs veiks izstrādājuma apskati un pēc saviem ieskatiem izlems, vai uz to attiecas garantija. Ja uz to attiecas garantija, IKEA servisa pakalpojumu sniedzējs vai autorizēts servisa partneris pēc saviem ieskatiem veiks bojātā izstrādājuma remontu vai nomaiņu ar tādu pašu vai analogisku izstrādājumu.

Kas nav iekļauts šajā garantijā?

- Parasts nolietojums un nodilums.
- Apzināti vai nolaidības rezultātā radīti bojājumi, bojājumi, kas radušies neievērojot lietošanas instrukcijas prasības, nepareizas uzstādīšanas vai pieslēgšanas nepareizam spriegumam rezultātā, bojājumi, kas radušies ķīmiskas vai elektroķīmiskas reakcijas, rūsas, korozijas vai ūdens radītu bojājumu rezultātā, neaprobežojoties ar uzskaitījumu, bojājumi, ko radījis

pārmērīgs kaļķa saturs ūdensvadā, kā arī nenormālu apkārtējās vides apstākļu radīti bojājumi.

- Izejmateriāli, ieskaitot baterijas un spuldzes.
- Nefunkcionālas un dekoratīvas detaļas, kas neietekmē normālu ierīces lietošanu, ieskaitot jebkādu skrāpējumu un iespējamās krāsu atšķirības.
- Nejauši bojājumi, ko radījuši svešķermeņi vai vielas, filtru tīrīšana vai atbrīvošana, noteces sistēmas vai ziepju atvilktnes.
- Šādu detaļu bojājumi: keramiskais stikls, piederumi, māla trauki un nažu turētāji, padeves un noteces caurules, blīvējumi, spuldzes un spuldžu apvalki, aizslietņi, rokturi, apšuvums un apšuvuma detaļas. Izņemot gadījumus, kad ir apstiprināts, ka bojājumi radušies ražošanas brāķa rezultātā.
- Gadījumi, kad tehnika vizītes laikā bojājumu nav iespējams konstatēt.
- Remonta darbi, ko nav veikuši mūsu apstiprinātie servisa pakalpojumu sniedzēji un/vai autorizēti servisa partneri, ar ko noslēgts līgums, vai ir izmantotas neoriģinālas rezerves daļas.
- Remonta darbi, kas veikti bojātas vai tehniskajiem parametriem neatbilstošas elektroinstalācijas radītu bojājumu gadījumā.
- Ierīces izmantošana ārpus mājāsaimniecības, t.i. profesionāla izmantošana.
- Transportēšanas laikā radīti bojājumi. Ja izstrādājuma transportēšanu līdz mājām vai uz citu adresi veic klients, IKEA neuzņemas jebkādu atbildību par jebkādiem bojājumiem. Tomēr, ja izstrādājuma piegādi līdz klienta piegādes adresei veic IKEA, garantija būs spēkā attiecībā uz šīs piegādes laikā radītajiem bojājumiem.
- IKEA ierīces sākotnējās uzstādīšanas izmaksas. Tomēr, ja šīs garantijas ietvaros IKEA servisa pakalpojumu sniedzējs vai tā autorizēts servisa partneris veic ierīces remontu vai apmaiņu, servisa pakalpojumu sniedzējs vai tā autorizēts servisa partneris, ja nepieciešams, veiks atkārtotu remontētās vai apmainītās ierīces uzstādīšanu.

Šis ierobežojums neattiecas uz kvalificēta speciālista pareizi izpildītu darbu, kurā izmantotas mūsu oriģinālās rezerves daļas,

ar kurām ierīce ir pielāgota citas ES valsts tehniskās drošības prasībām.

Kādā veidā attiecināma valsts likumdošana

IKEA Jums garantē Jūsu likumiskās tiesības, kas attiecas vai pārsniedz vietējās prasības. Tomēr šie nosacījumi nekādā veidā neierobežo vietējā likumdošanā aprakstītās patērētāju tiesības.

Derīguma teritorija

Ierīcēm, kuras iegādātas vienā ES valstī un kuras pārvietotas uz citu ES valsti, serviss normālas garantijas nosacījumu ietvaros tiks nodrošināts. Pienākums veikt servisu garantijas ietvaros ir spēkā tikai tad, ja ierīce atbilst un uz uzstādīta saskaņā ar:

- garantijas pieprasījuma izdarīšanas valstī spēkā esošajiem tehniskajiem parametriem;
- lietotāja instrukcijas drošības informāciju un montāžas instrukciju;

Speciālais IKEA ierīču pēcpārdošanas serviss:

Nekautrējieties sazināties ar IKEA pēcpārdošanas servisu, lai:

1. veiktu servisa pieprasījumu šīs garantijas ietvaros;
2. lūgtu skaidrojumus par IKEA ierīces uzstādīšanu speciālajās IKEA virtuves mēbelēs. Serviss nesniedz skaidrojumus, kas saistīti ar:
 - vispārēju IKEA virtuvju uzstādīšanu;
 - elektrības pieslēgumiem (ja iekārta tiek piegādāta bez kontaktdakšas un vada), ūdens un gāzes pieslēgumiem, jo tie jāveic autorizētam
3. pieprasīt IKEA ierīces lietotāja instrukcijas saturu un tehnisko parametru skaidrojumus.

Lai nodrošinātu to, ka mēs Jums sniegsim vislabāko atbalstu, lūdzu, pirms sazināšanās ar mums, rūpīgi izlasiet Montāžas instrukciju un/vai šīs brošūras Lietotāja instrukcijas sadaļu.

Kā ar mums sazināties, ja Jums nepieciešams mūsu serviss?



Lūdzu skatīt šīs brošūras pēdējo lapu attiecībā uz IKEA pilno apstiprināto kontaktu sarakstu, ko noteicis Autorizētais tehniskās apkalpošanas centrs, un atbilstošo nacionālo tālruna numuru.


Svarīgi! Lai Jums sniegtu pēc iespējas ātrāku servisu, mēs Jums iesakām izmantot speciālos tālrunu numurus, kas norādīti šīs instrukcijas beigās. Vienmēr izmantojiet šajā brošūrā norādītos tālrunu numurus, kas attiecas uz konkrēto ierīci, kurai jūs vēlaties saņemt atbalstu. Pirms zvanīt mums, pārliecinieties, ka Jūsu rīcībā ir IKEA artikula numurs (8 ciparu kods) ierīcei, kurai Jūs vēlaties saņemt atbalstu.

Svarīgi! SAGLABĀJIET PIRKUMA ČEKU! Tas ir Jūsu pirkuma apstiprinājums, kas nepieciešams garantijas izmantošanai. Lūdzu, ņemiet vērā to, ka čekā katrai iegādātajai ierīcei ir norādīts arī IKEA artikula nosaukums un numurs (8 ciparu kods).


Vai Jums nepieciešama papildu palīdzība?

Visi jautājumi, kas nav saistīti ar Jūsu ierīču pēcpārdošanas servisu. Lūdzu, sazinieties ar tuvākā IKEA veikala zvanu centru. Mēs iesakām pirms sazināšanās ar mums izlasīt ierīces dokumentāciju.

Ohutusteave

 Teie oma ohutuse ja seadme õige töö tagamiseks lugege palun käesolev käsiraamat enne paigaldamist ja kasutamist hoolikalt läbi. Hoidke need juhised koos seadmega, isegi juhul, kui see müüakse või antakse edasi kolmandatele isikutele. On tähtis, et kasutajad tunneksid kõiki seadme töö- ja ohutusomadusi.

Nendel pliitidel on EMÜ standardite ja EMV direktiivi nõuetele vastavad induktsioonsüsteemid ning need ei tohiks põhjustada häireid teiste elektroonikaseadmete töös. Südamestimulaatorite kandjad ja teiste elektrooniliste implantaatide kasutajad peavad pidama nõu oma arsti või implanteeritud seadme tootjaga, et hinnata, kas see on häirete suhtes piisavalt vastupidav.

 Elektriühendused peab teostama väljaõppinud tehnik. Enne elektriühenduste teostamist lugege palun lõiku ELEKTRIÜHENDUSED.


Toitekaabliga seadmete puhul peavad klemmid või kaabli ankurpunkti ja klemmide vaheline juhtmeosa olema korraldatud sellisel viisil, mis võimaldab kaabli selle ankrust lahti tulemisel pingestatud juhtmete välja tõmbamist enne maandusjuhet.

- Tootja ei vastuta mingite kahjustuste eest, mille põhjuseks on ebaõige paigaldamine.
- Veenduge, et vooluvõrgu toide vastaks toote sisse kinnitatud andmeplaadil toodule.
- Kaitserleed tuleb fikseeritud süsteemi paigaldada vastavalt elektrisüsteemi määrustele.
- I klassi seadmete puhul veenduge, et majapidamistoide garanteeriks adekvaatse maandussüsteemi.
- Ühendage toode vooluvõrku omnipolaarse lüliti abil.


- Kui toitekaabel on kahjustatud, siis tuleb see ohu vältimiseks välja vahetada tootja, volitatud hoolduskeskuse või kvalifitseeritud tehniku poolt.

 **HOIATUS:** Eemaldage enne seadme paigaldamist kaitsekiled.

- Kasutage ainult seadmega kaasas olnud kruvisid ja teisi kinnituselemente.

 **HOIATUS:** Kruvide või kinnitusseadmete mitte vastavalt nendes juhistes kirjeldatule paigaldamine tähendab elektrilöögi ohtu.

- Puhastamist ja hooldust ei tohi teostada täiskasvanu järelevalveta lapsed.
- Jälgige lapsi ja veenduge, et nad ei mängiks seadmega.
- Seda seadet ei tohi kasutada inimesed (sealhulgas lapsed), kellel on piiratud füüsilised, sensoorsed või vaimsed võimed või kellel puuduvad vastavad kogemused või väljaõpe, välja arvatud juhul kui neid jälgib või juhendab seadme ohutul kasutamisel nende ohutuse eest vastutav isik.
- 8-aastased ja vanemad lapsed ning isikud, kellel on piiratud füüsilised, sensoorsed või vaimsed võimed või kellel puuduvad piisavad kogemused ja teadmised, võivad seda seadet kasutada, kui neid jälgitakse hoolikalt ning juhendatakse seadme ohutu kasutamise ja sellega seotud ohtude suhtes. Ärge laske lastel seadmega mängida.

 **HOIATUS:** Seade ja selle ligipääsetavad osad muutuvad kasutamise ajal ülimalt kuumaks.

Olge ettevaatlik, et mitte puutuda soojenduselemente.

Hoidke alla 8 aasta vanused lapsed seadmest eemal, välja arvatud juhul, kui nad on pideva järelevalve all.

HOIATUS: Kui pinnal on jälgi pragudest, lülitage seade elektrilöögi ohu vältimiseks välja.

- Ärge lülitage seadet sisse, kui pind on pragunenud või näha on kahjustusi materjali paksuses.
- Ärge puudutage seadet, kui teie käed või keha on märjad.
- Ärge puhastage seadet auruseadmetega.
- Ärge toetage metallobjekte, nagu näiteks noad, kahvlid, lusikad ja pannide kaaned, pliidi pinnale, kuna need võivad üle kuumeneda.
- Pärast kasutamist kasutage pliidi väljalülitamiseks vastavat juhtseadet, ärge toetuge pannianduritele.

HOIATUS: Järelevalveta õli ja rasva abil toidu valmistamine pliidil võib olla ohtlik ja võib põhjustada tulekahju. ÄRGE kunagi üritage kustutada leeki veega. Vastupidi, lülitage seade välja ja lammage leegid, näiteks panni kaane või tulekustutustekiga.

ETTEVAATUST: Toiduvalmistamise protsess peab toimuma järelevalve all. Lühike toiduvalmistamise protsess peab olema pideva järelevalve all.

- Seade ei ole loodud käivitamiseks välise taimeri või muu kaugjuhtimissüsteemiga.

HOIATUS: Tuleoht: ärge toetage esemeid küpsetuspindadele.

- Seade peab olema paigaldatud sellisel viisil, et võimaldada vooluvõrgust lahutamine kontaktivahega (3 mm), mis tagab täieliku lahutamise III kategooria ülekoormuse tingimustes.
- Seade ei tohi kunagi puutuda kokku ilmastikuga (vihm, päike).
- Hoidke pakkematerjal eemal lastest ja loomadest.
- Veenduge, et seade on ühendatud otse pistikupesasse.
- Ärge kasutage seadme ühendamiseks adaptoreid, mitmikpistikupesasid ega

pikendusjuhtmeid.

- Ärge kasutage seadet kunagi eesmärkidel, mille jaoks see mõeldud pole.
- Frittereid tuleb kasutamise ajal pidevalt jälgida – õli võib liiga kuumaks minnes süttida.
- Ärge kasutage seadet välise taimeri ega kaugjuhtimissüsteemi abil.
- Ülekuumenemise vältimiseks ei tohi seadet kunagi paigaldada dekoratiivse ukse taha.
- Ärge seadmel seiske, see võib seda kahjustada.
- Ärge toetage kuumi potte ja panne äärele, kuna see võib kahjustada silikoontihendeid.

Paigaldamine

Paigaldusprotsess peab järgima kasutusriigis kehtivaid seadusi, määrusi, direktiive ja standardeid (elektrilised ohutusreeglid ja -määrused, õige ümbertöötus vastavalt määrustele jne).


- Täiendava teabe saamiseks paigaldamise kohta vt koostamisjuhendit.
- Ärge kasutage seadme ja tööpinna vahel silikoontihendit.
- Veenduge, et pliidi all on piisavalt ruumi õhuringluse tagamiseks. Palun vaadake koostamisjuhendit.
- Seadme põhi võib muutuda kuumaks. Kui seade paigaldatakse sahtlite kohale, siis veenduge, et paigaldate ligipääsu takistamiseks selle põhjale seadme alla tulekindla eralduspaneeli. Palun vaadake koostamisjuhendit.
- Seadme ventilatsioon peab vastama tootja juhistele.
- Toote õhuvahetuse võimaldamiseks tehke seadme, kuhu pliit paigaldatakse, esiküljele vähemalt 28 cm² suurune ava.

Nõuded köögiseadmetele


- Seadme paigaldamisel tuleohtlikele materjalidele tuleb rangelt järgida madalpingeseadmete ja tuleohutusega seotud juhiseid ja määrusi.
- Paigaldatud seadmete puhul peavad komponendid (plastmaterjalid ja vineer) olema paigaldatud kuumakindlate liimidega (min 85 °C): sobimatu materjali ja liimi kasutamine võib põhjustada kaardumist ja eraldumist.
- Dekoratiivsete lehtpuust piiride kasutamine ümber seadme taha jääva tööpinna on lubatud eeldusel, et minimaalne vahemaa vastab alati paigaldusjoonistel toodud näitajatele.
- Kui pliidi all ahju ei ole, paigaldage seadme alla eralduspaneel vastavalt koostamisjuhendile.

Keskkonnavalasid aspektid

Kodumasinade käitlemine

-  Sümbol toote või selle pakendi peal tähendab seda, et toodet ei tohi käidelda koos tavapärase olmeprügiga. Toode tuleb käidelda spetsiaalses elektri- ja elektroonikakomponentide ümbertöötluskeskuses. Veendudes selle toote õiges käitlemisel aitate hoida ära selle ebaõige käitlemise tagajärjeks olla võivaid võimalikke negatiivseid tagajärgi keskkonnale ja tervisele. Täpsemat teavet selle toote ümbertöötlemise kohta saate oma kohalikust omavalitsusest, kohalikust jäätmete kõrvaldamise teenistusest või poest, kust toode osteti.

Pakkematerjali käitlemine

Materjale sümboliga  saab ümbertöödelda. Käideldge pakkematerjalid spetsiaalsetes ümbertöötamise kogumiskastides.

Energia säästmine

Igapäevase toiduvalmistamise juures saate energiat säästa alltoodud nõuandeid järgides.

- Vett soojendades kasutage ainult kogust, mida te vajate.
- Võimaluse korral katke toiduvalmistamise nõud alati kaantega.
- Asetage enne toidukuumtöötlemisvööndi aktiveerimist sellele toiduvalmistamise nõu.
- Asetage väiksemad nõud väiksematele toidukuumtöötlemisvöönditele.
- Asetage nõud otse toidukuumtöötlemisvööndi keskele.
- Kasutage toidu soojana hoidmiseks või sulatamiseks jääksoojust.

Hooldus ja puhastamine

- Ärge kunagi kasutage abrasiivseid švamme, terasvilla, vesinikkloriidhapet ega teisi tooteid, mis võivad pinda kriimustada või rikkuda.
- Pliidi pinnale, funktsionaalsetele või esteetilistele elementidele juhuslikult kukkunud või kogunenud toitu ei tohi süüa.
- Enne hooldustööde teostamist lülitage seade välja või ühendage see võrgutoitest lahti.
- Toidujääkide külge kõrbenemise vältimiseks puhastage seade pärast iga kasutamist. Külge kõrbenud mustuse eemaldamine on palju raskem töö.
- Igapäevase mustuse eemaldamiseks kasutage pehmet lappi või švammi ja sobivat puhastusainet. Järgige tootja soovitusi kasutatavate puhastusainete kohta. Soovitatav on kasutada

kaitsvaid puhastusaineid.

- Eemaldage kõrbenud mustus, näiteks üle keenud piim, kasutades klaaskeraamikale sobivat kaabitsat veel kuumalt pliidilt. Järgige tootja soovitusi kasutatavate kaabitsate kohta.
- Eemaldage suhkrut sisaldav toit, näiteks toiduvalmistamise ajal maha loksunud moos, kasutades klaaskeraamikale sobivat kaabitsat veel kuumalt pliidilt. Kui te seda ei tee, võivad jäägid klaaskeraamika pinda kahjustada.
- Eemaldage sulanud plastmass kasutades klaaskeraamikale sobivat kaabitsat veel kuumalt pliidilt. Kui te seda ei tee, võivad jäägid klaaskeraamika pinda kahjustada.
- Eemaldage katlakivi, kasutades väikest kogust katlakivi eemaldusvahendi lahust, näiteks äädikat või sidrunimahla,

kui pliit on jahtunud. Seejärel puhastage niiske lapiga uuesti.

- Ärge lõigake ega valmistage pinnal toiduaineid ette ning vältige kõvade esemete kukkumist sellele. Ärge lohistage panne ega plaate üle pinna.
- Ärge kasutage aurupuhastit.

Tootja

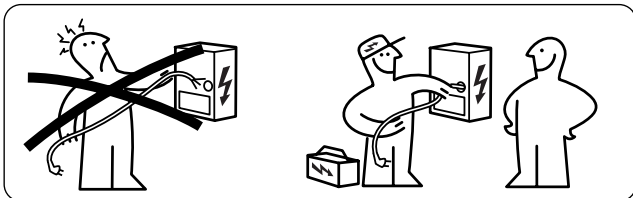
Ikea of Sweden AB - SE - 343 81 Älmhult, Rootsi

Elektriühendus

⚠ HOIATUS: Kõik elektriühendused peab teostama volitatud paigaldaja.

- Enne kaablite ühendamist kontrollige, kas seadme andmesildil märgitud nimipinge vastab võrgu pingele. Andmeplaat on kinnitatud pliidiplaadi alumisele küljele.
- Kasutage ainult originaalosi, mille on tarninud varuosade teenindus.
- Seade ei ole varustatud võrgukaabliga. Ostke sobiv kaabel spetsialiseeritud edasimüüjalt.
- Kui toitekaablid on kahjustatud, vahetage need uute originaalkaablite vastu välja. Võtke ühendust IKEA poe kõnekeskusega.

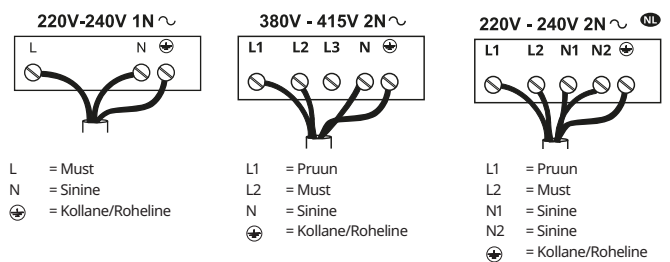
⚠ Ettevaatust! Ärge keevitage ühtegi kaablit!



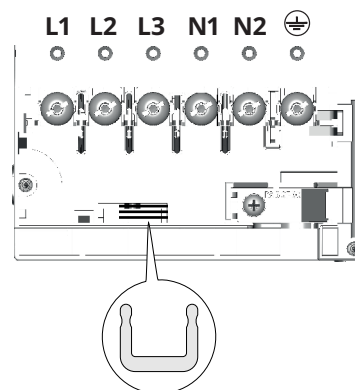
Elektriühendus

- Järgige ühendusskeemi (asub toote alumisel küljel).
- Sellel seadmel on Y-tüüpi ühendus ja see nõuab toitejuhet H05VV-F. Kaablil peavad olema otsahülsid. Vastavalt IEC standardile kasutage ühefaasiliseks ühendamiseks 3 x 4 mm² toitekaablit, kahefaasiliseks ühendamiseks 4 x 2,5 mm² toitekaablit ja ühendamiseks Hollandis: 5 x 2,5 mm² toitekaablit. Toitekaabli välisdiameeter: 8 kuni 12 mm. Palume kinni pidada riigis kehtivatest nõuetest.
- Ühendusklemmidele pääseb ligi harukarbi katte eemaldamise teel.
- Kontrollige, et koduse vooluvõrgu omadused (pinge, maksimaalne võimsus ja voolutugevus) ühilduks seadme omadega.
- Ühendage seade nagu joonisel näidatud (vastavalt riiklikele vooluvõrgu pingele kehtivatele viitestandarditele).

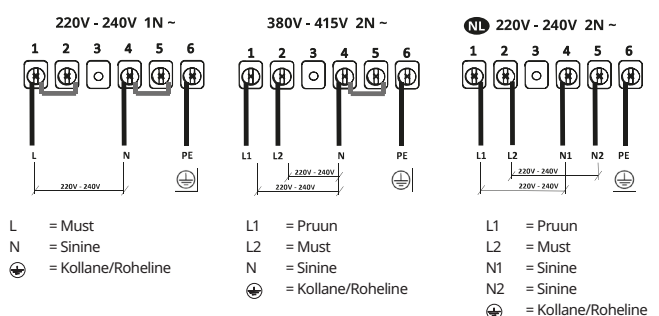
Majapoolne ühendusskeem



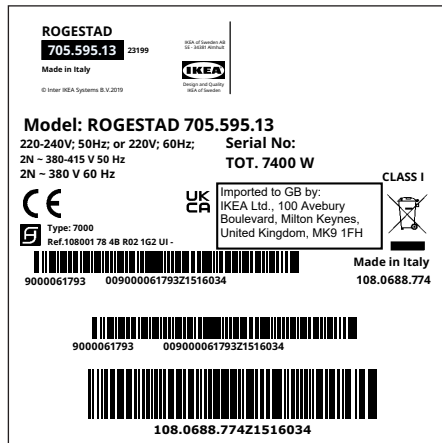
Ühendusskeem toote küljel



Viige šundid U näidatud viisil kruvide vahele



Andmeplaat



Ülaltoodud joonis kujutab seadme andmeplaati. Seerianumber on iga toote jaoks spetsiifiline. Lugupeetud kasutaja, hoidke täiendav andmeplaat kinnitatuna tootes oleva ohutusbrošüüri kaanele.

See võimaldab meil juhul, kui vajate tulevikus meie abi, teid paremini aidata, identifitseerides teie pliidi täpselt. Täname teid teie abi eest!

IKEA GARANTII

Kui kaua IKEA garantii kehtib?

See garantii kehtib viis (5) aastat alates teie seadme esialgse IKEAst ostmise kuupäevast. Ostutõendina on nõutav ostutšeki originaal. Garantii alusel hooldustööde teostamine ei pikenda seadme garantiiaega.

Kes teenust teostab?

Teenust pakub IKEA teenusepakkuja läbi oma teenindusoperatsioonide või volitatud teeninduspartnerite võrgustiku.

Mida see garantii katab?

Garantii katab seadme rikked, mille põhjuseks on vigane konstruktsioon või materjali vead alates IKEAst ostmise kuupäevast. See garantii kehtib ainult kodusele kasutamisele. Erandid on määratletud pealkirja all „Mida see garantii ei kata?“ Garantii perioodi jooksul kaetakse rikke kõrvaldamise kulud, st remont, osad, tööjõud ja transpordikulud, eeldusel et seade on remondiks ligipääsetav ilma erikuludeta. Nendel tingimustel rakenduvad EL juhised (nr 99/44/EÜ) ja vastavad kohalikud määrused. Asendatud osad saavad IKEA omandiks.

Mida IKEA probleemi kõrvaldamiseks teeb?

IKEA määratud teenusepakkuja vaatab teie toote üle ja otsustab oma ainuärarägemisel, kas see kuulub garantiikatte alla. Kui see loetakse kaetuks, siis IKEA teenusepakkuja või selle volitatud teeninduspartner oma teenindusoperatsioonide kaudu ja oma ainuärarägemisel kas remondib defektse toote või asendab selle sama või samaväärse tootega.

Mida see garantii ei kata?

- Normaalne kulumine.
- Sihilikud või hooletuse tõttu põhjustatud kahjustused, kasutusjuhiste eiramise, ebaõige paigaldamise või vale pingega ühendamise tõttu põhjustatud kahjustused, keemiliste või elektrokeemiliste reaktsioonide põhjustatud kahjustused, rooste, korrosioon või veekahjustused, sealhulgas, kuid

mitte ainult, kahjustused veetarne liigse lubjasalduse tõttu, ebatavaliste keskkonnatingimuste põhjustatud kahjustused.

- Kulumaterjalid, sealhulgas patareid ja elektripirnid.
- Mittefunktsionaalsed ja dekoratiivsed osad, mis ei mõjuta seadme tavapärasest kasutamisest, sealhulgas kõik kriimustused ja võimalikud värvuse erinevused.
- Juhuslikud kahjustused, mille põhjuseks on võõrkehade või -ained ning filtrite, äravoolusüsteemide või seesisatlitte puhastamine või nende ummistuste eemaldamine.
- Järgmiste osade kahjustused: keraamiline klaas, tarvikud, nõude ja söögiriistade sahtlid, toite- ja äravoolutorud, tihendid, lambid ja lampide katted, ekraanid, nupud, korpused ja korpuste osad. Välja arvatud juhul, kui on võimalik tõestada, et nende kahjustuste põhjuseks olid tootmisvead.
- Juhtumid, kus tehnika külastuse käigus ei olnud võimalik riket tuvastada.
- Remondid, mis ei ole teostatud meie määratud teenusepakkujate ja/või volitatud lepingulise teeninduspartneri poolt või kus kasutati mitte-originaalosasid.
- Remondid, mille põhjuseks on vigane või spetsifikatsioonidele mitte vastav elektrisüsteem.
- Seadme kasutamine mittekodus keskkonnas, st professionaalne kasutamine.
- Transpordikahjustused. Kui klient transpordib toote oma koju või muule aadressile, ei vastuta IKEA transpordi käigus tekkida võivate kahjustuste eest. Kui aga IKEA tarnib toote klienti tarneadressile, siis toote selle tarnimise käigus tekkinud kahjustused on käesoleva garantii poolt kaetud.
- IKEA seadme esmakordse paigaldamise teostamise kulud. Kui aga IKEA teenusepakkuja või selle volitatud teeninduspartner remondib või asendab seadme käesoleva garantii tingimuste alusel, siis vajadusel paigaldab teenusepakkuja või selle volitatud teeninduspartner remonditud seadme uuesti või paigaldab asendusseadme.

See piirang ei kehti kvalifitseeritud spetsialisti poolt meie originaalosasid kasutades teostatud rikketa tööde seadme

kohandamiseks mõne teise EL riigi tehnilise ohutuse spetsifikatsioonidele.

Kuidas riigi seadusandlus rakendub

IKEA garantii annab teile spetsiifilised juriidilised õigused, mis katavad või laiendavad kohalikke nõudeid. Siiski ei piira need tingimused mingil viisil kohalikus seadusandluses kirjeldatud tarbija õigusi

Kehtivusala

Ühes EL riigis ostetud ja teise EL riiki viidud seadmete puhul pakutakse teenuseid uues riigis tavapärase garantiitingimuste raamistikus. Kohustus teostada teenuseid garantii raamistikus eksisteerib ainult juhul, kui seade vastab ja on paigaldatud vastavalt järgmisele:

- tehnilised spetsifikatsioonid riigis, kus garantiinõue esitatakse;
- koostamisjuhised ja kasutusjuhendi ohutusteave;

IKEA seadmete pühendunud müüjäjärgne teenindus:

Palun ärge kõhelge võtta ühendust IKEA müüjäjärgse teenindusega, et:

1. esitada käesoleva garantii alusel teenindusnõue;
2. küsida selgitusi IKEA seadme paigaldamise kohta selleks mõeldud IKEA köögimööblisse. Teenindus ei paku selgitusi seoses:
 - IKEA köögi üldise paigaldamisega;
 - elektri (kui masin tarnitakse ilma pistiku ja kaablita), vee ja gaasiga ühendamise, kuna need tuleb teostada volitatud teenindusinseneri poolt.
3. küsida selgitusi kasutusjuhendi sisu ka IKEA seadme tehniliste andmete kohta.

Et tagada meie poolt parima abi pakkumine, lugege enne meie poole pöördumist palun hoolikalt käesoleva brošüüri koostamisjuhiste ja/või kasutusjuhendi jaotist.

Kuidas teeninduse vajaduse korral meiega ühendust võtta



IKEA määratud kontaktid ja vastavad riiklikud telefoninumbriid leiata käesoleva käsiraamatu viimaselt leheküljelt.

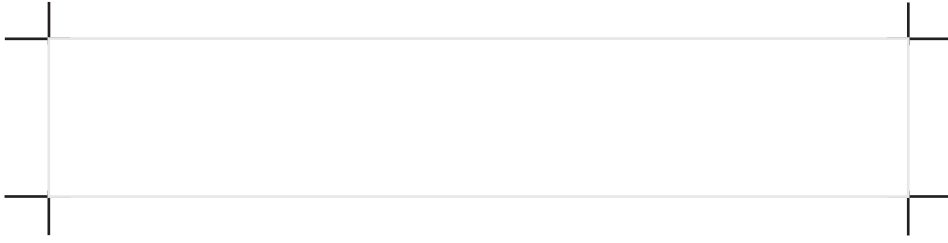
Tähtis! Et saaksime pakkuda teile kiiremat teenust, soovime teil kasutada käesoleva käsiraamatu lõpus toodud spetsiifilisi telefoninumbreid. Vaadake alati numbreid spetsiifilise seadme, mille juures te abi vajate, brošüüris toodud numbreid. Veenduge enne meile helistamist, et teil on käepärast seadme, mille juures te abi vajate, IKEA artikli number (8-kohaline kood).

Tähtis! HOIDKE OSTUTŠEKK ALLES! See on teie ostutõend ja nõutav garantii kehtimiseks. Pange tähele, et ostutšekil on toodud ka iga teie poolt ostetud seadme IKEA artikli nimi ja number (8-kohaline kood).

Kas vajate täiendavat abi?

Müüjäjärgse teeninduse või teie seadmetega mitte seotud täiendavate küsimuste puhul. Palun võtke ühendust lähima IKEA poe telefonikeskusega. Soovitame teil enne meie poole pöördumist hoolikalt lugeda seadme dokumentatsiooni.

Country name in local languages	Telephone number	Opening times
Australia	Victoria: (03) 8523 2154 New South Wales: (02) 5020 6641 Queensland: (07) 3380 6800 IKEA Perth: (08) 9201 4532 IKEA Adelaide: (08) 8154 4532	
Österreich	13602771461	Mo-Fr: 8 - 20
België / Belgique	26200311	Ma-Vr: 8 - 20 / Lun-Ven: 8 - 20
България	02 4003536	Пон-Пт: 8 - 20
Canarias	913754126	Lunes-Viernes: 8 - 20
Κύπρος	http://www.ikea.com	8 - 20
Hrvatska	0800 3636	Pon-Pet: 8 - 20
Česká republika	225376400	Po-Pá: 8 - 20
Danmark	70150909	Man.-Fre.: 9 - 20
Eesti	http://www.ikea.com	E-R: 8 - 20
Suomi	981710374	Lu-Ve: 8 - 20
France	170480513	Lun-Ven: 9 - 21
Deutschland	6929993602	Mo-Fr: 8 - 20
Great Britain	2076601517	Mon-Fri: 8 - 20
Ελλάδα	2109696497	Δευτ-Παρ: 8 - 20
Magyarország	(06-1)-3285308	Hétfő-Péntek: 8 - 20
Italia	+39 02/38591334	Lun-Ven: 8 - 20
Ireland	2076601517	Mon-Fri: 8 - 20
Ísland	5852409	Mánudagur-Föstudagur Kl.: 8 - 20
Latvija	http://www.ikea.com	P. - Pk.: 8 - 20
Lietuva	(0) 520 511 35	Pirm.-Penkt.: 8 - 20
Mayorca	913754126	Lunes-Viernes: 8 - 20
Malta	+356 (0)25464000	Mon-Fri: 8 - 20
Norge	23500112	Man-Fre: 8 - 20
Nederland	050-7111267 / +31 507111267	Ma-Vr: 8 - 20
Polska	225844203	Poniedziałek-Piątek: 8 - 20
Portugal	213164011	Seg.-Sex.: 9 - 21
România	021 2044888	Luni-Vineri: 8 - 20
Россия	84957059426	Пон-Пятн: 9 - 21
Србија	011 7 555 444	Пон-Пет: 8 - 20
Slovensko	(02) 50102658	Pon-Pia: 8 - 20
Slovenija	+386-1-8107781	Ponedeljek-Petek: 8 - 20
España	913754126	Lunes-Viernes: 8 - 20
Sverige	0775-700 500	Mån-Fre: 8 - 20
Schweiz / Suisse / Svizzera (Ticino)	225675345	8 bis 20 Werkstage / Lun-Ven: 8 - 20
Türkiye	+90/262/644 65 95	Pzt-Cuma: 8 - 20
Україна	http://www.ikea.com	Понеділок-П'ятниця: 8 - 20
Maroc / المغرب	+212 (5) 20100900 www.ikea.com	



991.0690.783_03 - 230717
D00008978_02

